

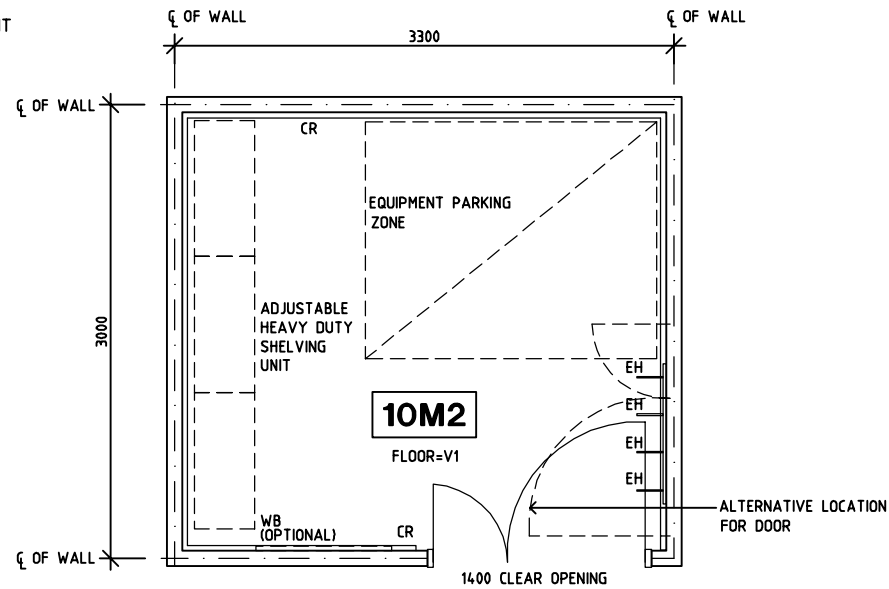
SHARJAH HEALTHCARE CITY STANDARD COMPONENTS

Room Layout Sheet

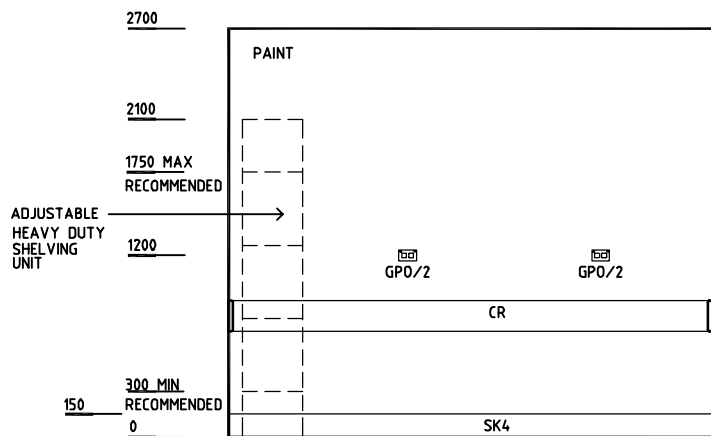
Room Name **Store - Equipment, 10m2**

RLS Room Code **STEQ-10-SJ**
RDS Room Code **STEQ-10-SJ**

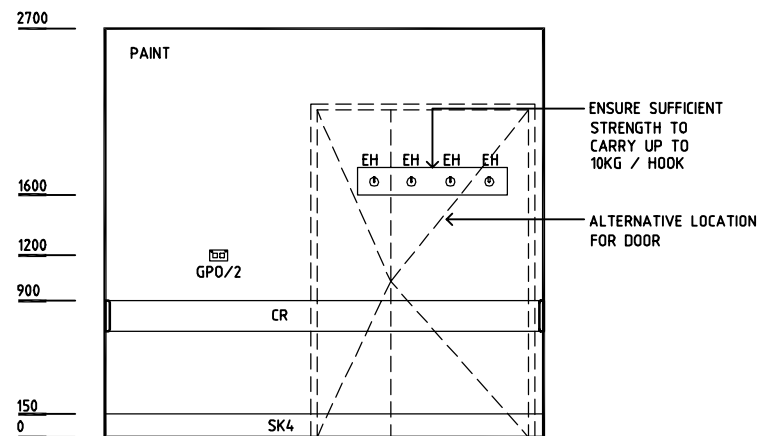
- CR CRASH RAIL
- DP DOOR AND FRAME PROTECTION
- EH EQUIPMENT HOOK
- GPO/2 GENERAL POWER OUTLET-DOUBLE
- LS/R LIGHT SWITCH - ROOM
- SK4 FLOOR VINYL COVED SKIRTING
- V1 VINYL FLOORING - STANDARD SLIP RESISTANT
- WB WHITE BOARD



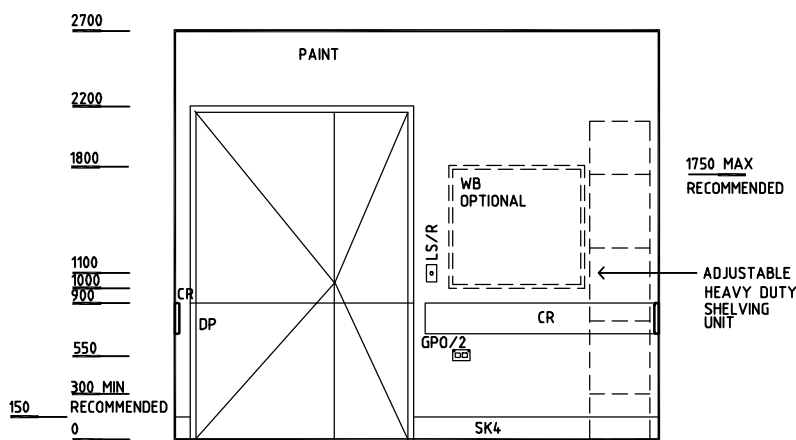
PLAN



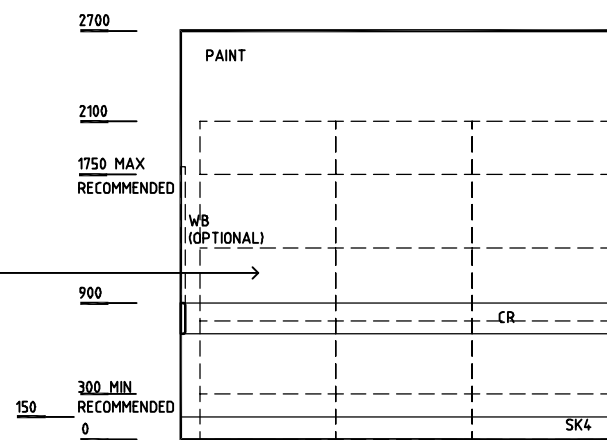
ELEVATION 1



ELEVATION 2



ELEVATION 3



ELEVATION 4

| REV | DESCRIPTION | DATE | BY | REV | DESCRIPTION | DATE | BY | REV | DESCRIPTION | DATE | BY |
|-----|-------------|------------|----|-----|-------------|------|----|-----|-------------|------|----|
| 1 | FIRST ISSUE | 14.03.2014 | AA | | | | | | | | |



Sharjah Health Facility Guidelines at:
www.healthdesign.com.au/shcc/hfg
Editable version of Standard Components on
Health Facility Briefing System (HFBS) at:
www.healthdesign.com.au
Provided by TAHPI

| DESIGNED | APPROVED | DATE | SCALE(S) | SHEET |
|---------------|----------|------------------|------------|--------|
| CC | DB | 30.12.13 | 1:50 in A3 | 1 of 1 |
| CAD FILE NAME | | PAPER DRAWING ID | | ISSUE |
| STEQ-10-SJ | | STEQ-10-SJ | | 1 |

This document is for advisory purpose only