

# SHARJAH HEALTHCARE CITY STANDARD COMPONENTS

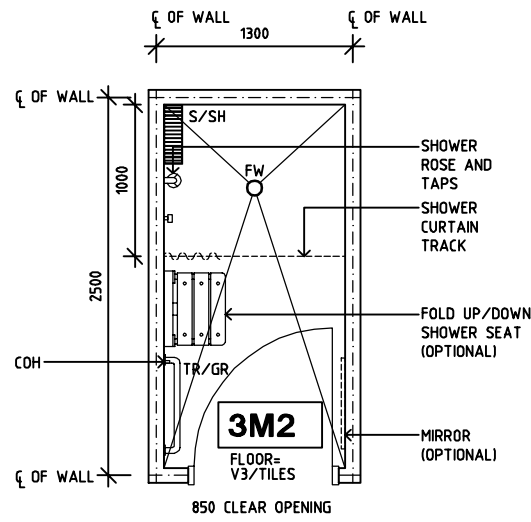
Room Layout Sheet

Room Name **Shower - Staff**

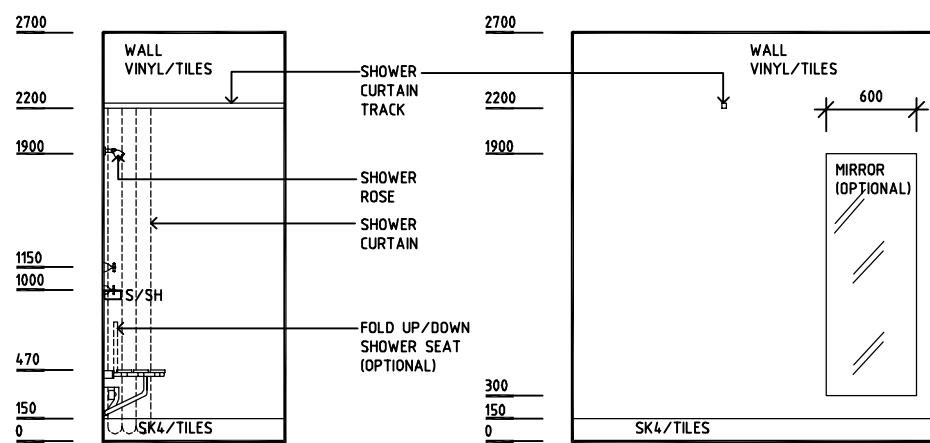
RLS Room Code **SHST-SJ**

RDS Room Code **SHST-SJ**

- COH COAT HOOK
- FW FLOOR WASTE
- GR GRAB RAIL
- LS/R LIGHT SWITCH - ROOM
- SK4 FLOOR VINYL COVERED SKIRTING
- S/SH SOAP AND SHAMPOO HOLDER
- TR TOWEL RAIL
- V3 VINYL FLOORING, NON-SLIP - STUDDED

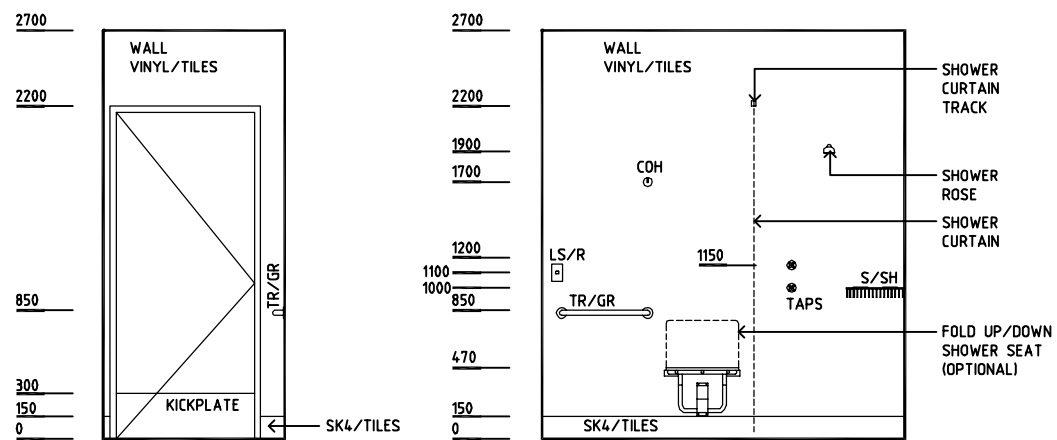


**PLAN**



**ELEVATION 1**

**ELEVATION 2**



**ELEVATION 3**

**ELEVATION 4**

| REV | DESCRIPTION | DATE       | BY | REV | DESCRIPTION | DATE | BY | REV | DESCRIPTION | DATE | BY |
|-----|-------------|------------|----|-----|-------------|------|----|-----|-------------|------|----|
| 1   | FIRST ISSUE | 14.03.2014 | AA |     |             |      |    |     |             |      |    |

|         |               |          |                  |            |        |
|---------|---------------|----------|------------------|------------|--------|
|         | DESIGNED      | APPROVED | DATE             | SCALE(S)   | SHEET  |
|         | CC            | DB       | 30.12.13         | 1:50 in A3 | 1 of 1 |
|         | CAD FILE NAME |          | PAPER DRAWING ID |            | ISSUE  |
| SHST-SJ |               | SHST-SJ  |                  | 1          |        |

Sharjah Health Facility Guidelines at:  
[www.healthdesign.com.au/shcc/hfg](http://www.healthdesign.com.au/shcc/hfg)  
 Editable version of Standard Components on  
 Health Facility Briefing System (HFBS) at:  
[www.healthdesign.com.au](http://www.healthdesign.com.au)  
 Provided by TAHPI