

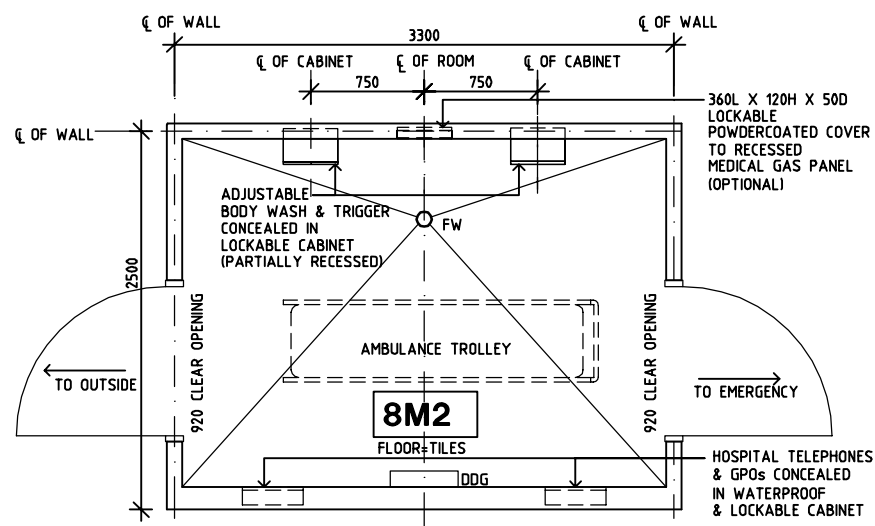
SHARJAH HEALTHCARE CITY STANDARD COMPONENTS

Room Layout Sheet

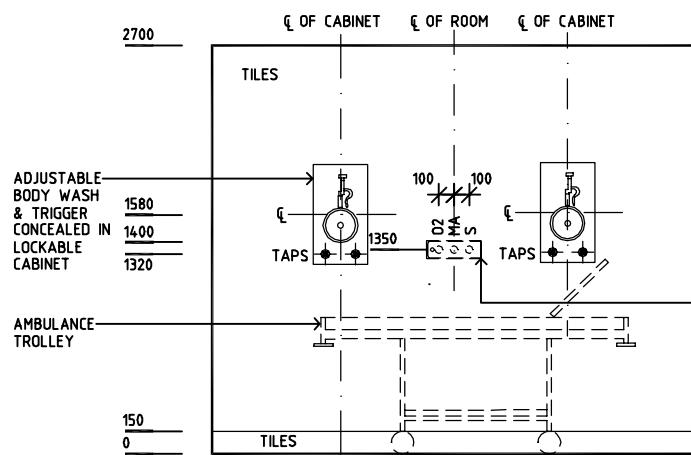
Room Name **Shower - Decontamination**

RLS Room Code **SHDEC-SJ**
RDS Room Code **SHDEC-SJ**

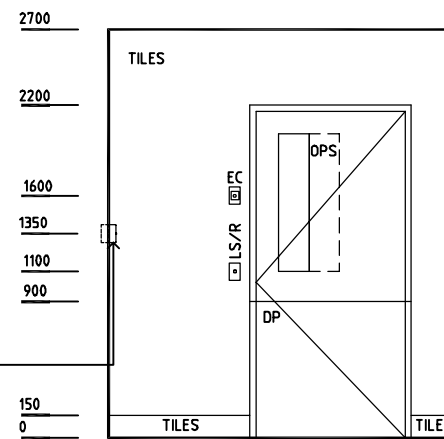
- DDG DISPENSER - DISPOSABLE GLOVES
- DP DOOR AND FRAME PROTECTION
- EC EMERGENCY CALL
- FW FLOOR WASTE
- GPO/1 GENERAL POWER OUTLET - SINGLE
- LS/R LIGHT SWITCH - ROOM
- MA MEDICAL AIR
- MGP MEDICAL GAS ALARM PANEL
- OPS OBSERVATION PANEL - SLIDING COVER
- O2 OXYGEN
- S SUCTION
- SK4 FLOOR VINYL COVED SKIRTING



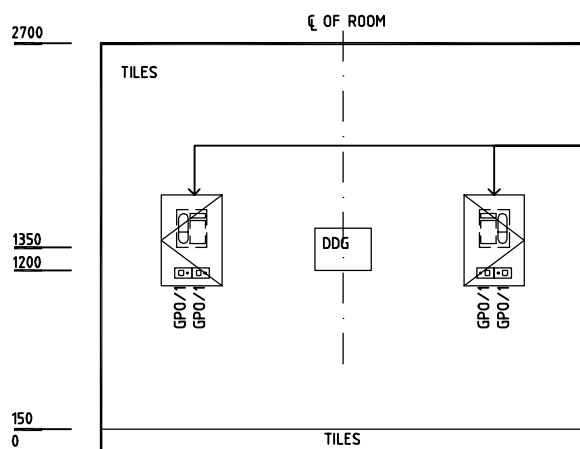
PLAN



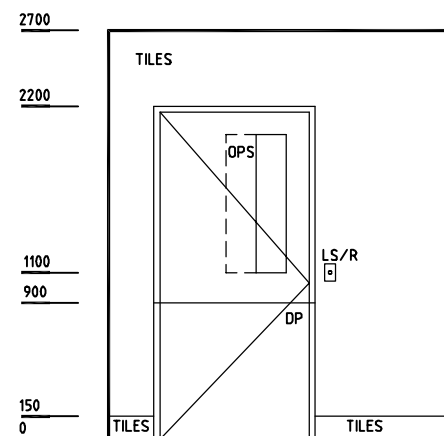
ELEVATION 1



ELEVATION 2



ELEVATION 3



ELEVATION 4

REV	DESCRIPTION	DATE	BY	REV	DESCRIPTION	DATE	BY	REV	DESCRIPTION	DATE	BY
1	FIRST ISSUE	14.03.2014	AA								



Sharjah Health Facility Guidelines at:
www.healthdesign.com.au/shcc/hfg
Editable version of Standard Components on
Health Facility Briefing System (HFBS) at:
www.healthdesign.com.au
Provided by TAHPI

DESIGNED	APPROVED	DATE	SCALE(S)	SHEET
CC	DB	30.12.13	1:50 in A3	1 of 1
CAD FILE NAME		PAPER DRAWING ID		ISSUE
SHDEC-SJ		SHDEC-SJ		1

This document is for advisory purpose only