

# SHARJAH HEALTHCARE CITY STANDARD COMPONENTS

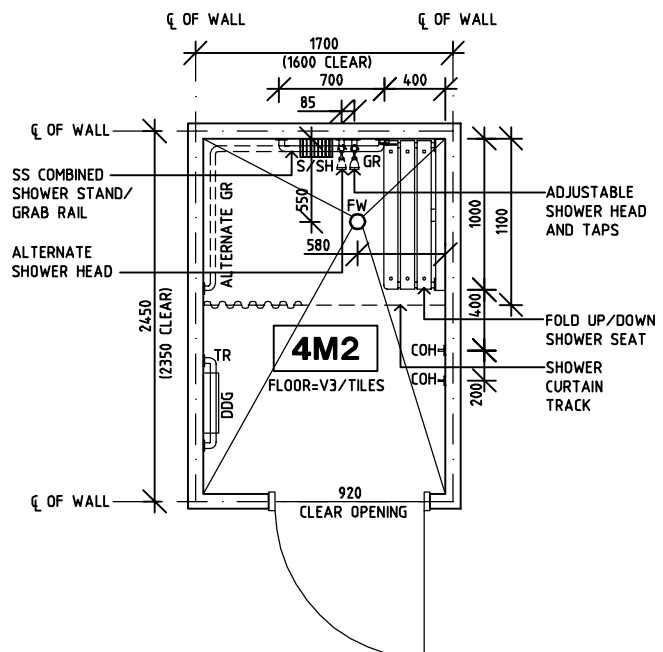
Room Layout Sheet

Room Name **Shower - Accessible, 4m2**

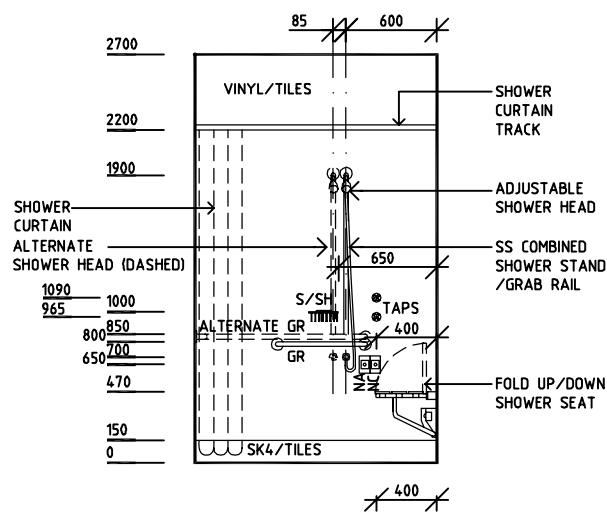
RLS Room Code **SHD-SJ**

RDS Room Code **SHD-SJ**

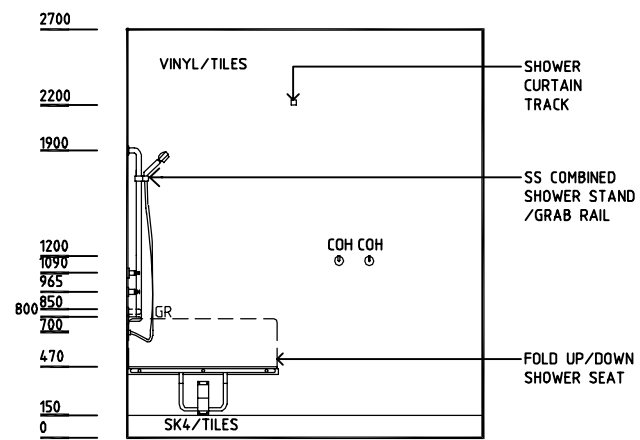
- COH COAT HOOK
- DDG DISPENSER - DISPOSABLE GLOVE
- DP DOOR AND DOOR FRAME PROTECTION
- EC EMERGENCY CALL
- FW FLOOR WASTE
- GR GRAB RAIL
- LS/R LIGHT SWITCH - ROOM
- NA NURSE ASSIST CALL
- NC PATIENT/NURSE CALL
- S/SH SOAP AND SHAMPOO HOLDER
- SS STAINLESS STEEL
- SK4 FLOOR VINYL COVERED SKIRTING
- TR TOWEL RAIL
- V3 VINYL FLOORING, NON-SLIP - STUDDED



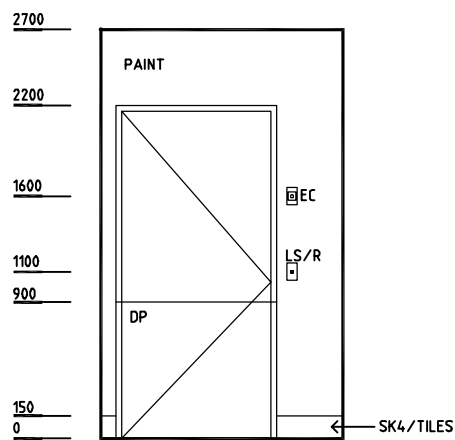
**PLAN**



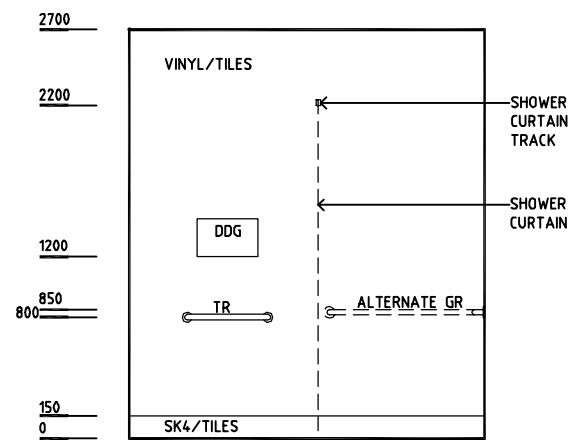
**ELEVATION 1**



**ELEVATION 2**



**ELEVATION 3**



**ELEVATION 4**

REV	DESCRIPTION	DATE	BY	REV	DESCRIPTION	DATE	BY	REV	DESCRIPTION	DATE	BY
1	FIRST ISSUE	14.03.2014	AA								



Sharjah Health Facility Guidelines at:  
[www.healthdesign.com.au/shcc/hfg](http://www.healthdesign.com.au/shcc/hfg)  
 Editable version of Standard Components on  
 Health Facility Briefing System (HFBS) at:  
[www.healthdesign.com.au](http://www.healthdesign.com.au)  
 Provided by TAHPI

DESIGNED	APPROVED	DATE	SCALE(S)	SHEET
CC	DB	30.12.13	1:50 in A3	1 of 1
CAD FILE NAME		PAPER DRAWING ID		ISSUE
SHD-SJ		SHD-SJ		1

This document is for advisory purpose only