

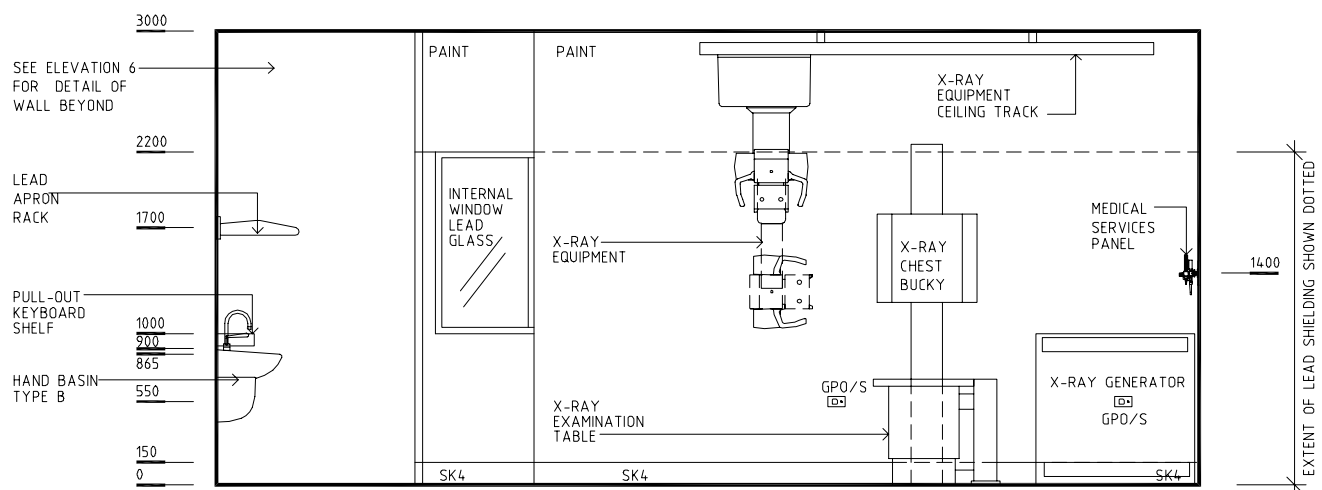
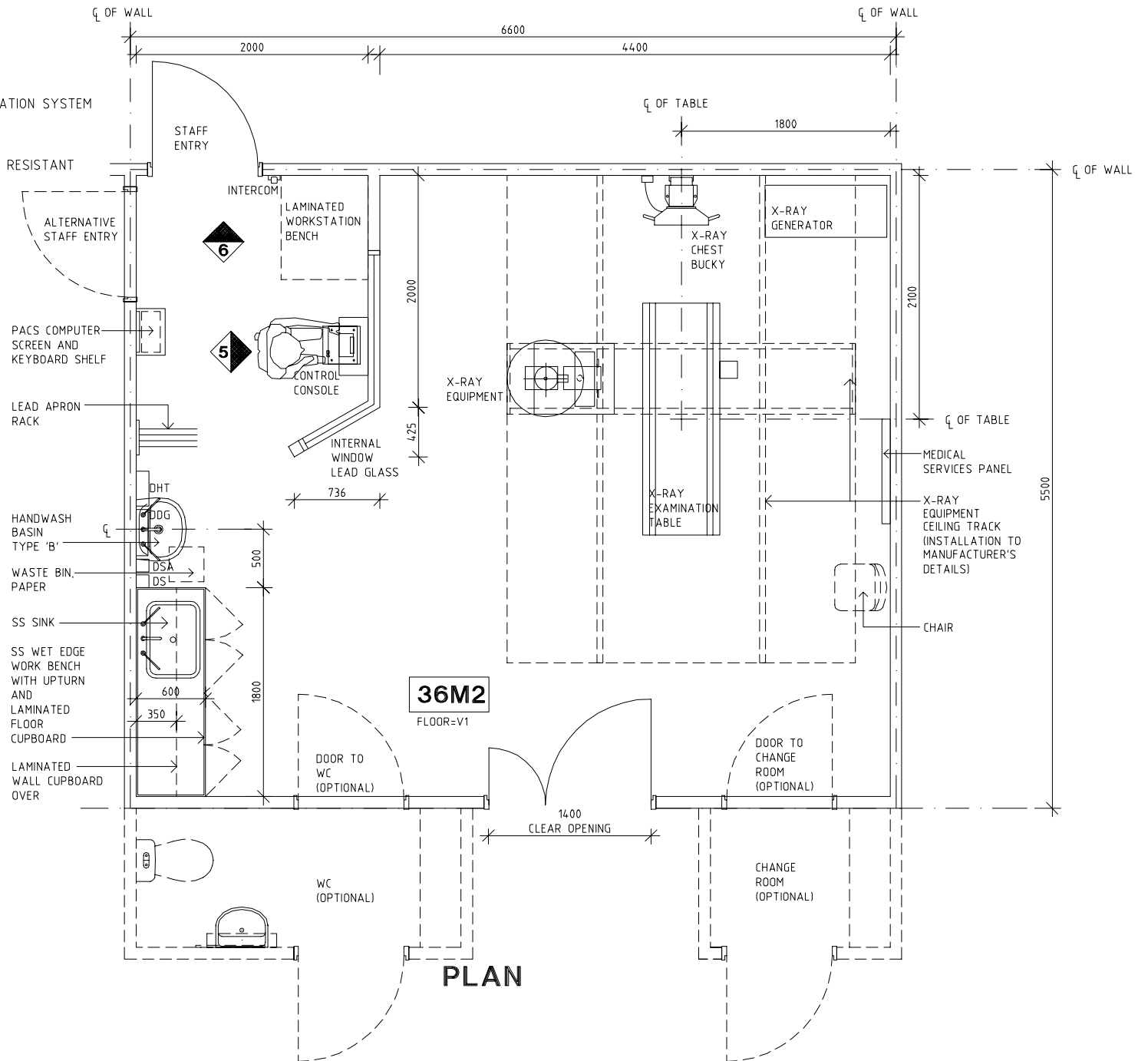
# SHARJAH HEALTHCARE CITY STANDARD COMPONENTS

Room Layout Sheet

Room Name **Screening Room (Fluoroscopy)**

RLS Room Code **SCRN-SJ**  
RDS Room Code **SCRN-SJ**

- AS ADJUSTABLE SHELVES
- COM/2 COMMUNICATION OUTLET - DOUBLE
- DDG DISPENSER - DISPOSABLE GLOVE
- DHT DISPENSER - HAND TOWEL
- DS DISPENSER - SOAP
- DSA DISPENSER - SOAP ANTISEPTIC
- DP DOOR AND DOOR FRAME PROTECTION
- EC EMERGENCY CALL
- GPO/1 GENERAL POWER OUTLET - SINGLE
- GPO/1 EP EMERGENCY POWER OUTLET - SINGLE
- GPO/2 GENERAL POWER OUTLET - DOUBLE
- GPO/S GENERAL POWER OUTLET - SPECIAL SINGLE
- LS/R LIGHT SWITCH - ROOM
- LS/CH LIGHT SWITCH - CHANGE ROOM
- LS/WC LIGHT SWITCH - WC
- MA MEDICAL AIR
- NA NURSE ASSIST CALL
- O2 OXYGEN
- PACS PICTURE ARCHIVE AND COMMUNICATION SYSTEM
- S SUCTION
- SK4 FLOOR VINYL COVERED SKIRTING
- SS STAINLESS STEEL
- V1 VINYL FLOORING STANDARD SLIP RESISTANT



**ELEVATION 1**

REV	DESCRIPTION	DATE	BY	REV	DESCRIPTION	DATE	BY	REV	DESCRIPTION	DATE	BY
1	FIRST ISSUE	14.03.2014	AA								



**SHCC Guidelines**

Sharjah Health Facility Guidelines at:  
www.healthdesign.com.au/shccfg  
Editable version of Standard Components on  
Health Facility Briefing System (HFBS) at:  
www.healthdesign.com.au  
Provided by TAHPI

DESIGNED	APPROVED	DATE	SCALE(S)	SHEET
CC	DB	30.12.13	1:50 in A3	1 of 2
CAD FILE NAME		PAPER DRAWING ID		ISSUE
SCRN-SJ		SCRN-SJa		1

This document is for advisory purpose only

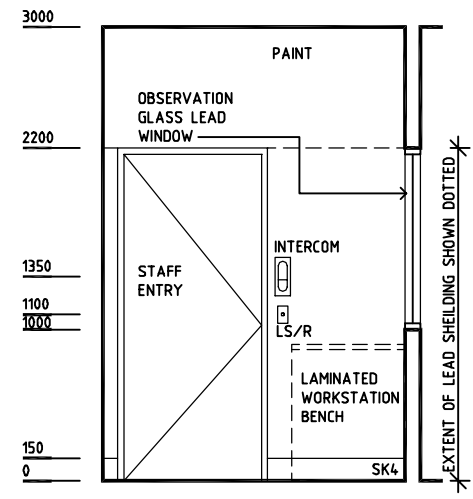
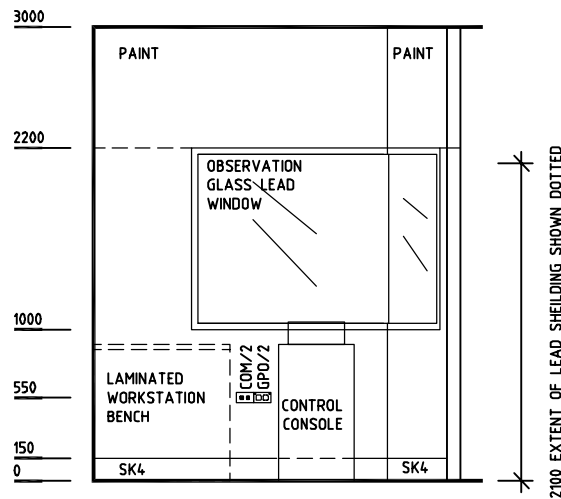
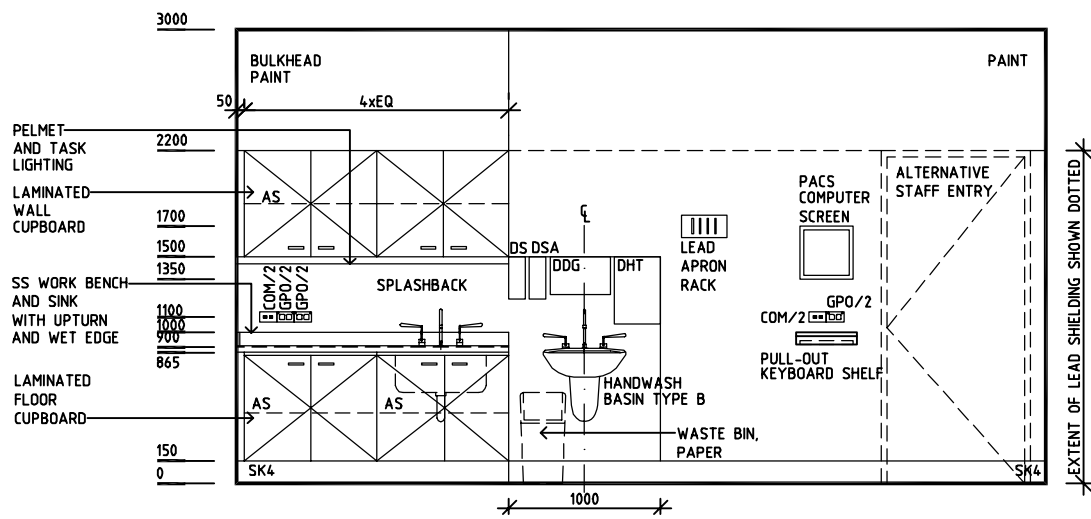
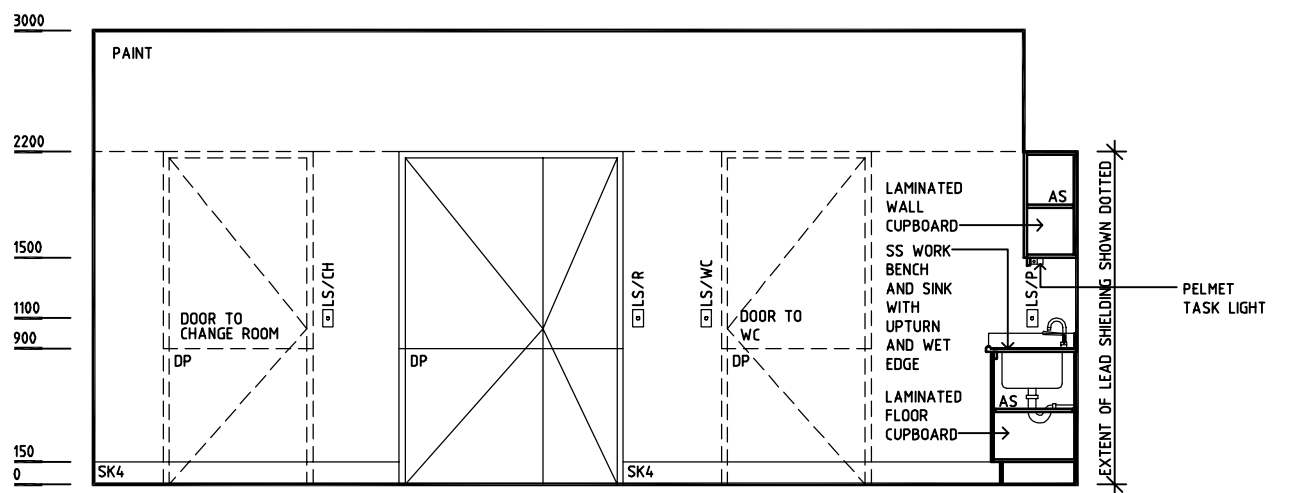
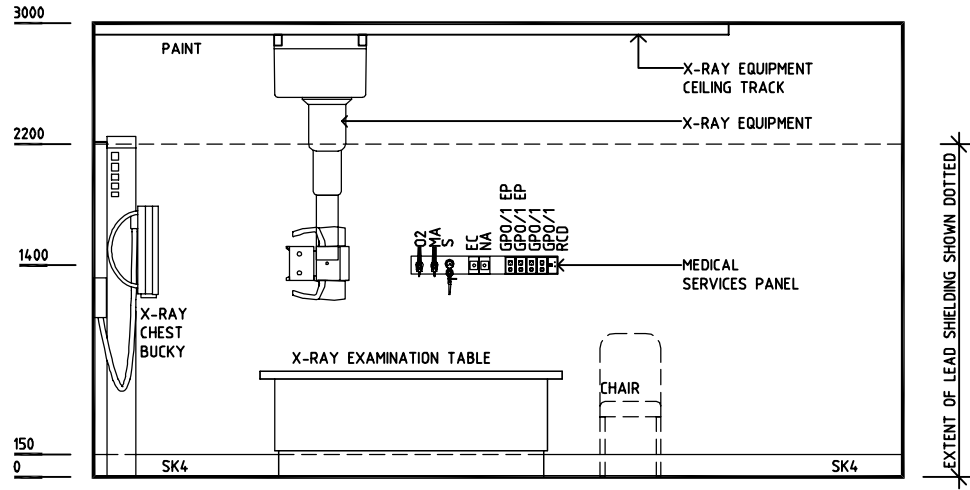
# SHARJAH HEALTHCARE CITY STANDARD COMPONENTS

Room Layout Sheet

Room Name **Screening Room (Fluoroscopy)**

RLS Room Code **SCRN-SJ**  
RDS Room Code **SCRN-SJ**

- AS ADJUSTABLE SHELVES
- COM/2 COMMUNICATION OUTLET - DOUBLE
- DDG DISPENSER - DISPOSABLE GLOVE
- DHT DISPENSER - HAND TOWEL
- DS DISPENSER - SOAP
- DSA DISPENSER - SOAP ANTISEPTIC
- DP DOOR AND DOOR FRAME PROTECTION
- EC EMERGENCY CALL
- GPO/1 GENERAL POWER OUTLET - SINGLE
- GPO/1 EP EMERGENCY POWER OUTLET - SINGLE
- GPO/2 GENERAL POWER OUTLET - DOUBLE
- GPO/S GENERAL POWER OUTLET - SPECIAL SINGLE
- LS/R LIGHT SWITCH - ROOM
- LS/CH LIGHT SWITCH - CHANGE ROOM
- LS/WC LIGHT SWITCH - WC
- MA MEDICAL AIR
- NA NURSE ASSIST CALL
- O2 OXYGEN
- PACS PICTURE ARCHIVE AND COMMUNICATION SYSTEM
- S SUCTION
- SK4 FLOOR VINYL COVED SKIRTING
- SS STAINLESS STEEL
- V1 VINYL FLOORING STANDARD SLIP RESISTANT



**ELEVATION 5**

**ELEVATION 6**

REV	DESCRIPTION	DATE	BY	REV	DESCRIPTION	DATE	BY	REV	DESCRIPTION	DATE	BY
1	FIRST ISSUE	14.03.2014	AA								



Sharjah Health Facility Guidelines at:  
www.healthdesign.com.au/shcc/hfg  
Editable version of Standard Components on  
Health Facility Briefing System (HFBS) at:  
www.healthdesign.com.au  
Provided by TAHPI

DESIGNED	APPROVED	DATE	SCALE(S)	SHEET
CC	DB	30.12.13	1:50 in A3	2 of 2
CAD FILE NAME		PAPER DRAWING ID		ISSUE
SCRN-SJ		SCRN-SJb		1

This document is for advisory purpose only