

# SHARJAH HEALTHCARE CITY STANDARD COMPONENTS

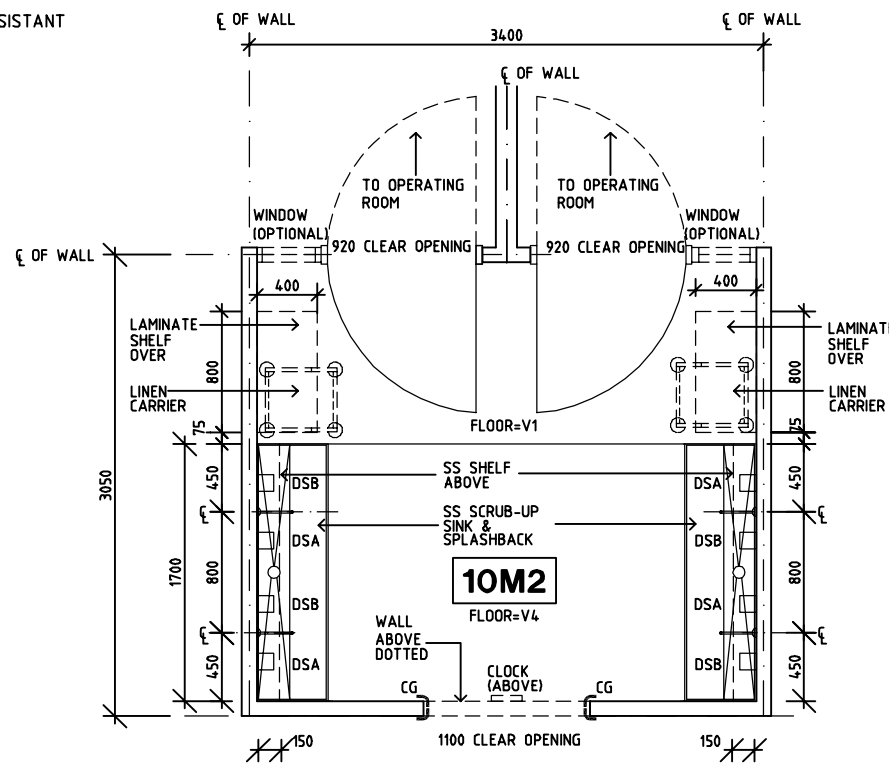
Room Layout Sheet

Room Name **Scrub Up/ Gowning - Shared**

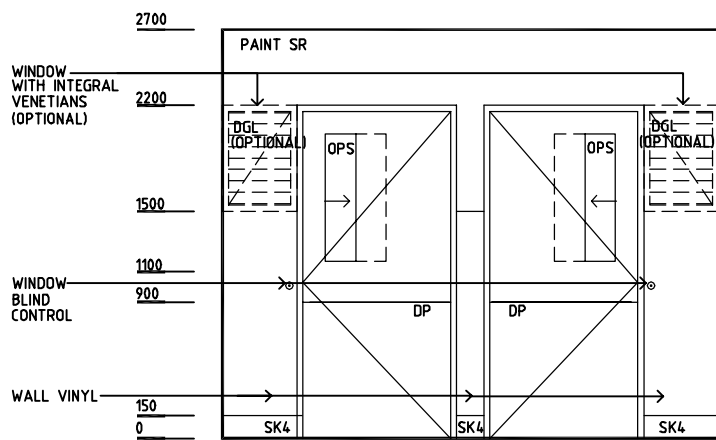
RLS Room Code **SCRBS-SJ**

RDS Room Code **SCRBS-SJ**

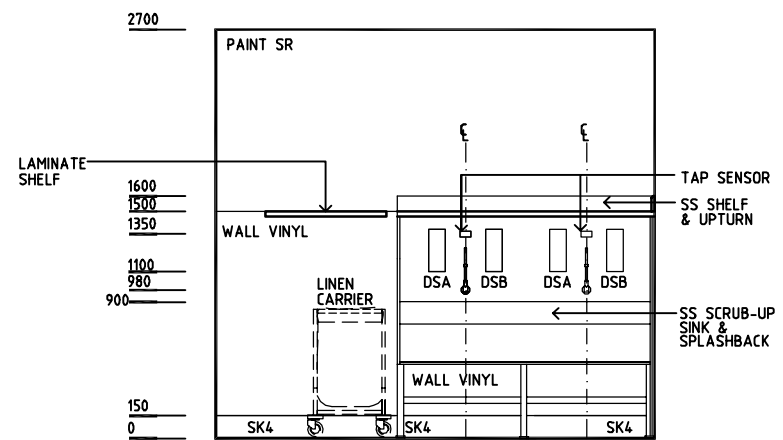
- CG CORNER GUARD
- DGL DOUBLE GLAZED
- DSA DISPENSER - SOAP ANTISEPTIC
- DSB DISPENSER - SCRUB BRUSH
- DP DOOR AND DOOR FRAME PROTECTION
- GPO/1 GENERAL POWER OUTLET-SINGLE
- OPS OBSERVATION PANEL WITH SLIDING COVER
- SK4 FLOOR VINYL COVERED SKIRTING
- SR SCRUB RESISTANT
- SS STAINLESS STEEL
- V1 VINYL FLOORING STANDARD SLIP RESISTANT
- V4 VINYL FLOORING NON SLIP SAFETY



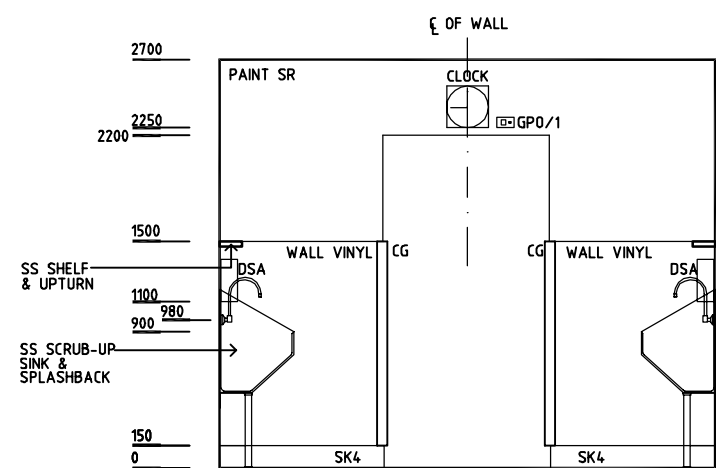
**PLAN**



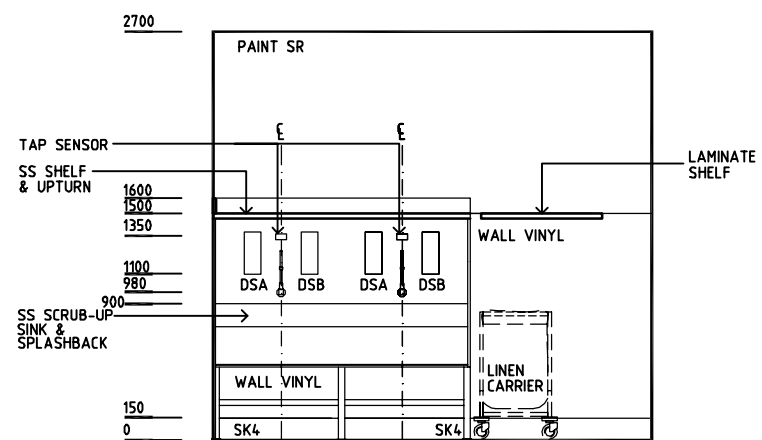
**ELEVATION 1**



**ELEVATION 2**



**ELEVATION 3**



**ELEVATION 4**

REV	DESCRIPTION	DATE	BY	REV	DESCRIPTION	DATE	BY	REV	DESCRIPTION	DATE	BY
1	FIRST ISSUE	14.03.2014	AA								



Sharjah Health Facility Guidelines at:  
[www.healthdesign.com.au/shccfg](http://www.healthdesign.com.au/shccfg)  
 Editable version of Standard Components on  
 Health Facility Briefing System (HFBS) at:  
[www.healthdesign.com.au](http://www.healthdesign.com.au)  
 Provided by TAHPI

DESIGNED	APPROVED	DATE	SCALE(S)	SHEET
CC	DB	30.12.13	1:50 in A3	1 of 1
CAD FILE NAME		PAPER DRAWING ID		ISSUE
SCRBS-SJ		SCRBS-SJ		1

This document is for advisory purpose only