

SHARJAH HEALTHCARE CITY STANDARD COMPONENTS

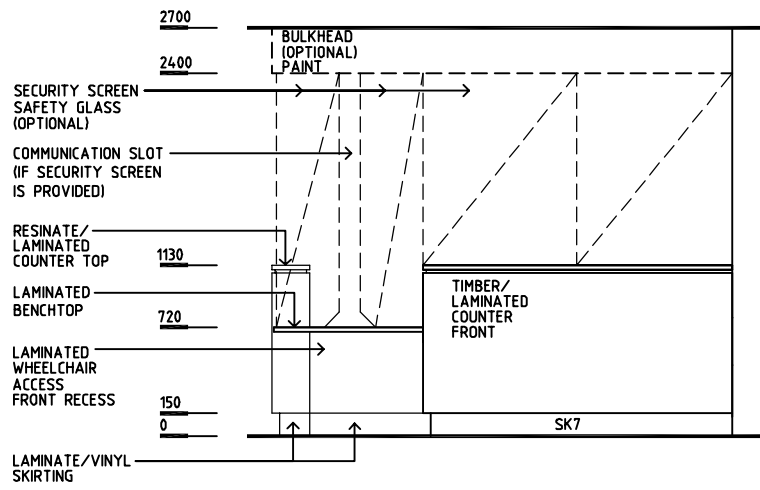
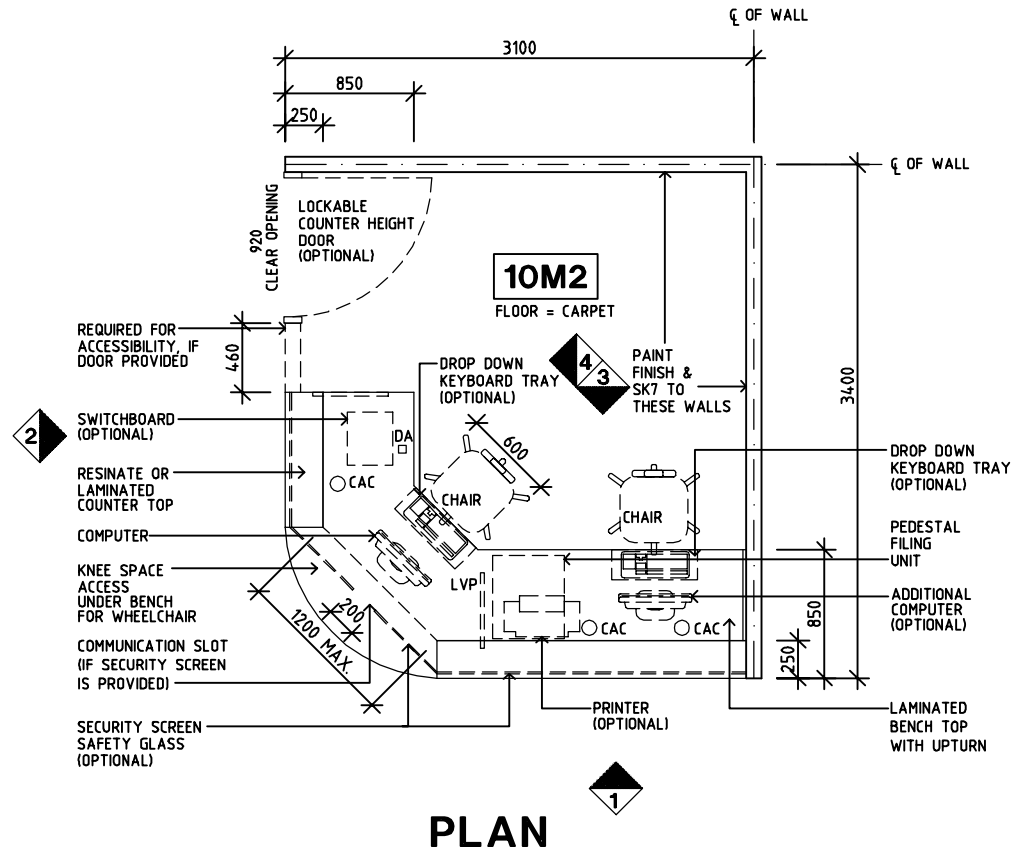
Room Layout Sheet

Room Name Reception / Clerical, 10m2

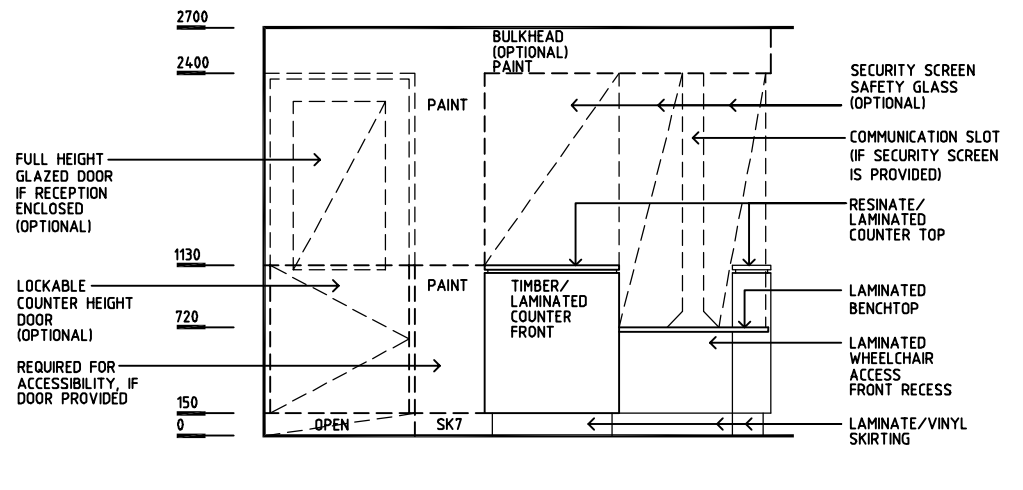
RLS Room Code RECL-10-SJ

RDS Room Code RECL-10-SJ

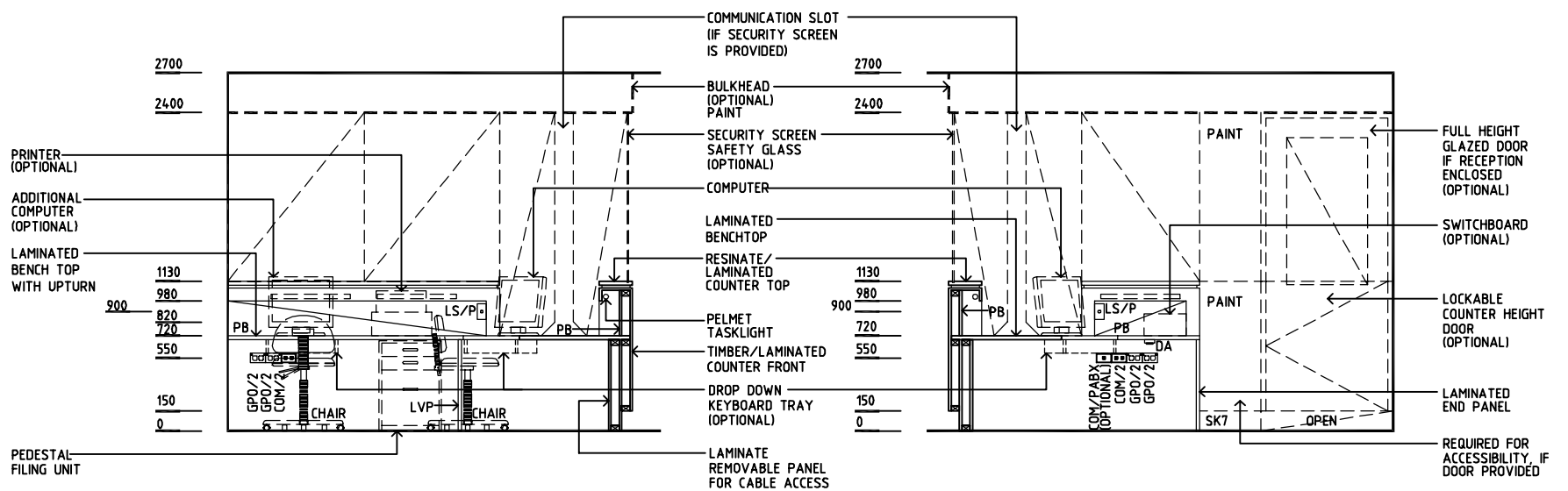
- CAC CABLE ACCESS CAP
- COM/PABX COMMUNICATION OUTLET FOR PABX
- COM/2 COMMUNICATION OUTLET - DOUBLE
- DA DURESS ALARM
- GP0/2 GENERAL POWER OUTLET - DOUBLE
- LS/P LIGHT SWITCH - PELMET TASK LIGHT
- LVP LAMINATED VERTICAL SUPPORT PANEL
- PB PINBOARD
- SK7 TIMBER SKIRTING



ELEVATION 1



ELEVATION 2



ELEVATION 3

ELEVATION 4

REV	DESCRIPTION	DATE	BY	REV	DESCRIPTION	DATE	BY	REV	DESCRIPTION	DATE	BY
1	FIRST ISSUE	14.03.2014	AA								



Sharjah Health Facility Guidelines at:
www.healthdesign.com.au/shccfg
 Editable version of Standard Components on
 Health Facility Briefing System (HFBS) at:
www.healthdesign.com.au
 Provided by TAHPI

DESIGNED	APPROVED	DATE	SCALE(S)	SHEET
CC	DB	30.12.13	1:50 in A3	1 of 1
CAD FILE NAME		PAPER DRAWING ID		ISSUE
RECL-10-SJ		RECL-10-SJ		1

This document is for advisory purpose only