

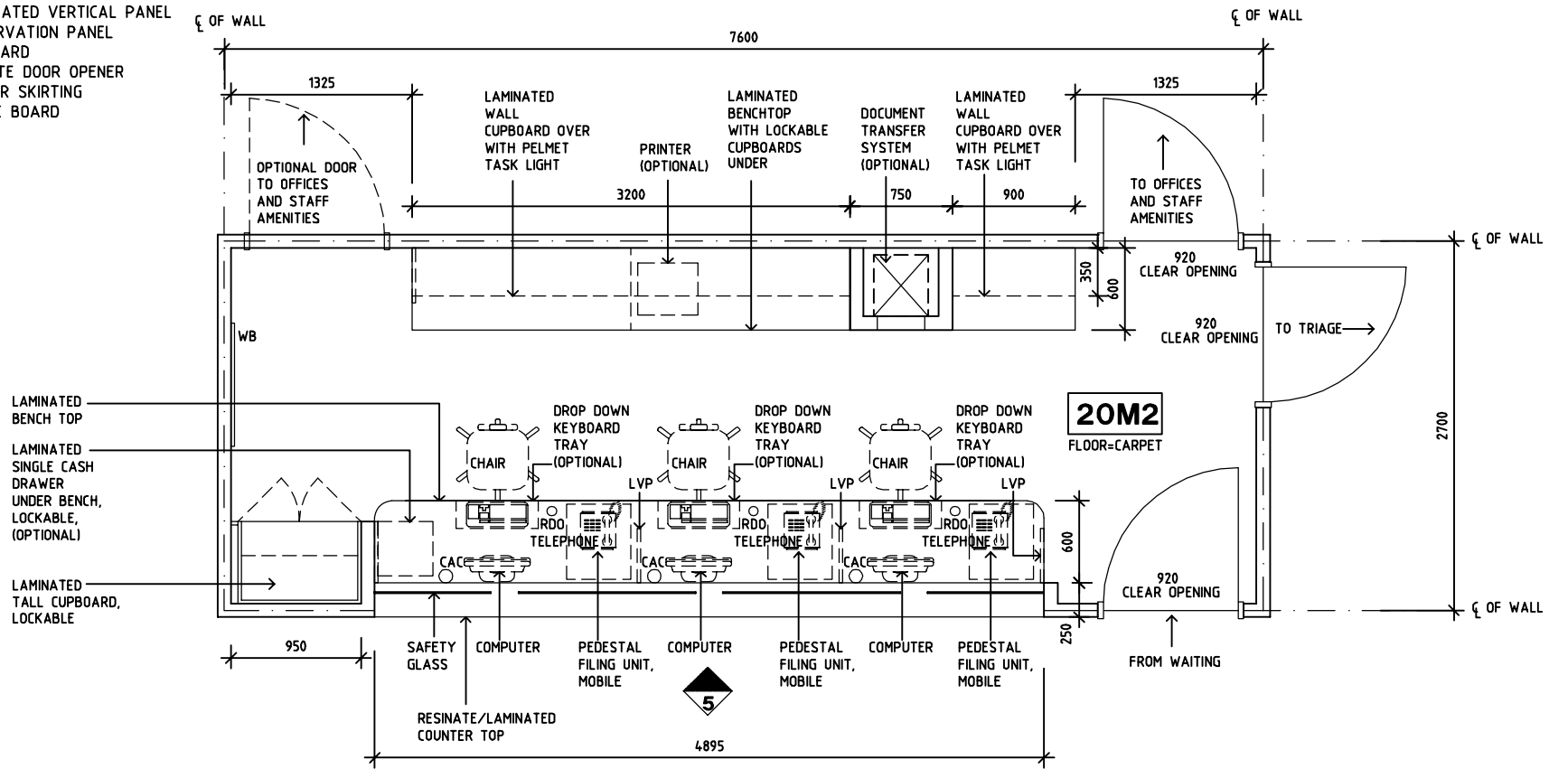
SHARJAH HEALTHCARE CITY STANDARD COMPONENTS

Room Layout Sheet

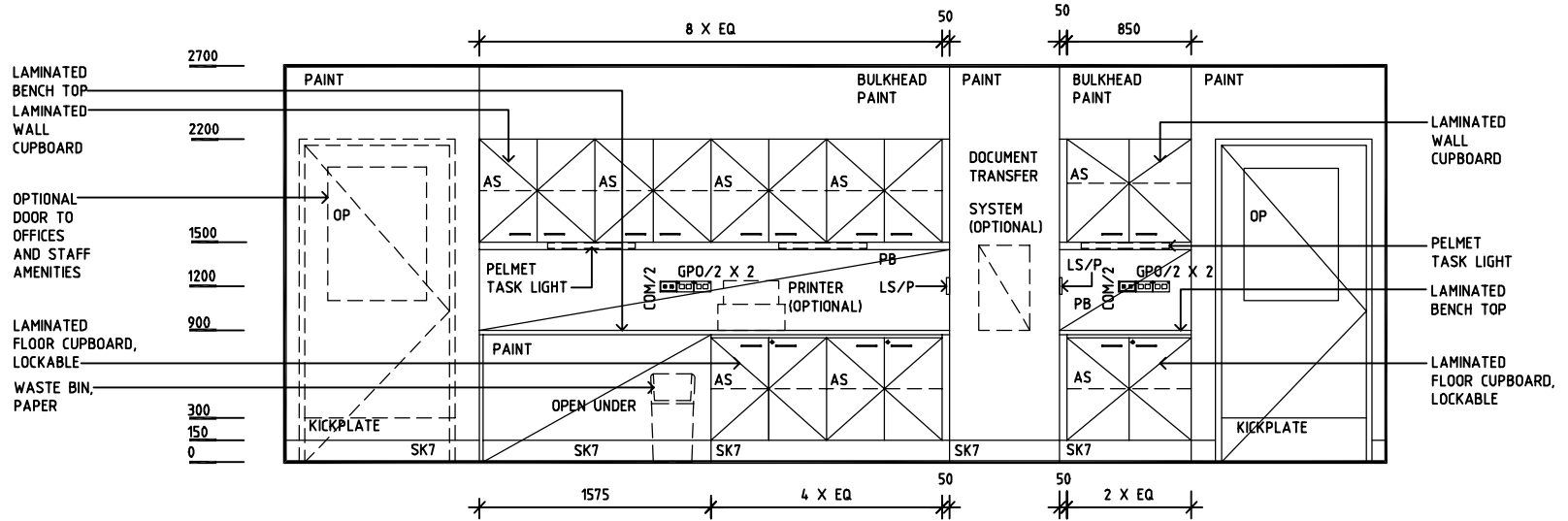
Room Name **Reception (Emergency), 20m2**

RLS Room Code **REC-E-SJ**
RDS Room Code **REC-E-SJ**

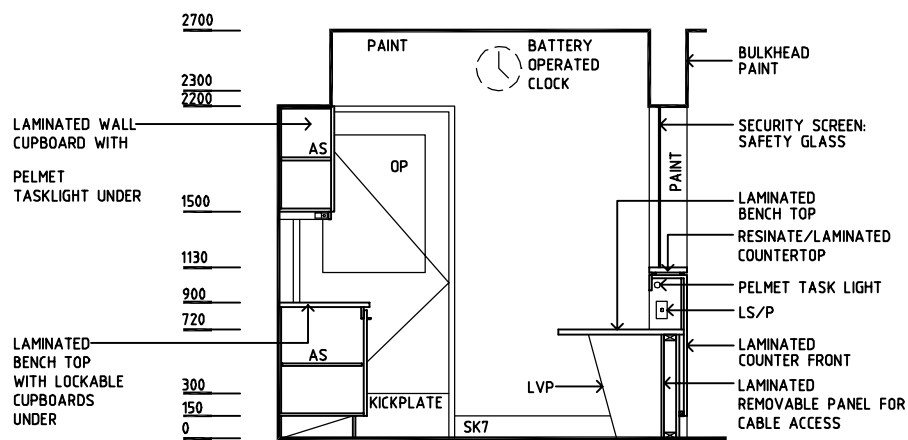
- AS ADJUSTABLE SHELF
- CAC CABLE ACCESS CAP
- COM/1 COMMUNICATION OUTLET - SINGLE
- COM/2 COMMUNICATION OUTLET - DOUBLE
- DA DURESS ALARM
- GPO/1 GENERAL POWER OUTLET - SINGLE
- GPO/2 GENERAL POWER OUTLET - DOUBLE
- LS/R LIGHT SWITCH - ROOM
- LS/P LIGHT SWITCH - PELMET TASK LIGHT
- LVP LAMINATED VERTICAL PANEL
- OP OBSERVATION PANEL
- PB PINBOARD
- RDO REMOTE DOOR OPENER
- SK7 TIMBER SKIRTING
- WB WHITE BOARD



PLAN



ELEVATION 1



ELEVATION 2

REV	DESCRIPTION	DATE	BY	REV	DESCRIPTION	DATE	BY	REV	DESCRIPTION	DATE	BY
1	FIRST ISSUE	14.03.2014	AA								



Sharjah Health Facility Guidelines at:
www.healthdesign.com.au/shccfg
Editable version of Standard Components on
Health Facility Briefing System (HFBS) at:
www.healthdesign.com.au
Provided by TAHPI

DESIGNED	APPROVED	DATE	SCALE(S)	SHEET
CC	DB	30.12.13	1:50 in A3	1 of 2
CAD FILE NAME		PAPER DRAWING ID		ISSUE
REC-E-SJ		REC-E-SJa		1

This document is for advisory purpose only

SHARJAH HEALTHCARE CITY STANDARD COMPONENTS

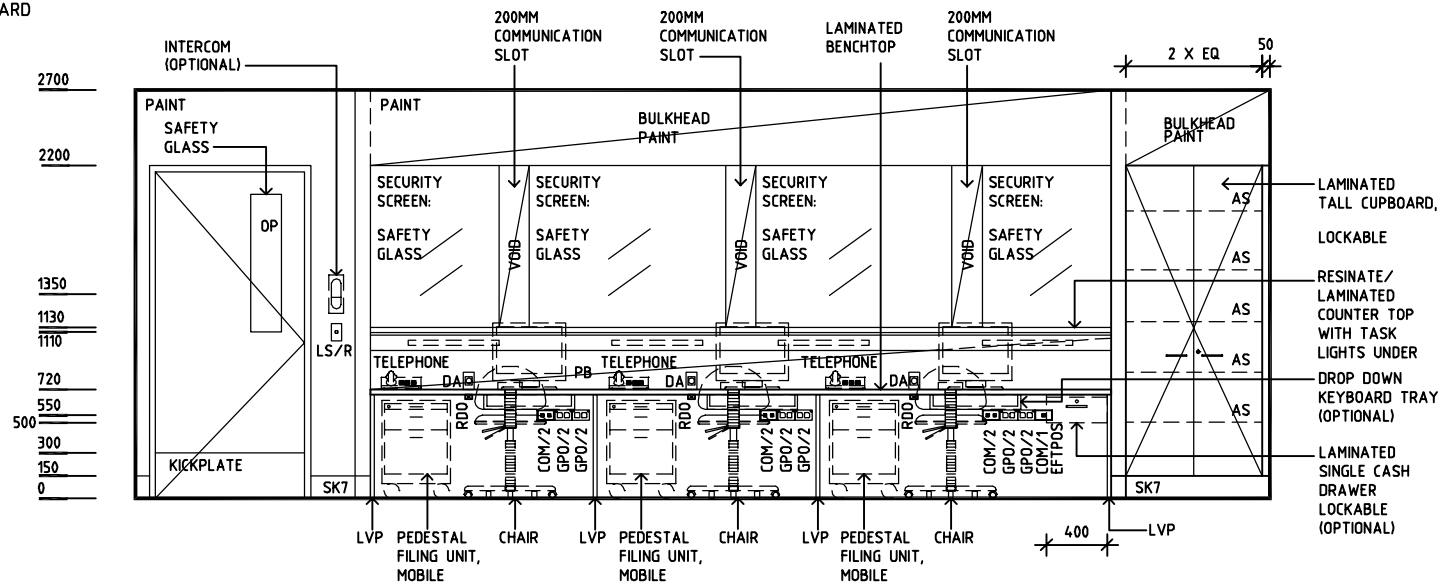
Room Layout Sheet

Room Name Reception (Emergency), 20m2

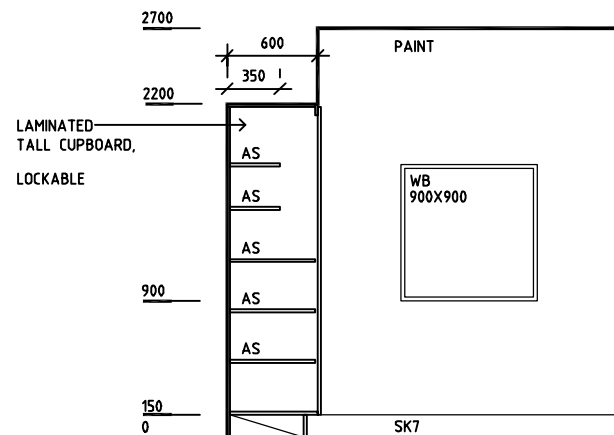
RLS Room Code REC-E-SJ

RDS Room Code REC-E-SJ

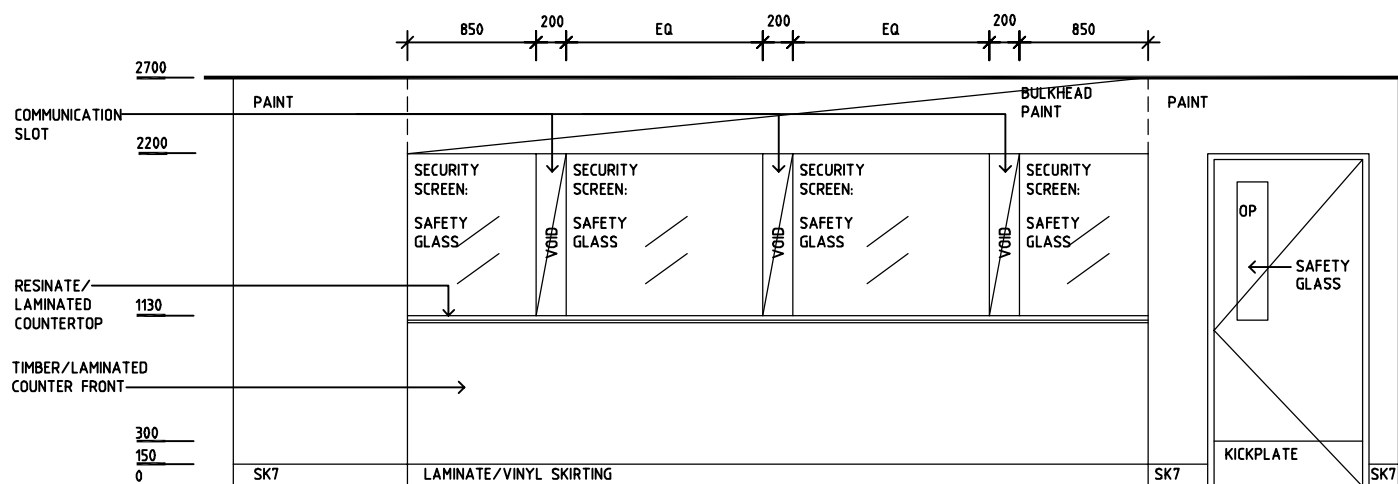
- AS ADJUSTABLE SHELF
- CAC CABLE ACCESS CAP
- COM/1 COMMUNICATION OUTLET - SINGLE
- COM/2 COMMUNICATION OUTLET - DOUBLE
- DA DURESS ALARM
- GPO/1 GENERAL POWER OUTLET - SINGLE
- GPO/2 GENERAL POWER OUTLET - DOUBLE
- LS/R LIGHT SWITCH - ROOM
- LS/P LIGHT SWITCH - PELMET TASK LIGHT
- LVP LAMINATED VERTICAL PANEL
- OP OBSERVATION PANEL
- PB PINBOARD
- RDO REMOTE DOOR OPENER
- SK7 TIMBER SKIRTING
- WB WHITE BOARD



ELEVATION 3



ELEVATION 4



ELEVATION 5

REV	DESCRIPTION	DATE	BY	REV	DESCRIPTION	DATE	BY	REV	DESCRIPTION	DATE	BY
1	FIRST ISSUE	14.03.2014	AA								



Sharjah Health Facility Guidelines at:
www.healthdesign.com.au/shccfg
 Editable version of Standard Components on
 Health Facility Briefing System (HFBS) at:
www.healthdesign.com.au
 Provided by TAHPI

DESIGNED	APPROVED	DATE	SCALE(S)	SHEET
CC	DB	30.12.13	1:50 in A3	2 of 2
CAD FILE NAME		PAPER DRAWING ID		ISSUE
REC-E-SJ		REC-E-SJb		1

This document is for advisory purpose only