

SHARJAH HEALTHCARE CITY STANDARD COMPONENTS

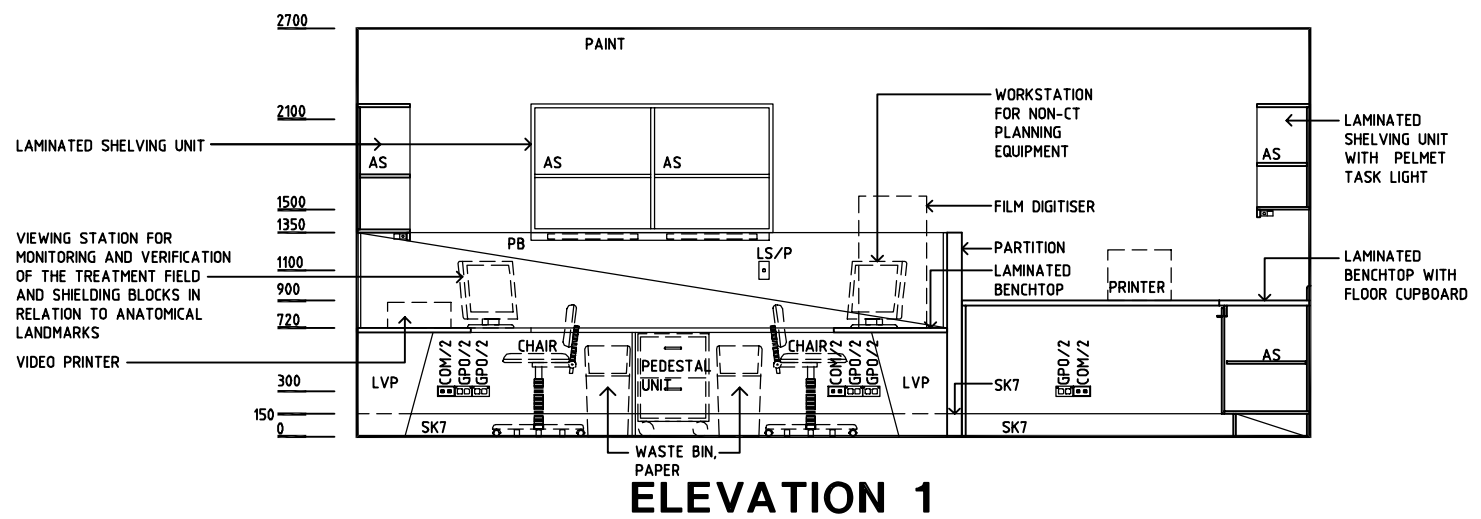
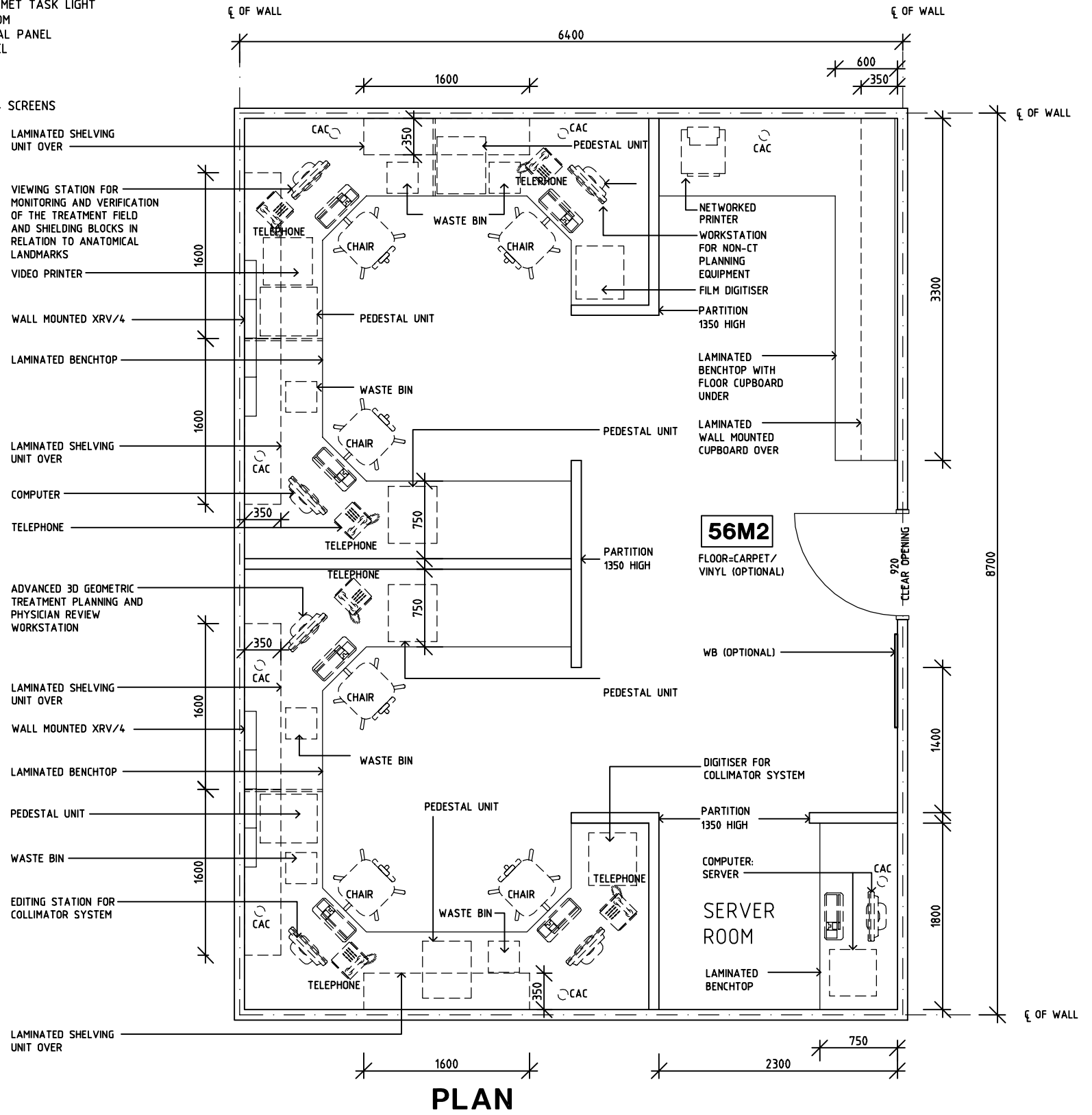
Room Layout Sheet

Room Name **Radiotherapy Treatment Planning**

RLS Room Code **RAD-TRP-SJ**

RDS Room Code **RAD-TRP-SJ**

- AS ADJUSTABLE SHELF
- CAC CABLE ACCESS CAP
- COM/2 COMMUNICATION OUTLET - DOUBLE
- GPO/2 GENERAL POWER OUTLET- DOUBLE
- GPO/S GENERAL POWER OUTLET- SPECIAL SINGLE
- LS/P LIGHT SWITCH- PELMET TASK LIGHT
- LS/R LIGHT SWITCH- ROOM
- LVP LAMINATED VERTICAL PANEL
- OP OBSERVATION PANEL
- PB PINBOARD
- SK7 TIMBER SKIRTING
- WB WHITE BOARD
- XRV/4 X-RAY VIEWER - 4 SCREENS



REV	DESCRIPTION	DATE	BY	REV	DESCRIPTION	DATE	BY	REV	DESCRIPTION	DATE	BY
1	FIRST ISSUE	14.03.2014	AA								



Sharjah Health Facility Guidelines at:
www.healthdesign.com.au/shcc/hfg
 Editable version of Standard Components on
 Health Facility Briefing System (HFBS) at:
www.healthdesign.com.au
 Provided by TAHPI

DESIGNED	APPROVED	DATE	SCALE(S)	SHEET
CC	DB	30.12.13	1:50 in A3	1 of 2
CAD FILE NAME		PAPER DRAWING ID		ISSUE
RAD-TRP-SJ		RAD-TRP-SJa		1

This document is for advisory purpose only

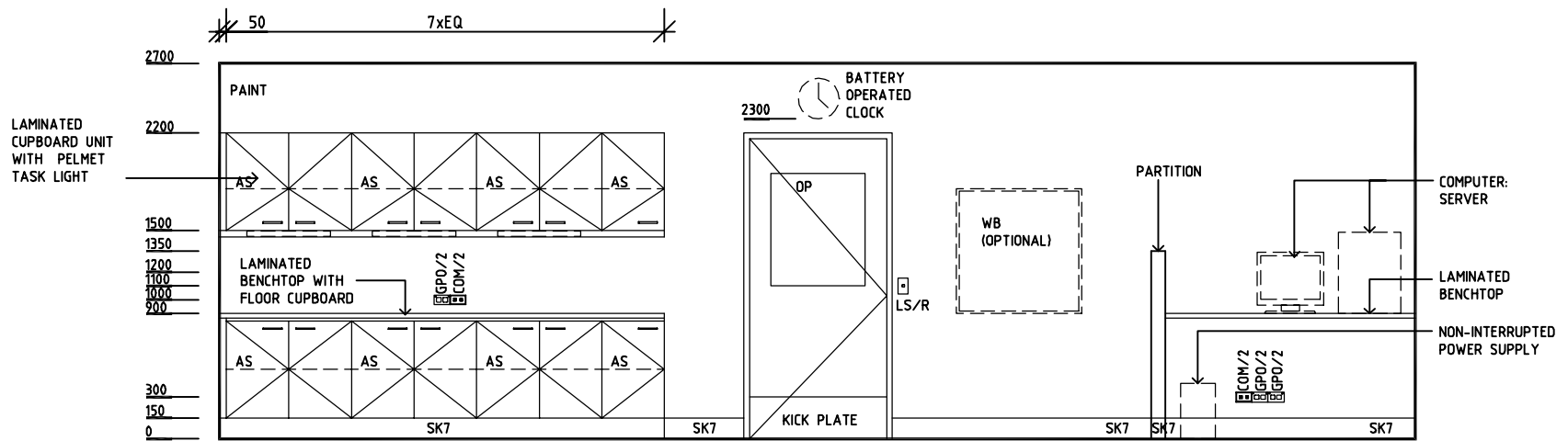
SHARJAH HEALTHCARE CITY STANDARD COMPONENTS

Room Layout Sheet

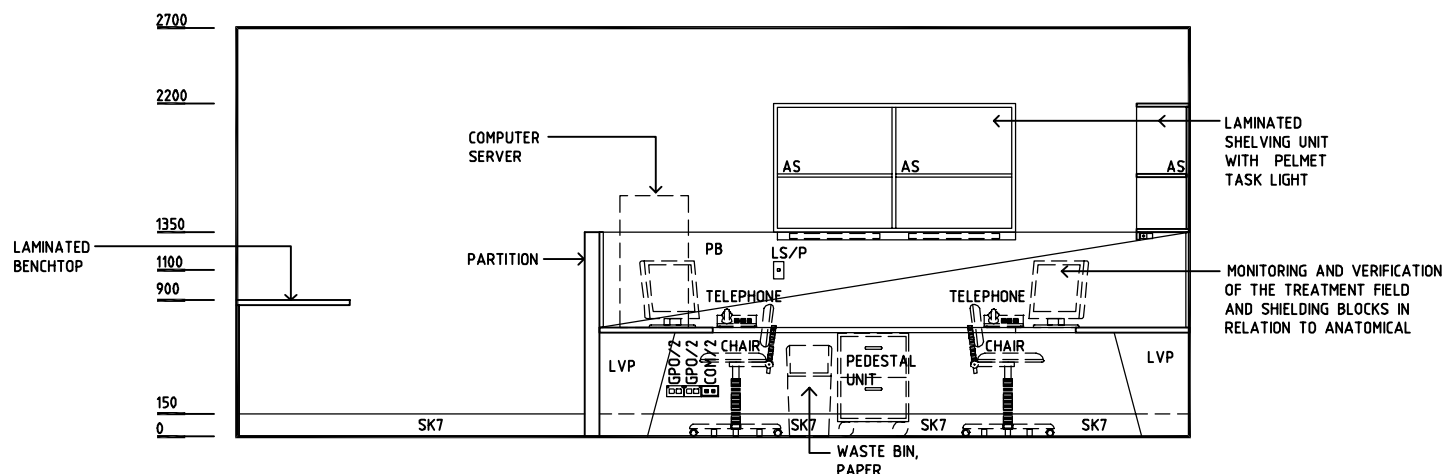
Room Name **Radiotherapy Treatment Planning**

RLS Room Code **RAD-TRP-SJ**
RDS Room Code **RAD-TRP-SJ**

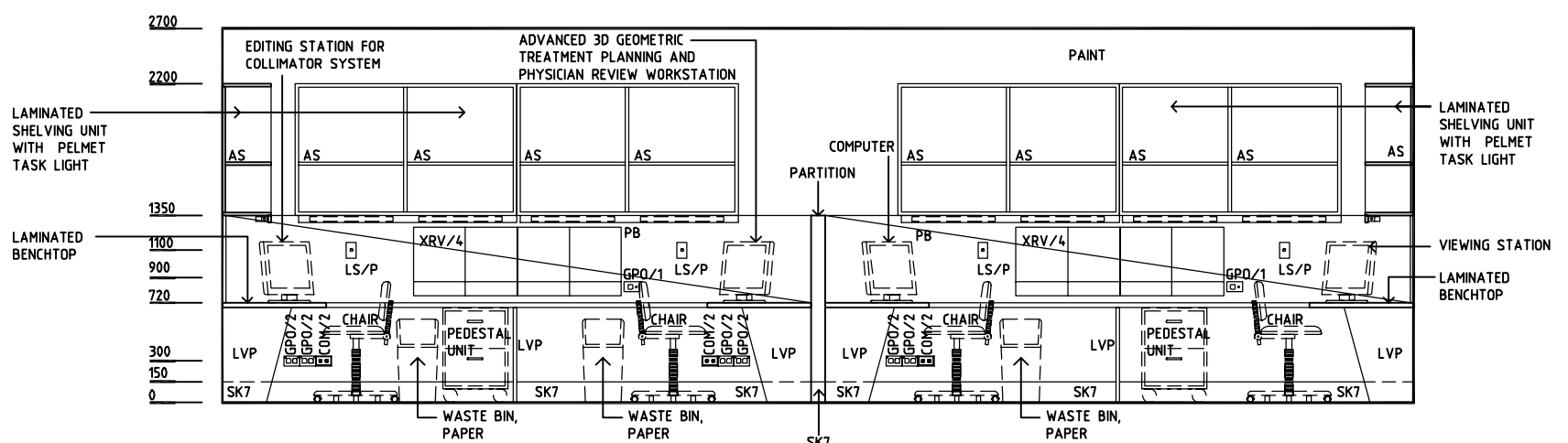
- AS ADJUSTABLE SHELF
- CAC CABLE ACCESS CAP
- COM/2 COMMUNICATION OUTLET - DOUBLE
- GPO/2 GENERAL POWER OUTLET- DOUBLE
- GPO/S GENERAL POWER OUTLET- SPECIAL SINGLE
- LS/P LIGHT SWITCH- PELMET TASK LIGHT
- LS/R LIGHT SWITCH- ROOM
- LVP LAMINATED VERTICAL PANEL
- OP OBSERVATION PANEL
- PB PINBOARD
- SK7 TIMBER SKIRTING
- WB WHITE BOARD
- XRV/4 X-RAY VIEWER - 4 SCREENS



ELEVATION 2




ELEVATION 3



ELEVATION 4

REV	DESCRIPTION	DATE	BY	REV	DESCRIPTION	DATE	BY	REV	DESCRIPTION	DATE	BY
1	FIRST ISSUE	14.03.2014	AA								

 SHCC Guidelines	Sharjah Health Facility Guidelines at: www.healthdesign.com.au/shccfg Editable version of Standard Components on Health Facility Briefing System (HFBS) at: www.healthdesign.com.au Provided by TAHPI		DESIGNED	APPROVED	DATE	SCALE(S)	SHEET
	CC	DB	30.12.13	1:50 in A3	2 of 2		
	CAD FILE NAME		PAPER DRAWING ID		ISSUE		
RAD-TRP-SJ		RAD-TRP-SJb		1			

This document is for advisory purpose only