

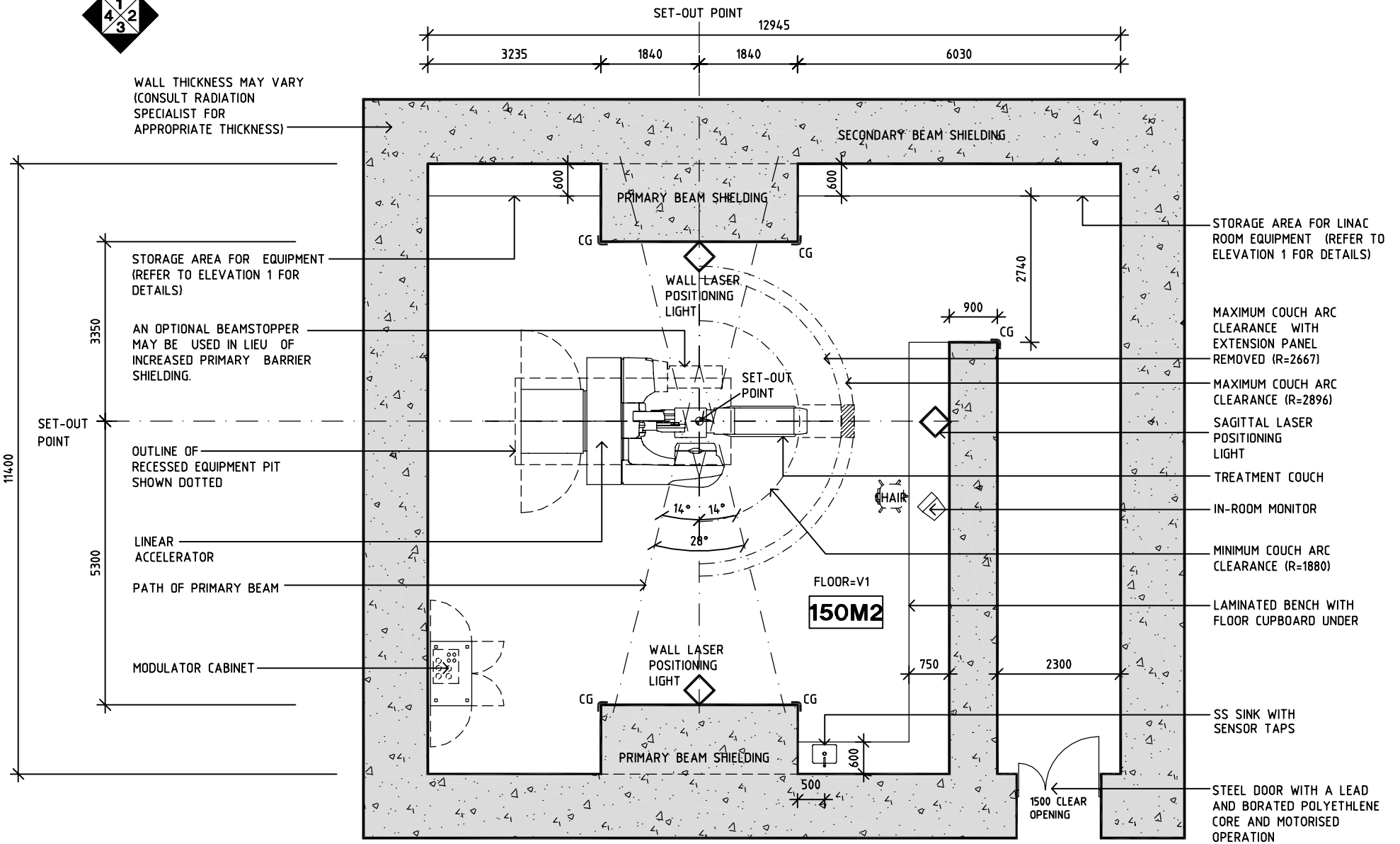
# SHARJAH HEALTHCARE CITY STANDARD COMPONENTS

Room Layout Sheet

Room Name **Radiotherapy Bunker Room**

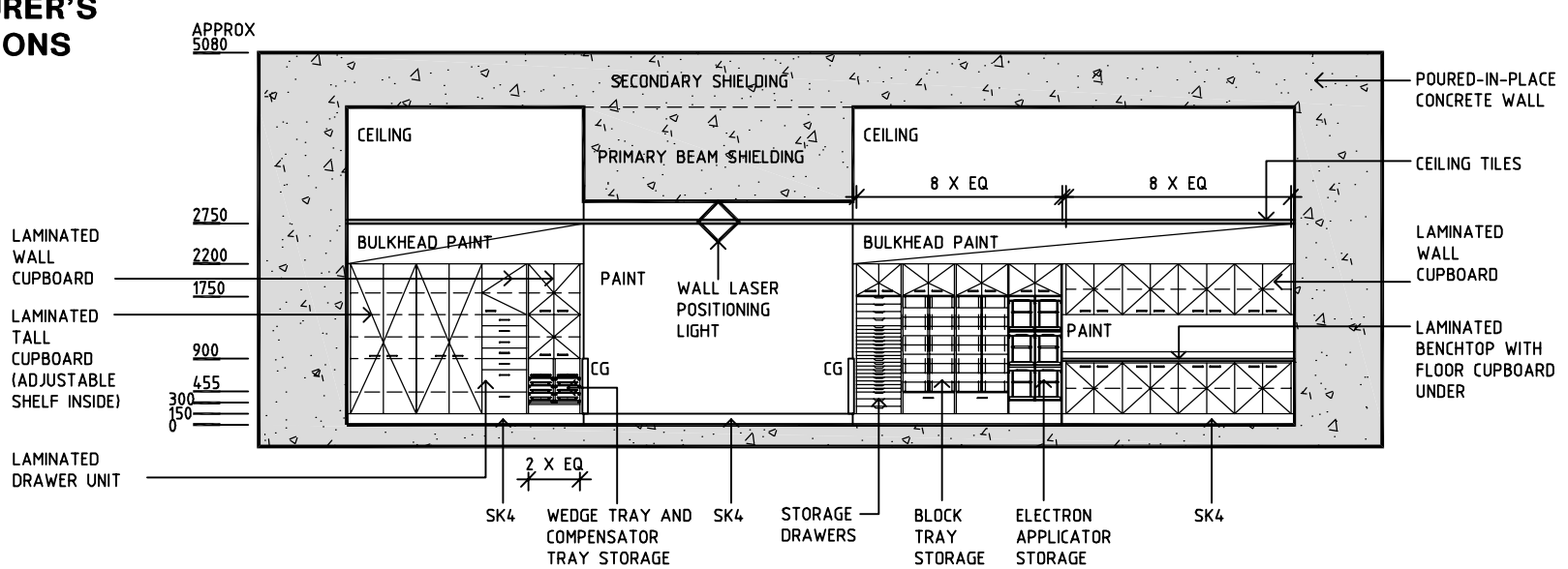
RLS Room Code **RAD-BUNK-SJ**  
RDS Room Code **RAD-BUNK-SJ**

- CG CORNER PROTECTION
- CDM/2 COMMUNICATION OUTLET - DOUBLE
- DP DOOR AND DOOR FRAME PROTECTION
- DS DISPENSER - SOAP
- DPT DISPENSER - PAPER TOWEL
- GPO/2 GENERAL POWER OUTLET- DOUBLE
- GPO/S GENERAL POWER OUTLET - SPECIAL
- SK4 FLOOR VINYL COVERED SKIRTING
- V1 VINYL FLOORING, STANDARD



**PLAN**

**NOTE: LASER POSITIONING LIGHT LOCATION INDICATIVE ONLY. FINAL LOCATION AS PER MANUFACTURER'S SPECIFICATIONS**



**ELEVATION 1**

REV	DESCRIPTION	DATE	BY	REV	DESCRIPTION	DATE	BY	REV	DESCRIPTION	DATE	BY
1	FIRST ISSUE	14.03.2014	AA								



Sharjah Health Facility Guidelines at:  
www.healthdesign.com.au/shccfg  
Editable version of Standard Components on  
Health Facility Briefing System (HFBS) at:  
www.healthdesign.com.au  
Provided by TAHPI

DESIGNED	APPROVED	DATE	SCALE(S)	SHEET
CC	DB	30.12.13	1:50 in A3	1 of 2
CAD FILE NAME		PAPER DRAWING ID		ISSUE
RAD-BUNK-SJ		RAD-BUNK-SJa		1

This document is for advisory purpose only

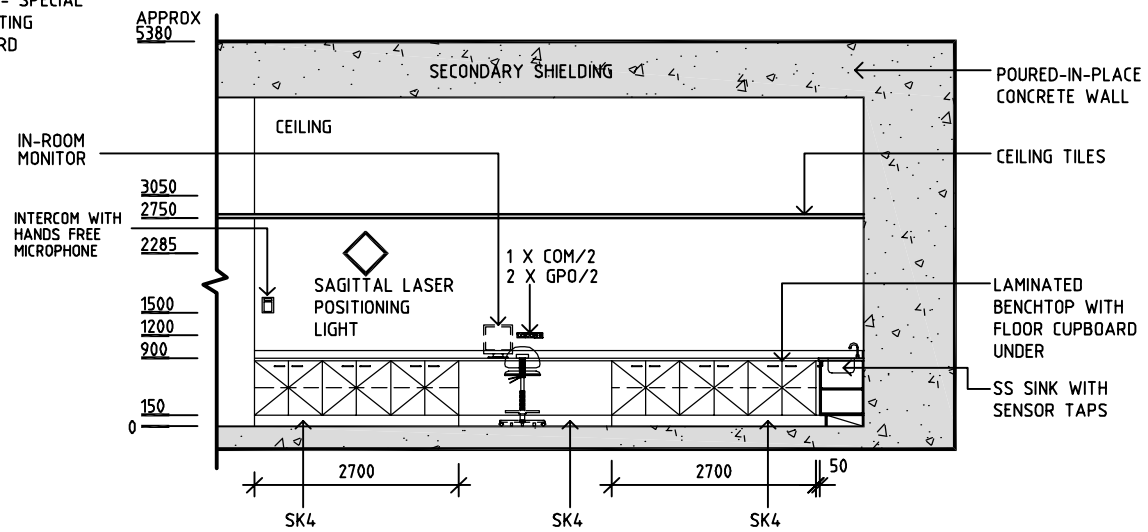
# SHARJAH HEALTHCARE CITY STANDARD COMPONENTS

Room Layout Sheet

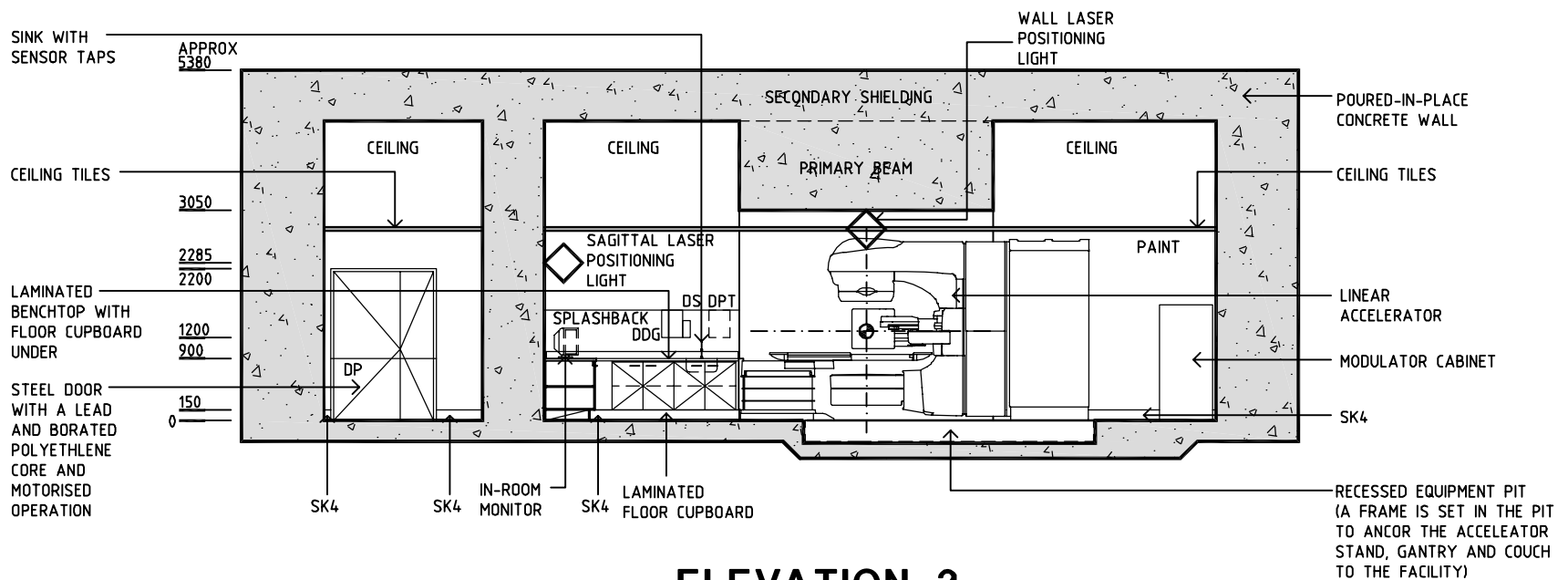
Room Name | **Radiotherapy Bunker Room**

RLS Room Code | **RAD-BUNK-SJ**  
RDS Room Code | **RAD-BUNK-SJ**

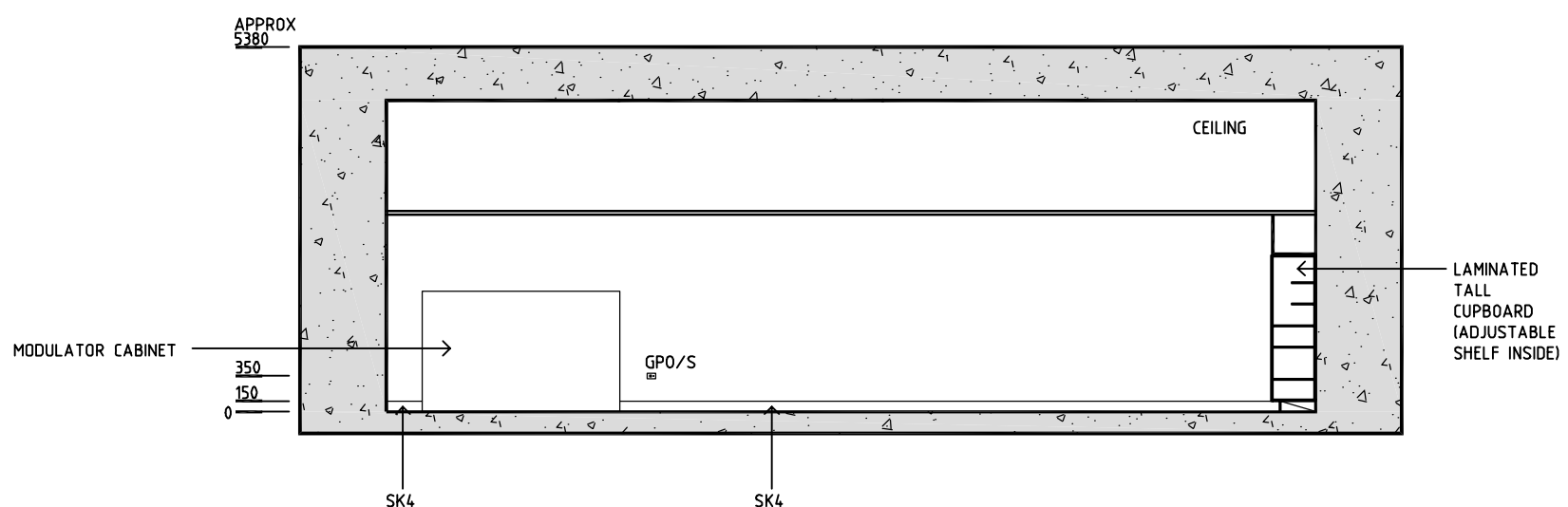
- CG CORNER PROTECTION
- COM/2 COMMUNICATION OUTLET - DOUBLE
- DP DOOR AND DOOR FRAME PROTECTION
- DS DISPENSER - SOAP
- DPT DISPENSER - PAPER TOWEL
- GPO/2 GENERAL POWER OUTLET- DOUBLE
- GPO/S GENERAL POWER OUTLET - SPECIAL
- SK4 FLOOR VINYL COVED SKIRTING
- V1 VINYL FLOORING, STANDARD



**ELEVATION 2**




**ELEVATION 3**



**ELEVATION 4**

REV	DESCRIPTION	DATE	BY	REV	DESCRIPTION	DATE	BY	REV	DESCRIPTION	DATE	BY
1	FIRST ISSUE	14.03.2014	AA								

 <b>SHCC Guidelines</b>	DESIGNED   APPROVED   DATE   SCALE(S)   SHEET CC   DB   30.12.13   1:50 in A3   2 of 2	
	CAD FILE NAME   PAPER DRAWING ID   ISSUE RAD-BUNK-SJ   RAD-BUNK-SJb   1	
	Sharjah Health Facility Guidelines at: www.healthdesign.com.au/shccfg Editable version of Standard Components on Health Facility Briefing System (HFBS) at: www.healthdesign.com.au Provided by TAHPI	

This document is for advisory purpose only