

SHARJAH HEALTHCARE CITY STANDARD COMPONENTS

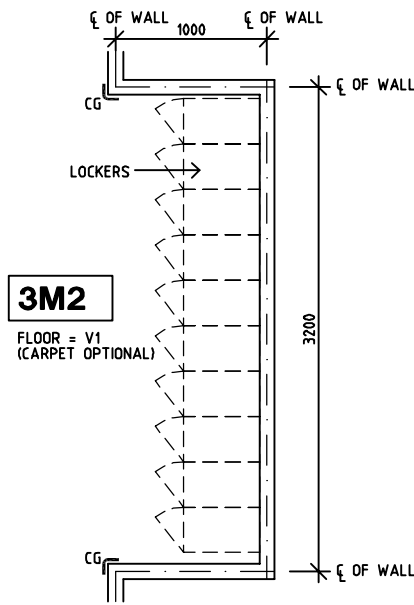
Room Layout Sheet

Room Name **Property Bay - Staff, 3m2**

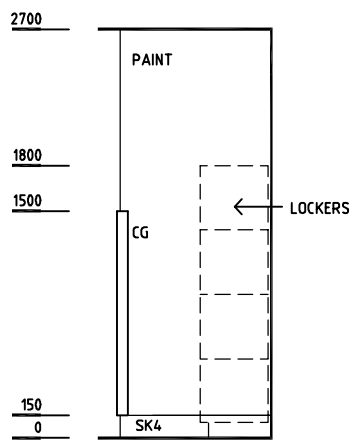
RLS Room Code **PROP-3-SJ**
RDS Room Code **PROP-3-SJ**

CG
SK4
V1

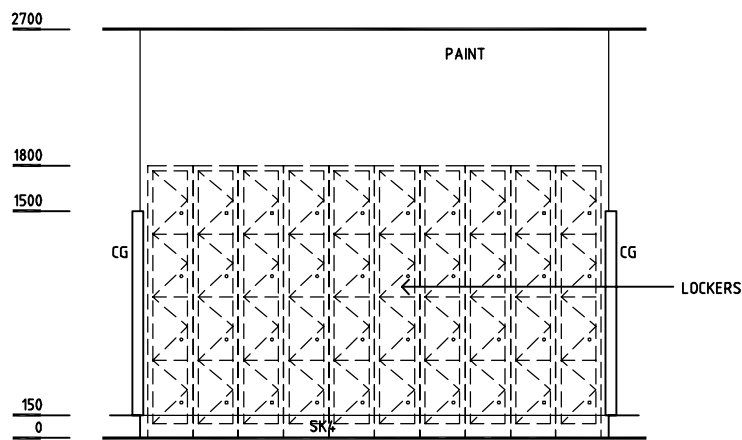
CORNER PROTECTION
FLOOR VINYL COVERED SKIRTING
VINYL FLOORING, STANDARD SLIP RESISTANT



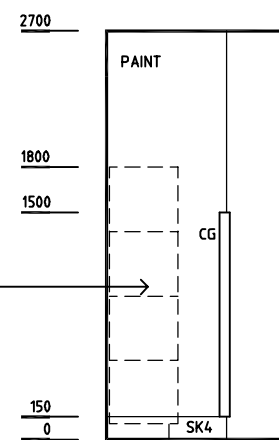
PLAN



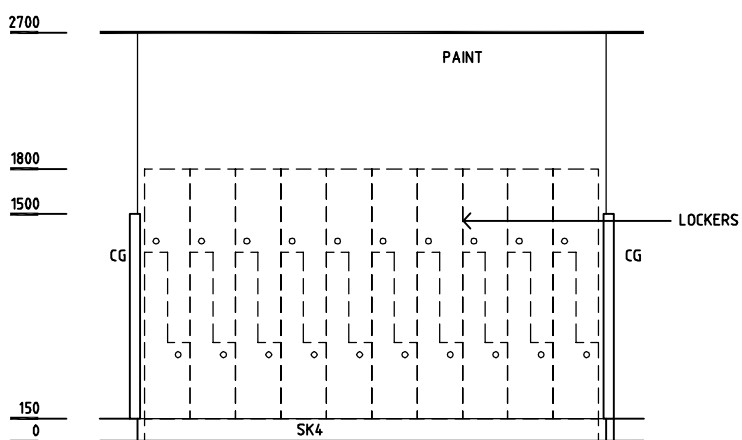
ELEVATION 1



**ELEVATION 2
OPTION FOR QUARTER LOCKERS**



ELEVATION 3



**ELEVATION 2
OPTION FOR INTERLOCKED HALF LOCKERS**

REV	DESCRIPTION	DATE	BY	REV	DESCRIPTION	DATE	BY	REV	DESCRIPTION	DATE	BY
1	FIRST ISSUE	14.03.2014	AA								

	Sharjah Health Facility Guidelines at: www.healthdesign.com.au/shcc/hfg Editable version of Standard Components on Health Facility Briefing System (HFBS) at: www.healthdesign.com.au Provided by TAHPI				DESIGNED	APPROVED	DATE	SCALE(S)	SHEET
	CC	DB	30.12.13	1:50 in A3	1 of 1				
	CAD FILE NAME		PAPER DRAWING ID		ISSUE				
PROP-3-SJ		PROP-3-SJ		1					

This document is for advisory purpose only