

SHARJAH HEALTHCARE CITY STANDARD COMPONENTS

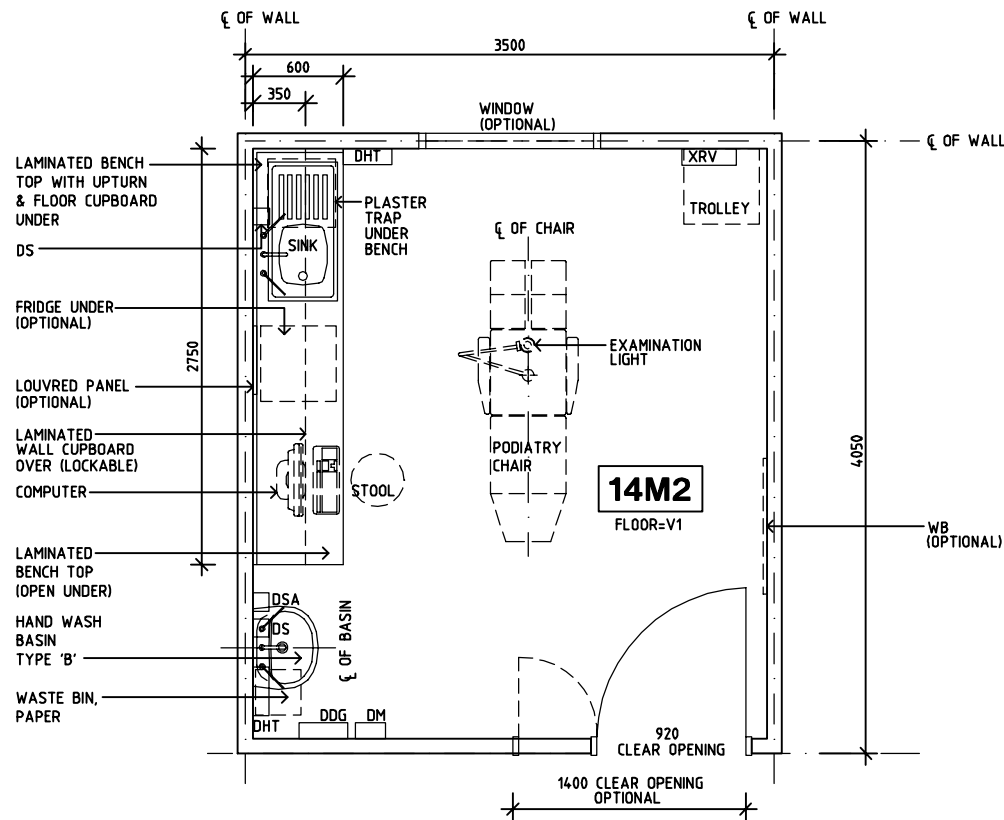
Room Layout Sheet

Room Name **Podiatry Treatment, 14m2**

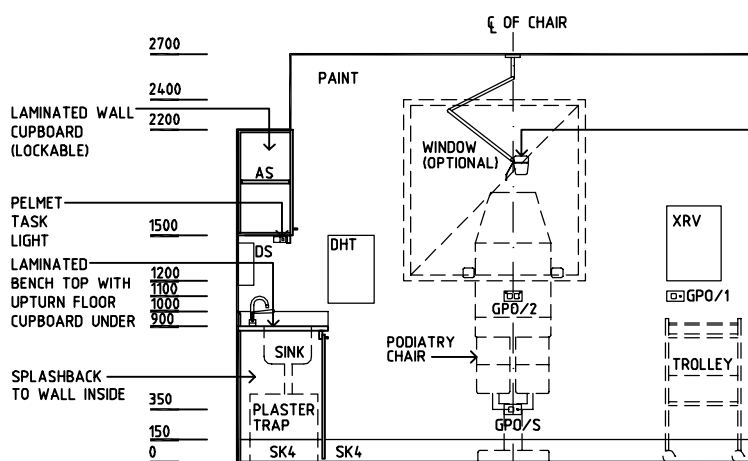
RLS Room Code **PODTR-14-SJ**

RDS Room Code **PODTR-14-SJ**

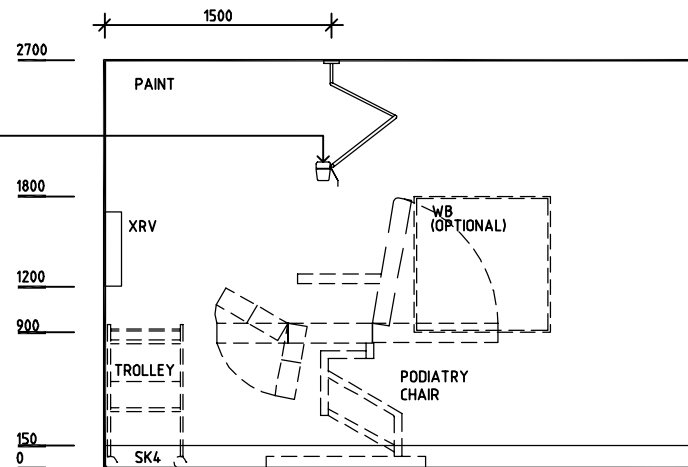
- AS ADJUSTABLE SHELF
- COM/2 COMMUNICATION OUTLET - DOUBLE
- DDG DISPENSER - DISPOSABLE GLOVES
- DHT DISPENSER - HAND TOWEL
- DM DISPENSER - MASK
- DP DOOR AND DOOR FRAME PROTECTION
- DS DISPENSER - SOAP
- DSA DISPENSER - SOAP ANTISEPTIC
- GPO/1 GENERAL POWER OUTLET - SINGLE
- GPO/2 GENERAL POWER OUTLET - DOUBLE
- GPO/S GENERAL POWER OUTLET - SPECIAL SINGLE
- LS/R LIGHT SWITCH - ROOM
- LS/P LIGHT SWITCH - PELMET
- OP OBSERVATION PANEL
- SK4 FLOOR VINYL COVERED SKIRTING
- V1 VINYL FLOORING, STANDARD SLIP RESISTANT
- WB WHITEBOARD
- XRV X-RAY VIEWER



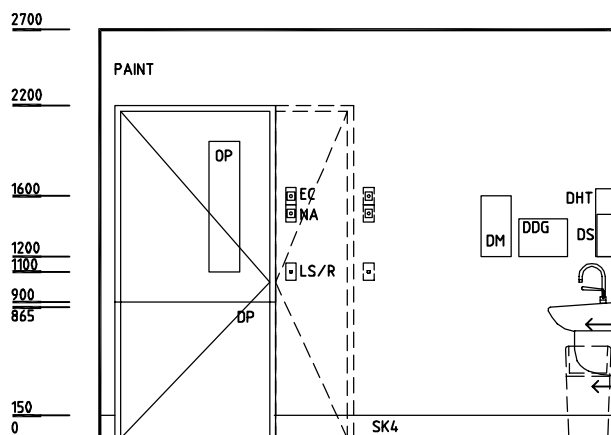
PLAN



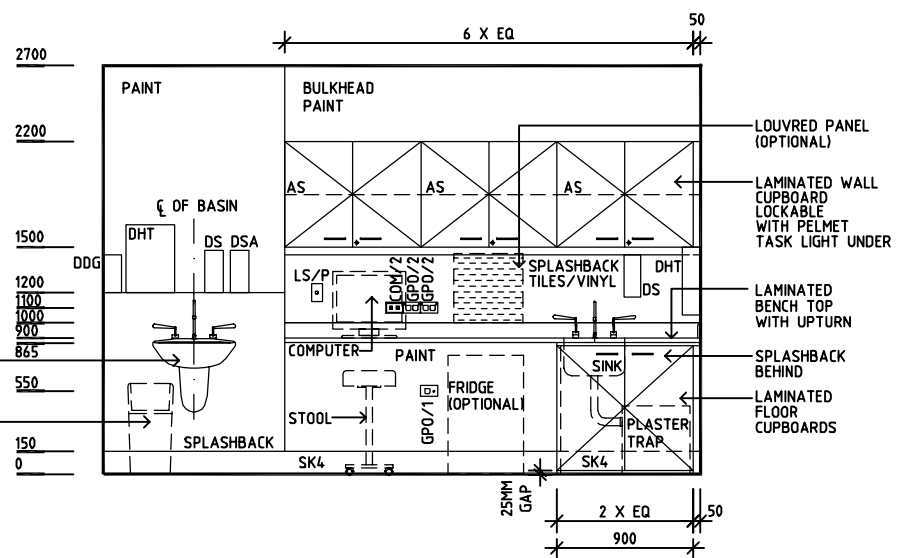
ELEVATION 1



ELEVATION 2



ELEVATION 3



ELEVATION 4

REV	DESCRIPTION	DATE	BY	REV	DESCRIPTION	DATE	BY	REV	DESCRIPTION	DATE	BY
1	FIRST ISSUE	14.03.2014	AA								



Sharjah Health Facility Guidelines at:
www.healthdesign.com.au/shccfg
 Editable version of Standard Components on
 Health Facility Briefing System (HFBS) at:
www.healthdesign.com.au
 Provided by TAHPI

DESIGNED	APPROVED	DATE	SCALE(S)	SHEET
CC	DB	30.12.13	1:50 in A3	1 of 1
CAD FILE NAME		PAPER DRAWING ID		ISSUE
PODTR-14-SJ		PODTR-14-SJ		1

This document is for advisory purpose only