

SHARJAH HEALTHCARE CITY STANDARD COMPONENTS

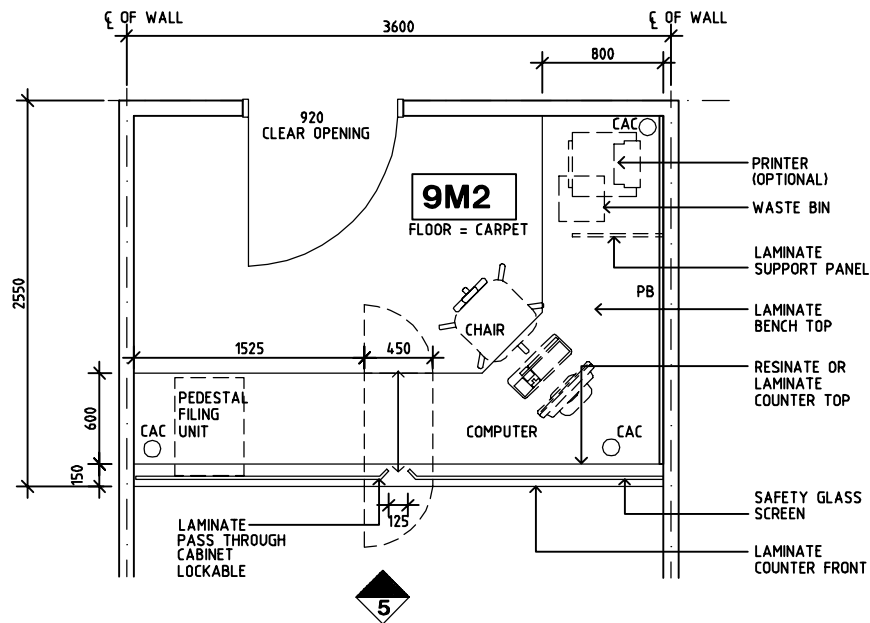
Room Layout Sheet

Room Name **Pharmacy Counter**

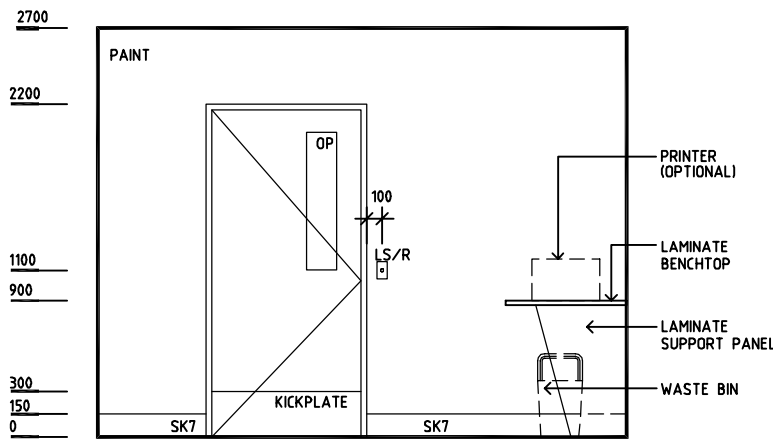
RLS Room Code **PHA-CO-SJ**

RDS Room Code **PHA-CO-SJ**

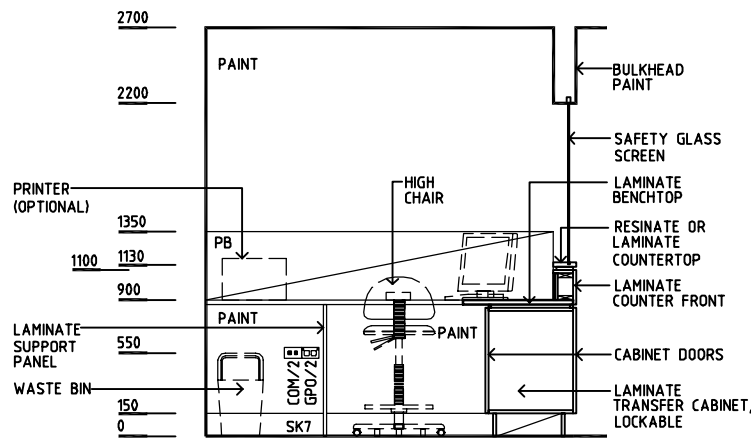
- CAC CABLE ACCESS CAP
- COM/2 COMMUNICATIONS/DATA OUTLET - DOUBLE
- DA DURESS ALARM
- GPO/2 GENERAL POWER OUTLET - DOUBLE
- GPO/2 EP EMERGENCY POWER - DOUBLE
- LS/R LIGHT SWITCH - ROOM
- OP OBSERVATION PANEL
- PB PINBOARD, FABRIC COVERED
- SK7 TIMBER SKIRTING



PLAN



ELEVATION 1



ELEVATION 2

REV	DESCRIPTION	DATE	BY	REV	DESCRIPTION	DATE	BY	REV	DESCRIPTION	DATE	BY
1	FIRST ISSUE	14.03.2014	AA								

	Sharjah Health Facility Guidelines at: www.healthdesign.com.au/shccfg Editable version of Standard Components on Health Facility Briefing System (HFBS) at: www.healthdesign.com.au Provided by TAHPI				DESIGNED	APPROVED	DATE	SCALE(S)	SHEET
	CC	DB	30.12.13	1:50 in A3	1 of 2				
	CAD FILE NAME		PAPER DRAWING ID		ISSUE				
PHA-CO-SJ		PHA-CO-SJa		1					

SHARJAH HEALTHCARE CITY STANDARD COMPONENTS

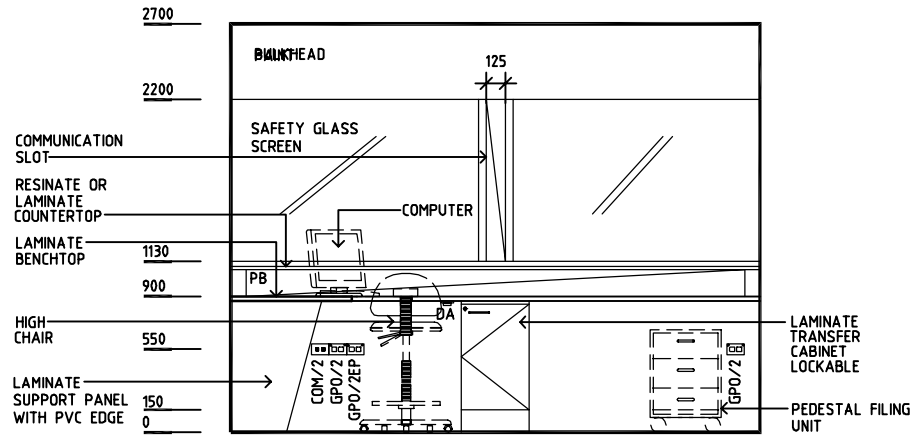
Room Layout Sheet

Room Name | Pharmacy Counter

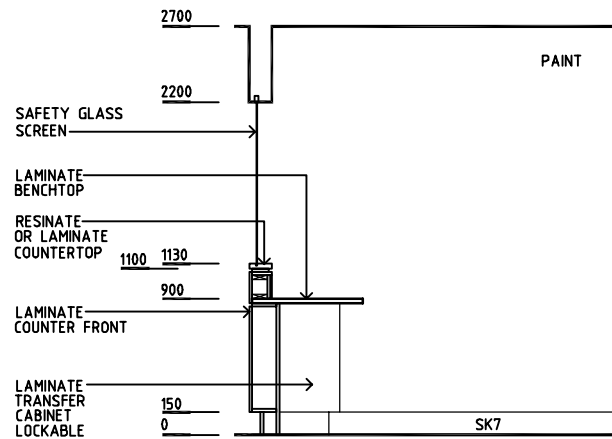
RLS Room Code PHA-CO-SJ

RDS Room Code PHA-CO-SJ

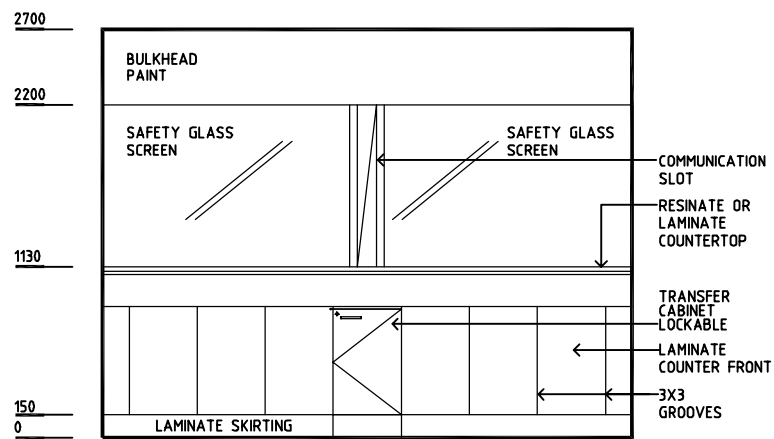
- CAC CABLE ACCESS CAP
- COM/2 COMMUNICATIONS/DATA OUTLET - DOUBLE
- DA DURESS ALARM
- GPO/2 GENERAL POWER OUTLET - DOUBLE
- GPO/2 EP EMERGENCY POWER - DOUBLE
- LS/R LIGHT SWITCH - ROOM
- OP OBSERVATION PANEL
- PB PINBOARD, FABRIC COVERED
- SK7 TIMBER SKIRTING



ELEVATION 3




ELEVATION 4



ELEVATION 5

REV	DESCRIPTION	DATE	BY	REV	DESCRIPTION	DATE	BY	REV	DESCRIPTION	DATE	BY
1	FIRST ISSUE	14.03.2014	AA								

 SHCC Guidelines	Sharjah Health Facility Guidelines at: www.healthdesign.com.au/shccfg Editable version of Standard Components on Health Facility Briefing System (HFBS) at: www.healthdesign.com.au Provided by TAHPI				DESIGNED	APPROVED	DATE	SCALE(S)	SHEET
	CC	DB	30.12.13	1:50 in A3	2 of 2				
	CAD FILE NAME		PAPER DRAWING ID		ISSUE				
PHA-CO-SJ		PHA-CO-SJb		1					