

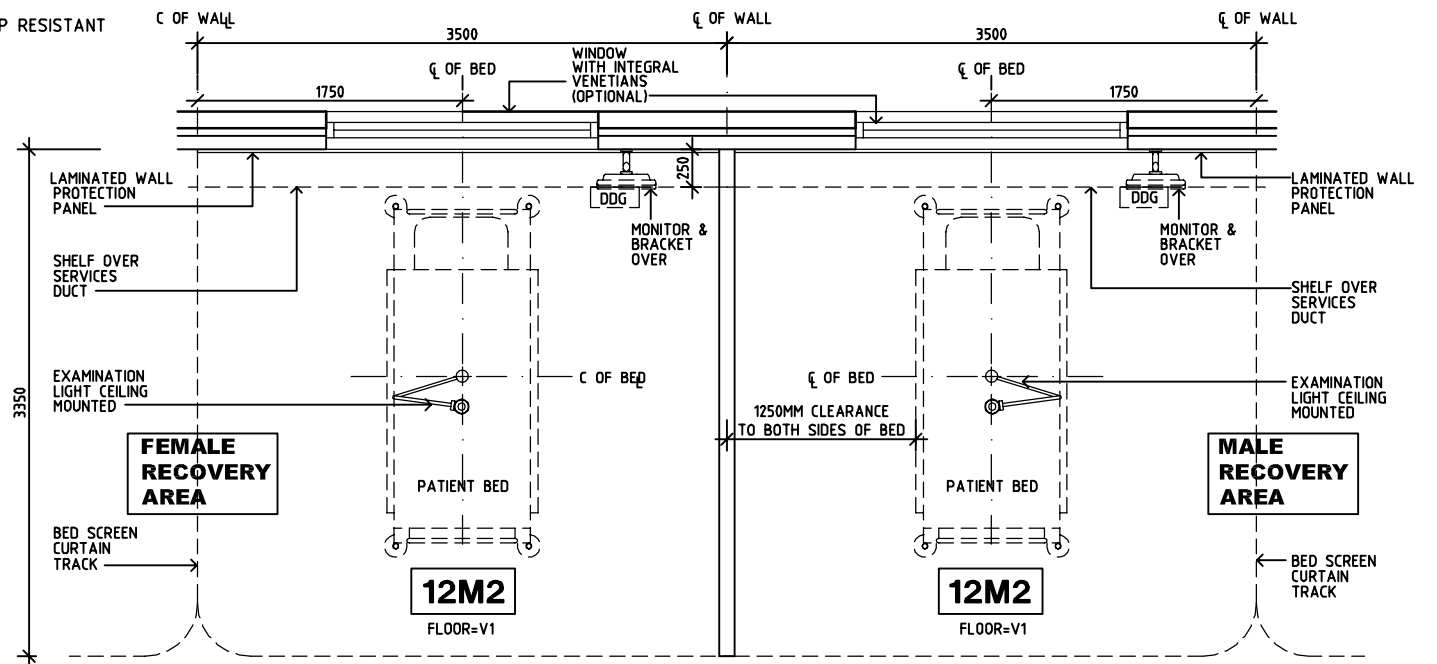
# SHARJAH HEALTHCARE CITY STANDARD COMPONENTS

Room Layout Sheet

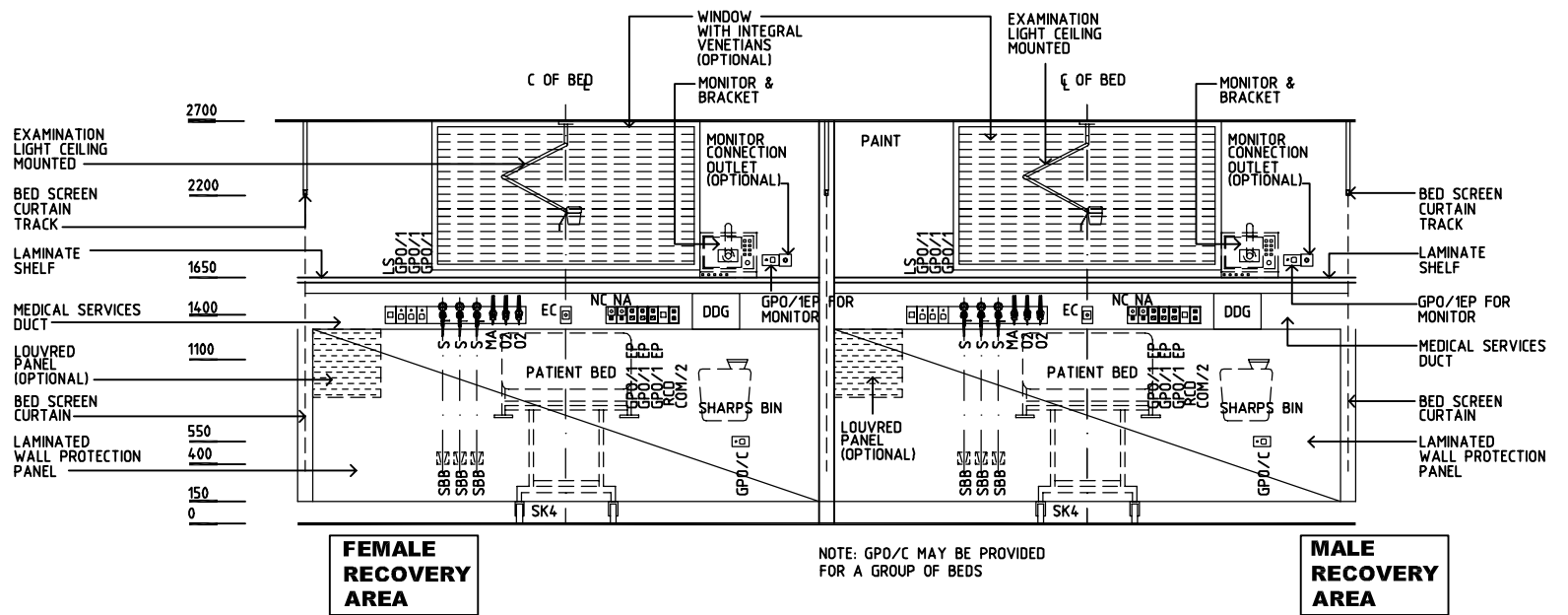
Room Name **Patient Bay - Recovery, Stage 1**

RLS Room Code **PBTR-RS1-SJ**  
RDS Room Code **PBTR-RS1-SJ**

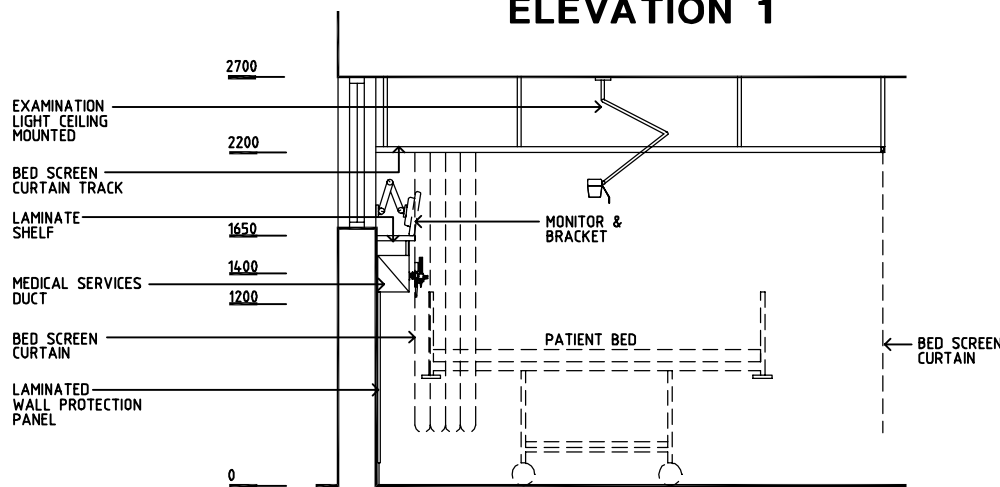
- COM/2 COMMUNICATION OUTLET - DOUBLE
- EC EMERGENCY CALL
- GPO/1 GENERAL POWER OUTLET - SINGLE
- GPO/1EP EMERGENCY POWER - SINGLE
- GPO/C GENERAL POWER OUTLET -CLEANER'S
- MA MEDICAL AIR
- NA NURSE ASSIST
- NC CALL PATIENT/NURSE CALL
- LS LIGHT SWITCH
- O2 OXYGEN
- RCD RESIDUAL CURRENT DEVICE
- S SUCTION
- SBB SUCTION BOTTLE BRACKET
- SK4 FLOOR VINYL COVED SKIRTING
- V1 VINYL FLOORING, STANDARD SLIP RESISTANT



**PLAN**



**ELEVATION 1**



**ELEVATION 2**

REV	DESCRIPTION	DATE	BY	REV	DESCRIPTION	DATE	BY	REV	DESCRIPTION	DATE	BY
1	FIRST ISSUE	14.03.2014	AA								



Sharjah Health Facility Guidelines at:  
www.healthdesign.com.au/shccfg  
Editable version of Standard Components on  
Health Facility Briefing System (HFBS) at:  
www.healthdesign.com.au  
Provided by TAHPI

DESIGNED	APPROVED	DATE	SCALE(S)	SHEET
CC	DB	30.12.13	1:50 in A3	1 of 1
CAD FILE NAME PBTR-RS1-SJ		PAPER DRAWING ID PBTR-RS1-SJ		ISSUE 1

This document is for advisory purpose only