

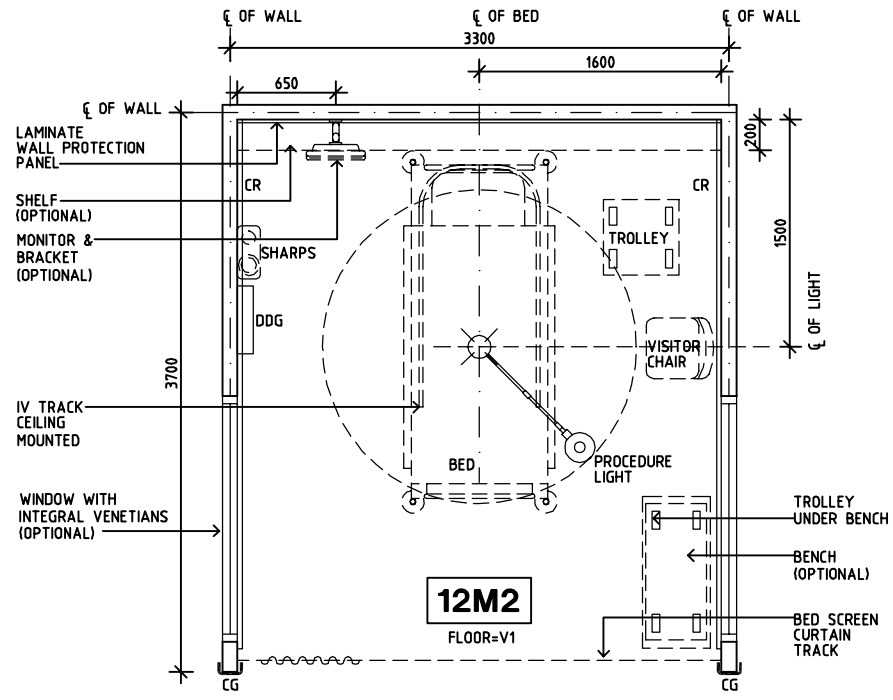
SHARJAH HEALTHCARE CITY STANDARD COMPONENTS

Room Layout Sheet

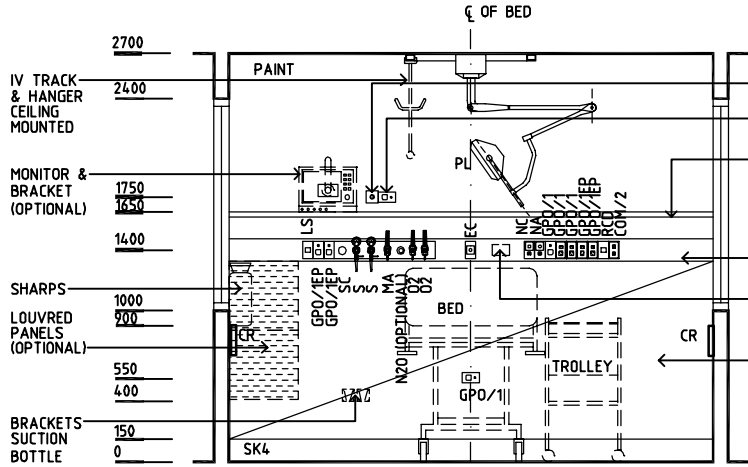
Room Name **Patient Bay - Acute Treatment, 12m2**

RLS Room Code **PBTR-A12-SJ**
RDS Room Code **PBTR-A12-SJ**

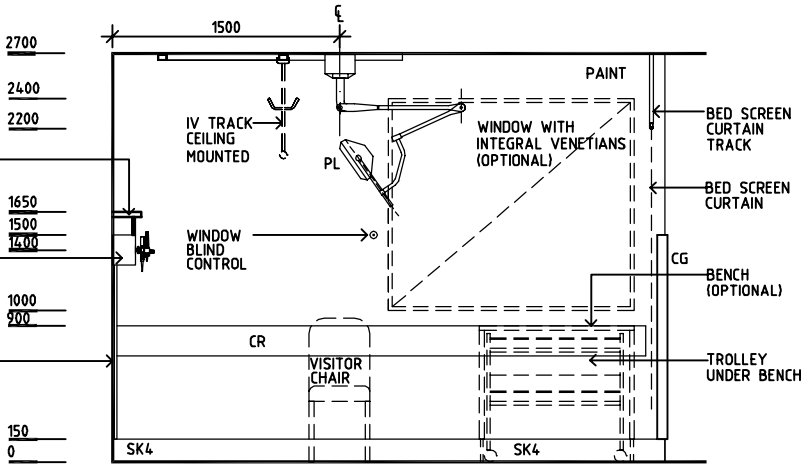
- COM/2 COMMUNICATION OUTLET - DOUBLE
- CG CORNER GUARD
- CR CRASH RAIL
- DDG DISPENSER - DISPOSABLE GLOVE
- EC EMERGENCY CALL
- FG FIXED GLAZING
- GPO/1 GENERAL POWER OUTLET - SINGLE
- GPO/1 EP EMERGENCY POWER - SINGLE
- MA MEDICAL AIR
- NC PATIENT/NURSE CALL
- NA NURSE ASSIST CALL
- N20 NITROUS OXIDE
- LS LIGHT SWITCH
- O2 OXYGEN
- PL PROCEDURE LIGHT
- RCD RESIDUAL CURRENT DEVICE
- S SUCTION
- SC SCAVENGE
- SK4 FLOOR VINYL COVED SKIRTING
- V1 VINYL FLOORING, STANDARD SLIP RESISTANT



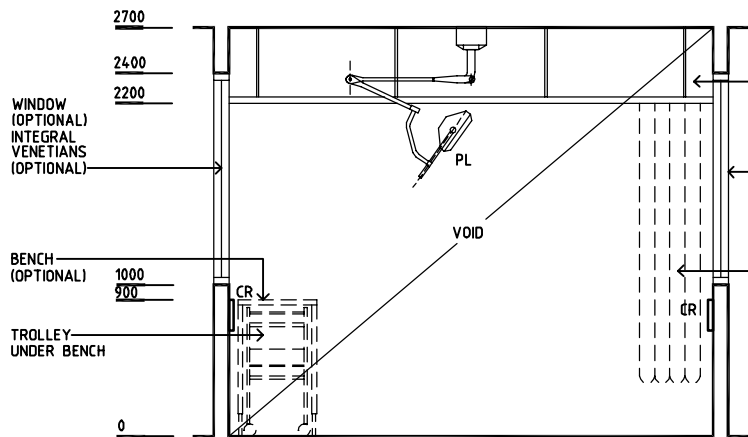
PLAN



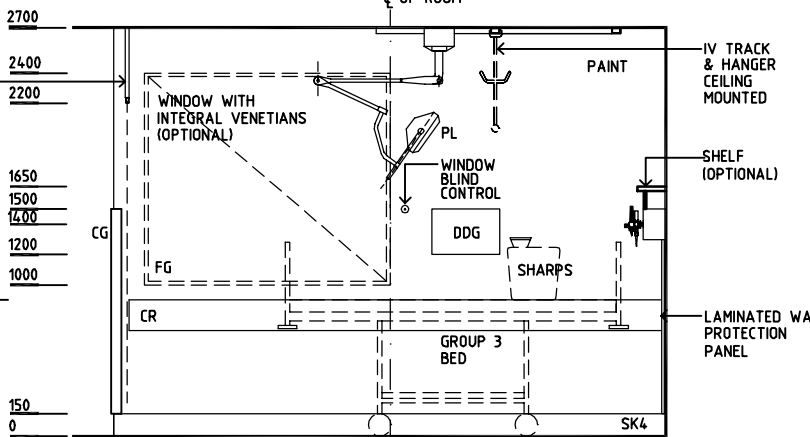
ELEVATION 1



ELEVATION 2



ELEVATION 3



ELEVATION 4

REV	DESCRIPTION	DATE	BY	REV	DESCRIPTION	DATE	BY	REV	DESCRIPTION	DATE	BY
1	FIRST ISSUE	14.03.2014	AA								



Sharjah Health Facility Guidelines at:
www.healthdesign.com.au/shcc/hfg
Editable version of Standard Components on
Health Facility Briefing System (HFBS) at:
www.healthdesign.com.au
Provided by TAHPI

DESIGNED	APPROVED	DATE	SCALE(S)	SHEET
CC	DB	30.12.13	1:50 in A3	1 of 1
CAD FILE NAME		PAPER DRAWING ID		ISSUE
PBTR-A12-SJ		PBTR-A12-SJ		1

This document is for advisory purpose only