

# SHARJAH HEALTHCARE CITY STANDARD COMPONENTS

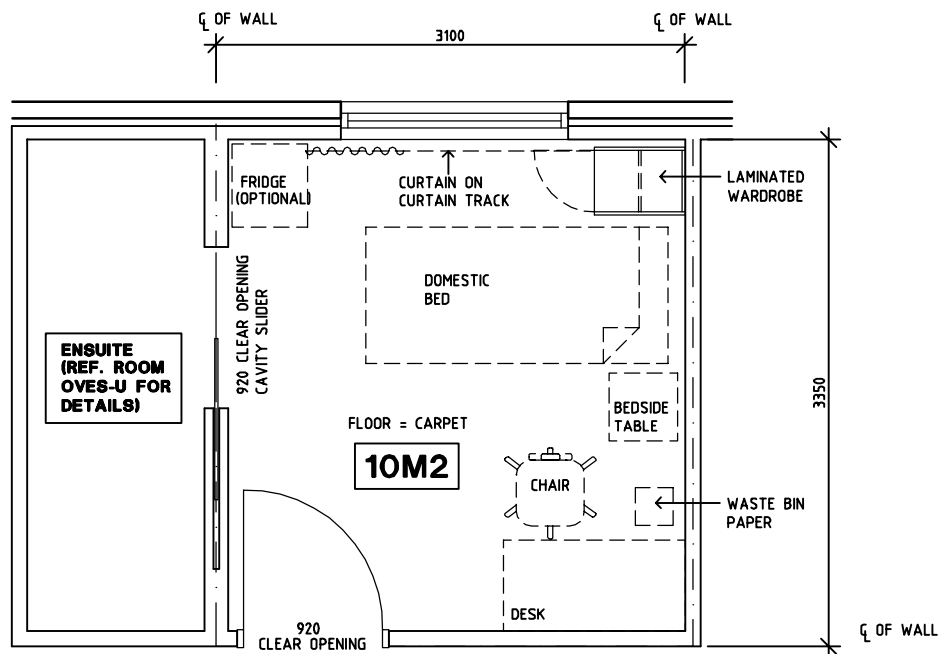
Room Layout Sheet

Room Name **Overnight Stay - Bedroom**

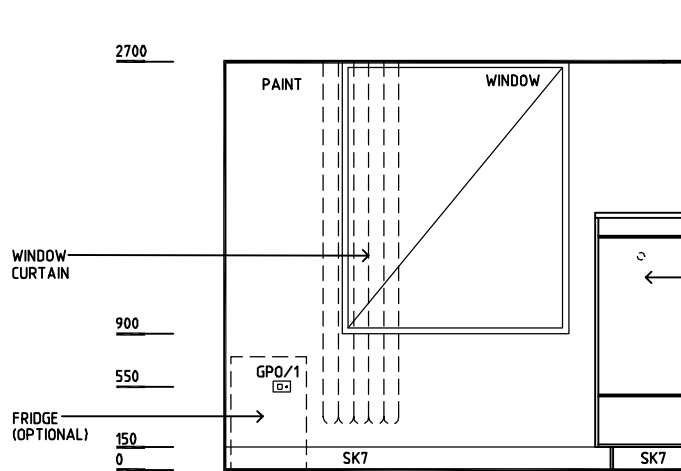
RLS Room Code **OVBR-SJ**

RDS Room Code **OVBR-SJ**

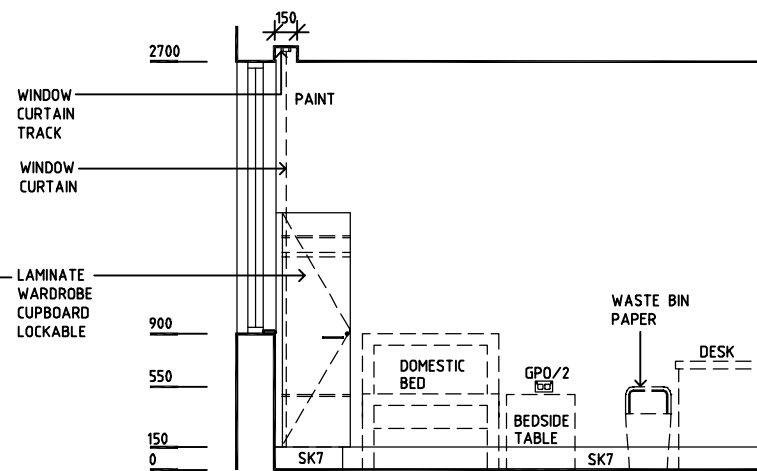
- AS ADJUSTABLE SHELF
- COM/2 COMMUNICATION OUTLET - DOUBLE
- FS FIXED SHELF
- GPO/S GENERAL POWER OUTLET- SPECIAL SINGLE
- GPO/2 GENERAL POWER OUTLET - DOUBLE
- LS/ENS LIGHT SWITCH - ENSUITE
- LS/R LIGHT SWITCH - ROOM
- SK7 TIMBER SKIRTING



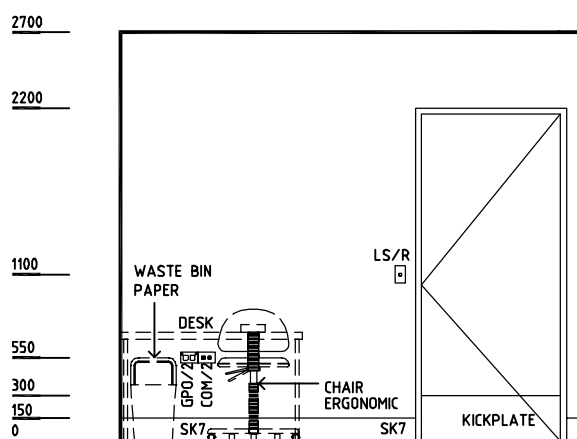
**PLAN**



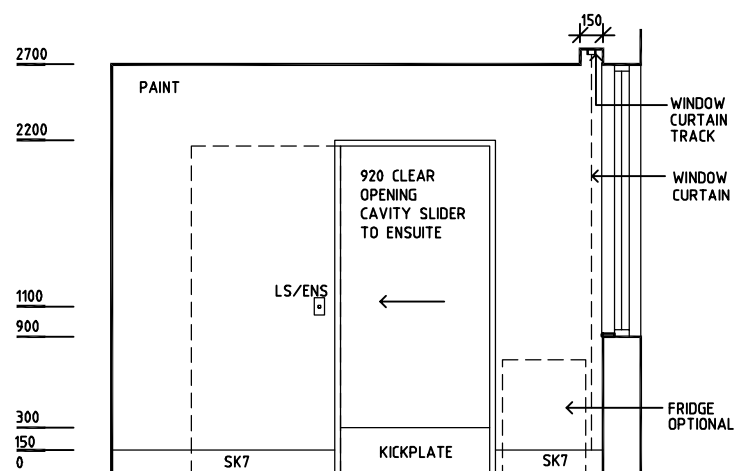
**ELEVATION 1**



**ELEVATION 2**



**ELEVATION 3**



**ELEVATION 4**

REV	DESCRIPTION	DATE	BY	REV	DESCRIPTION	DATE	BY	REV	DESCRIPTION	DATE	BY
1	FIRST ISSUE	14.03.2014	AA								

	DESIGNED	APPROVED	DATE	SCALE(S)	SHEET
	CC	DB	30.12.13	1:50 in A3	1 of 1
	CAD FILE NAME		PAPER DRAWING ID		ISSUE
OVBR-SJ		OVBR-SJ		1	

Sharjah Health Facility Guidelines at:  
[www.healthdesign.com.au/shcc/hfg](http://www.healthdesign.com.au/shcc/hfg)  
 Editable version of Standard Components on  
 Health Facility Briefing System (HFBS) at:  
[www.healthdesign.com.au](http://www.healthdesign.com.au)  
 Provided by TAHPI