

SHARJAH HEALTHCARE CITY STANDARD COMPONENTS

Room Layout Sheet

Room Name **Operating Room - Large**

RLS Room Code **ORLA-SJ**

RDS Room Code **ORLA-SJ**

- AM ANAESTHETIC MACHINE
- AT ANAESTHETIC TROLLEY
- BS BOWL STAND
- COM/2 COMMUNICATION OUTLET - DOUBLE
- DIA DIATHERMY
- DGL DOUBLE GLAZED WITH INTEGRAL VENETIAN BLINDS
- DDG DISPENSER - DISPOSABLE GLOVE
- DP DOOR AND FRAME PROTECTION
- EPJ EQUIPOTENTIAL JUNCTION BOX
- GPO/1 GENERAL POWER OUTLET - SINGLE
- GPO/1 EP EMERGENCY POWER - SINGLE
- GPO/2 GENERAL POWER OUTLET - DOUBLE
- GPO/C GENERAL POWER OUTLET - CLEANER'S
- GT GOWNING TROLLEY
- IV INTRAVENOUS STAND
- IT INSTRUMENT TROLLEY
- KB KICK BUCKET
- MT MAYO TABLE
- OPS OBSERVATION PANEL WITH SLIDING PANEL
- PC2 PLASTERBOARD CORNICE, FLUSH COVERED
- RA RETURN AIR
- RCD RESIDUAL CURRENT DEVICE
- SK4 FLOOR VINYL COVERED SKIRTING
- SR SCRUB RESISTANT
- ST STOOL
- V1 VINYL FLOORING, STANDARD SLIP RESISTANT
- WB WHITEBOARD

- SERVICES PANEL P1 GPO/1 EP X 3
RCD
SURGICAL TOOL AIR CONTROL PANEL
TOURNIQUET AIR & CONTROL PANEL
GAS ALARM MONITOR
EPJ PANEL

- SERVICES PANEL P2 CLOCKS CONTROLS
GPO/1 X 2
RCD
LIGHT SWITCHES
OPERATING LIGHT CONTROLS

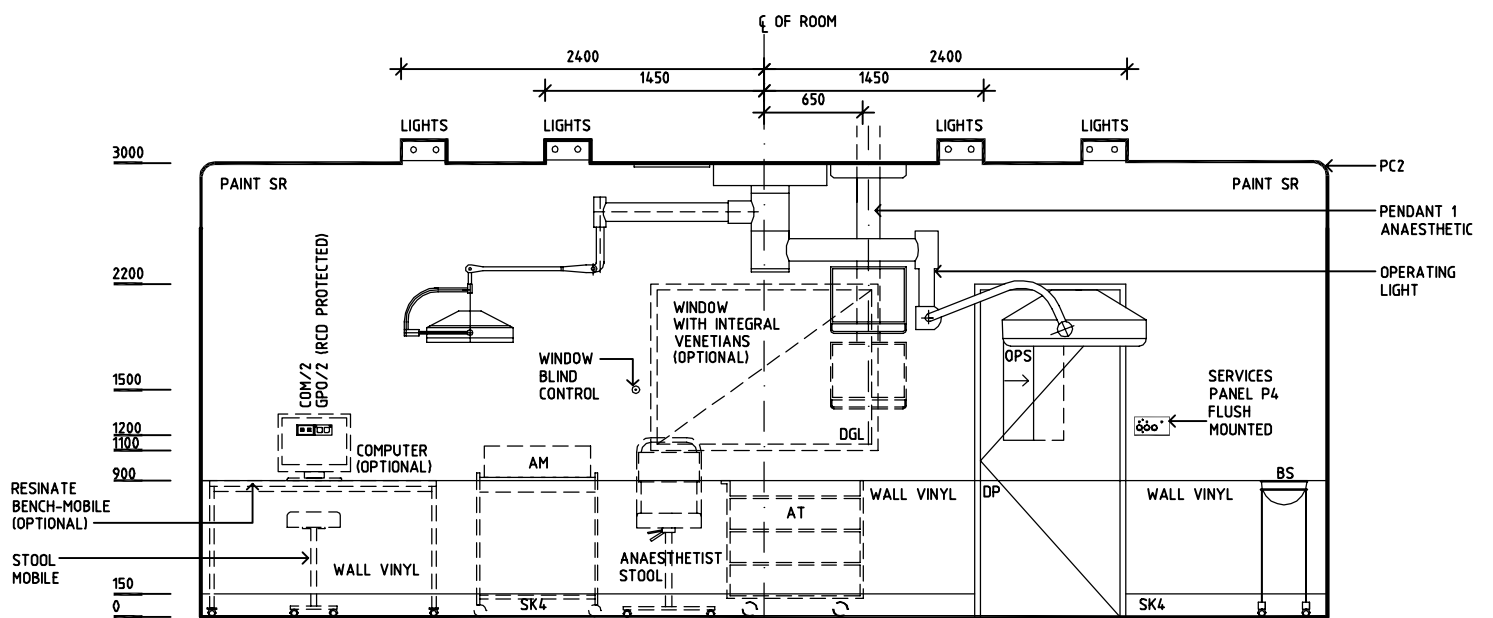
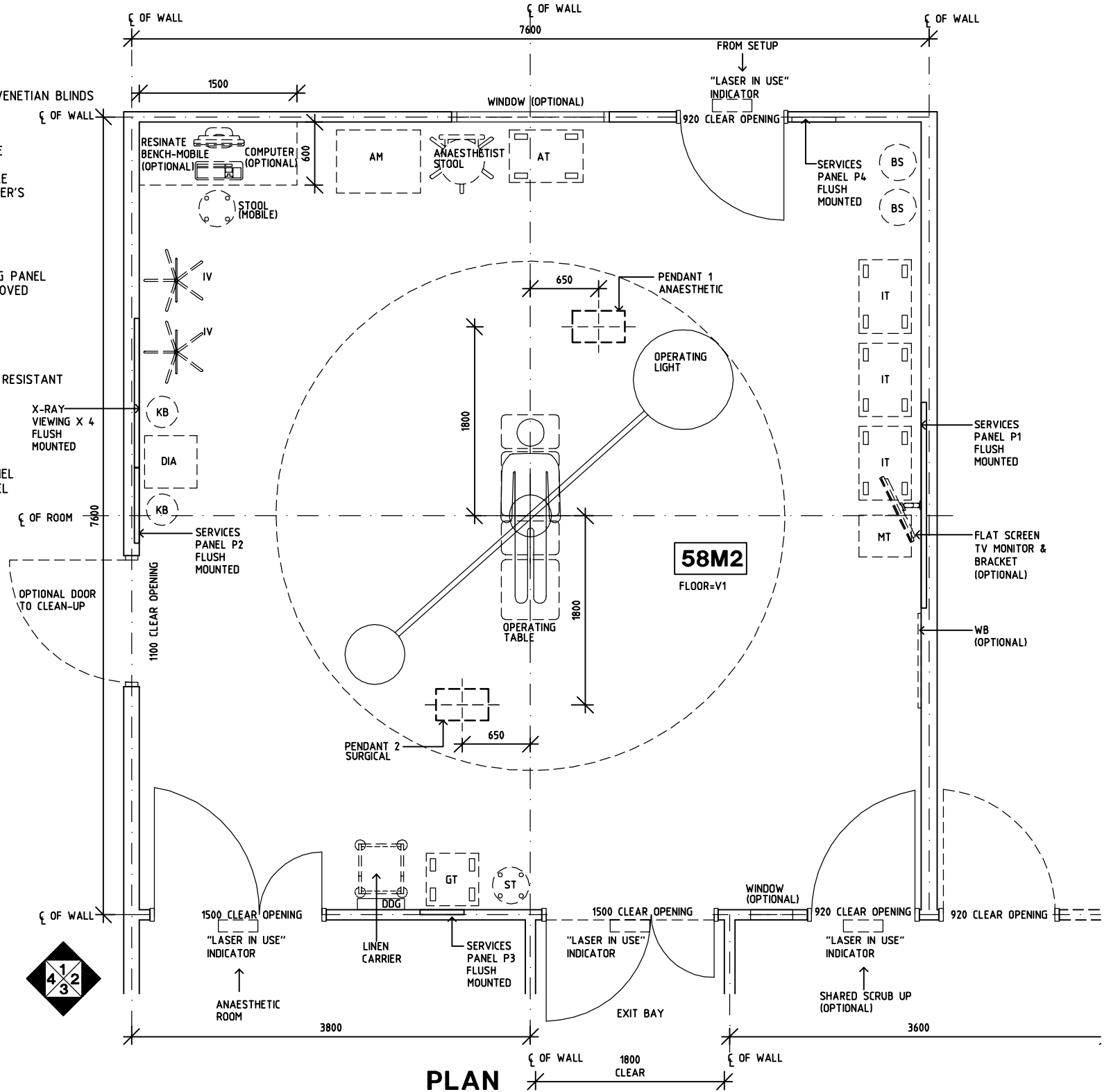
- SERVICES PANEL P3 GPO/1 X 2
GPO 20AMP (OPTIONAL)
RCD

- SERVICES PANEL P4 NURSE/STAFF ASSIST CALL
PORTER CALL (OPTIONAL)
EMERGENCY CALL
LASER-IN-USE INDICATOR

- SERVICES PANEL P5 LINE ISOLATION MONITOR
OVERLOAD MONITOR

- PENDANT 1 ANAESTHETIC COM/2
GPO/1 X 4
GPO/1 EP X 4
RCD
OXYGEN x 2
NITROUS OXIDE x 1
MEDICAL AIR x 1
SUCTION X 2
SCAVENGE x 1
TOOL AIR X 1

- PENDANT 2 SURGICAL COM/2
GPO/1 X 4
GPO/1 EP X 4
RCD
OXYGEN x 2
NITROUS OXIDE x 1
MEDICAL AIR x 1
SUCTION X 2
SCAVENGE x 1
TOOL AIR X 1



ELEVATION 1

REV	DESCRIPTION	DATE	BY	REV	DESCRIPTION	DATE	BY	REV	DESCRIPTION	DATE	BY
1	FIRST ISSUE	14.03.2014	AA								



Sharjah Health Facility Guidelines at:
www.healthdesign.com.au/shccfg
Editable version of Standard Components on
Health Facility Briefing System (HFBS) at:
www.healthdesign.com.au
Provided by TAHPI

DESIGNED	APPROVED	DATE	SCALE(S)	SHEET
CC	DB	30.12.13	1:50 in A3	1 of 2
CAD FILE NAME		PAPER DRAWING ID		ISSUE
ORLA-SJ		ORLA-SJa		1

SHARJAH HEALTHCARE CITY STANDARD COMPONENTS

Room Layout Sheet

Room Name **Operating Room - Large**

RLS Room Code **ORLA-SJ**

RDS Room Code **ORLA-SJ**

- AM ANAESTHETIC MACHINE
- AT ANAESTHETIC TROLLEY
- BS BOWL STAND
- COM/2 COMMUNICATION OUTLET - DOUBLE
- DIA DIATHERMY
- DGL DOUBLE GLAZED WITH INTEGRAL VENETIAN BLINDS
- DDG DISPENSER - DISPOSABLE GLOVE
- DP DOOR AND FRAME PROTECTION
- EPJ EQUIPOTENTIAL JUNCTION BOX
- GPO/1 GENERAL POWER OUTLET - SINGLE
- GPO/1 EP EMERGENCY POWER - SINGLE
- GPO/2 GENERAL POWER OUTLET - DOUBLE
- GPO/C GENERAL POWER OUTLET - CLEANER'S
- GT GOWNING TROLLEY
- IV INTRAVENOUS STAND
- IT INSTRUMENT TROLLEY
- KB KICK BUCKET
- MT MAYO TABLE
- OPS OBSERVATION PANEL WITH SLIDING PANEL
- PC2 PLASTERBOARD CORNICE, FLUSH COVERED
- RA RETURN AIR
- RCD RESIDUAL CURRENT DEVICE
- SK4 FLOOR VINYL COVERED SKIRTING
- SR SCRUB RESISTANT
- ST STOOL
- V1 VINYL FLOORING, STANDARD SLIP RESISTANT
- WB WHITEBOARD

- SERVICES PANEL P1
- GPO/1 EP X 3
 - RCD
 - SURGICAL TOOL AIR CONTROL PANEL
 - TOURNIQUET AIR & CONTROL PANEL
 - GAS ALARM MONITOR
 - EPJ PANEL

- SERVICES PANEL P2
- CLOCKS CONTROLS
 - GPO/1 X 2
 - RCD
 - LIGHT SWITCHES
 - OPERATING LIGHT CONTROLS

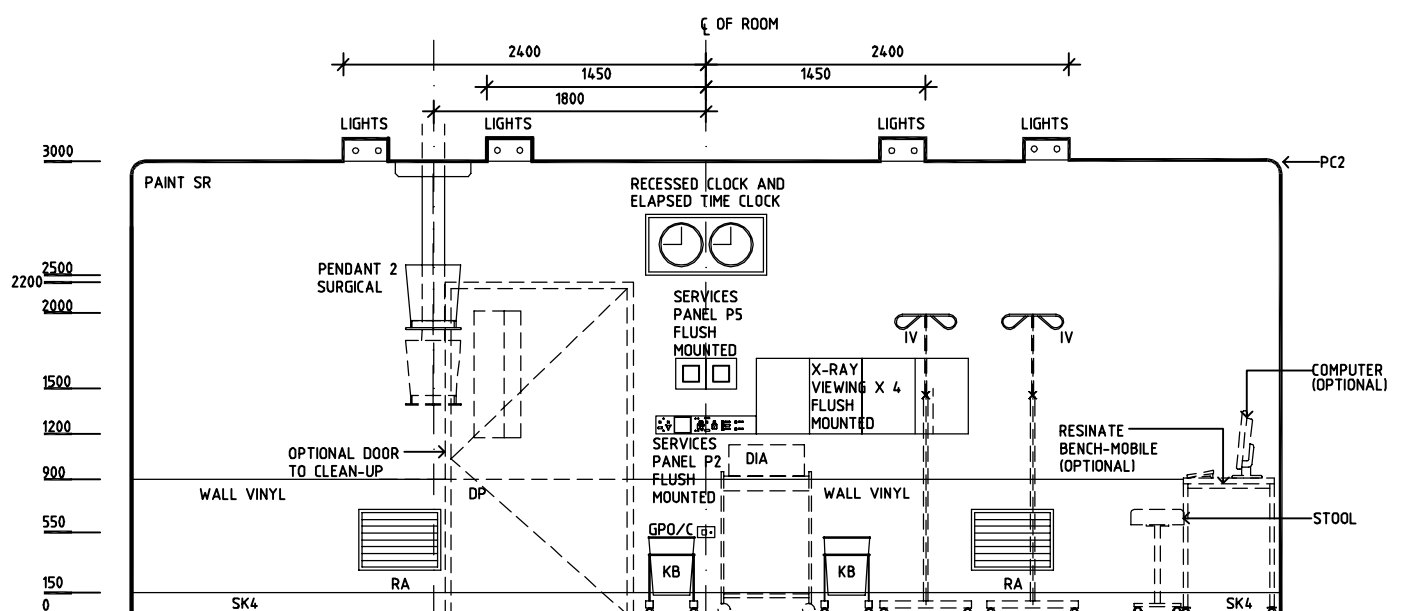
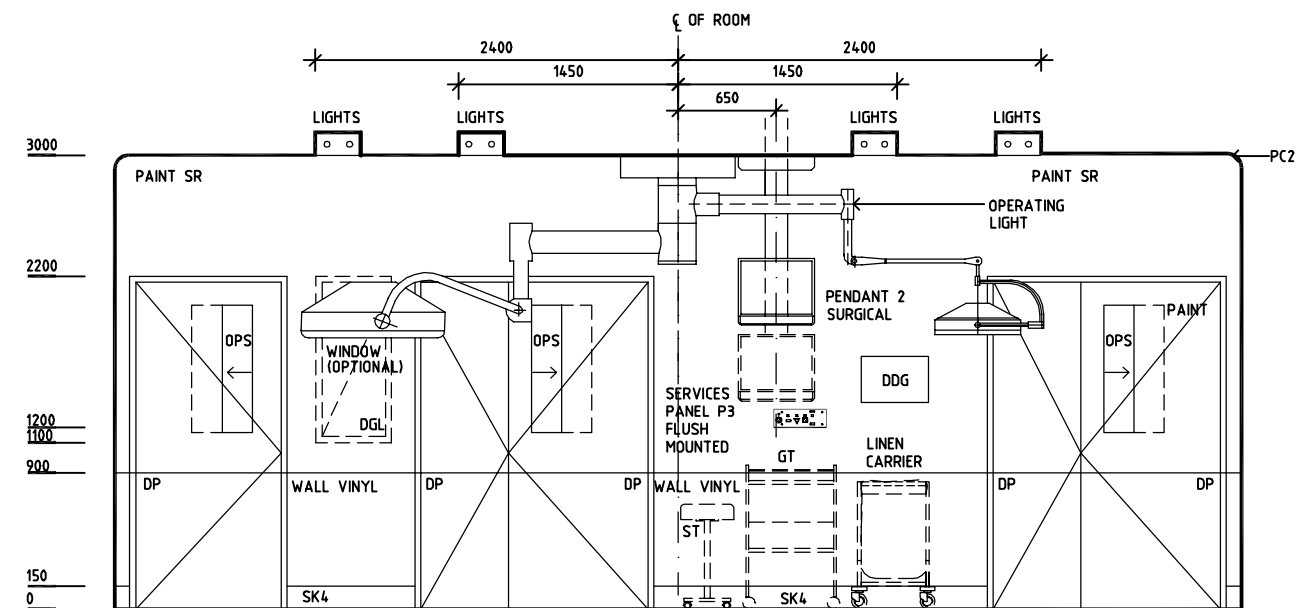
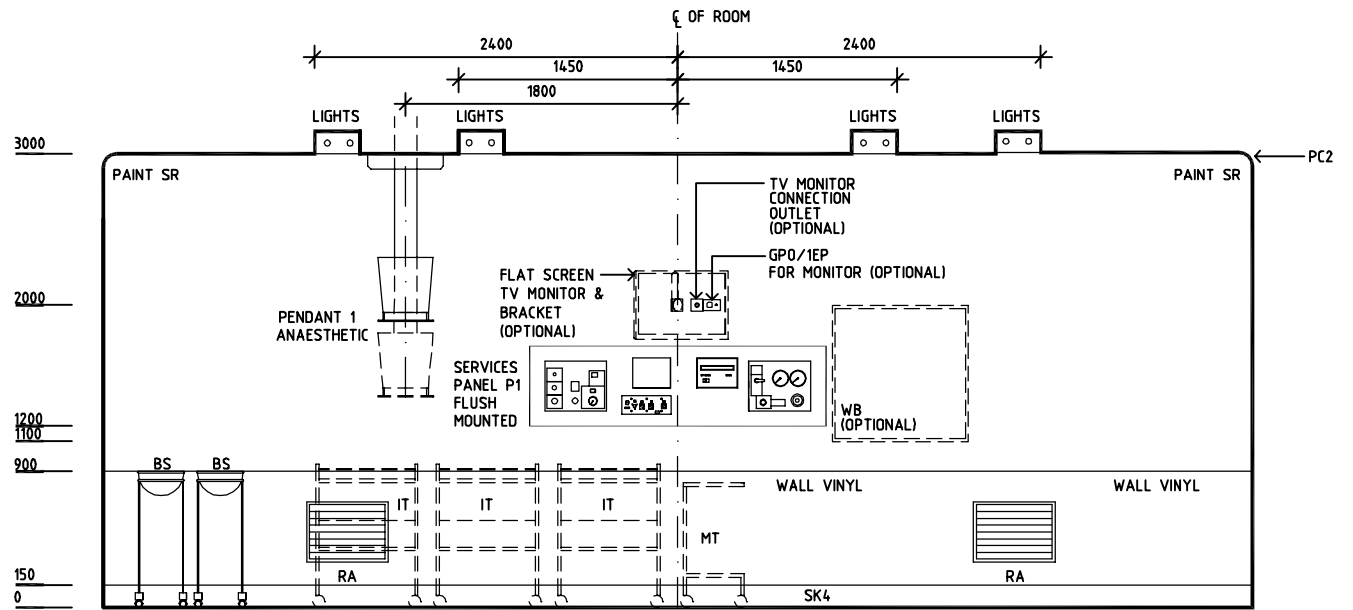
- SERVICES PANEL P3
- GPO/1 X 2
 - GPO 20AMP (OPTIONAL)
 - RCD

- SERVICES PANEL P4
- NURSE/STAFF ASSIST CALL
 - PORTER CALL (OPTIONAL)
 - EMERGENCY CALL
 - LASER-IN-USE INDICATOR

- SERVICES PANEL P5
- LINE ISOLATION MONITOR
 - OVERLOAD MONITOR

- PENDANT 1 ANAESTHETIC
- COM/2
 - GPO/1 X 4
 - GPO/1 EP X 4
 - RCD
 - OXYGEN x 2
 - NITROUS OXIDE x 1
 - MEDICAL AIR x 1
 - SUCTION X 2
 - SCAVENGE x 1
 - TOOL AIR X 1

- PENDANT 2 SURGICAL
- COM/2
 - GPO/1 X 4
 - GPO/1 EP X 4
 - RCD
 - OXYGEN x 2
 - NITROUS OXIDE x 1
 - MEDICAL AIR x 1
 - SUCTION X 2
 - SCAVENGE x 1
 - TOOL AIR X 1



REV	DESCRIPTION	DATE	BY	REV	DESCRIPTION	DATE	BY	REV	DESCRIPTION	DATE	BY
1	FIRST ISSUE	14.03.2014	AA								



Sharjah Health Facility Guidelines at:
www.healthdesign.com.au/shcc/hfg
 Editable version of Standard Components on
 Health Facility Briefing System (HFBS) at:
www.healthdesign.com.au
 Provided by TAHP1

DESIGNED	APPROVED	DATE	SCALE(S)	SHEET
CC	DB	30.12.13	1:50 in A3	2 of 2
CAD FILE NAME		PAPER DRAWING ID		ISSUE
ORLA-SJ		ORLA-SJb		1