

# SHARJAH HEALTHCARE CITY STANDARD COMPONENTS

Room Layout Sheet

Room Name **Operating Room - Hybrid - CT Scanning Room**

RLS Room Code **OR-HY-CT-SJ**

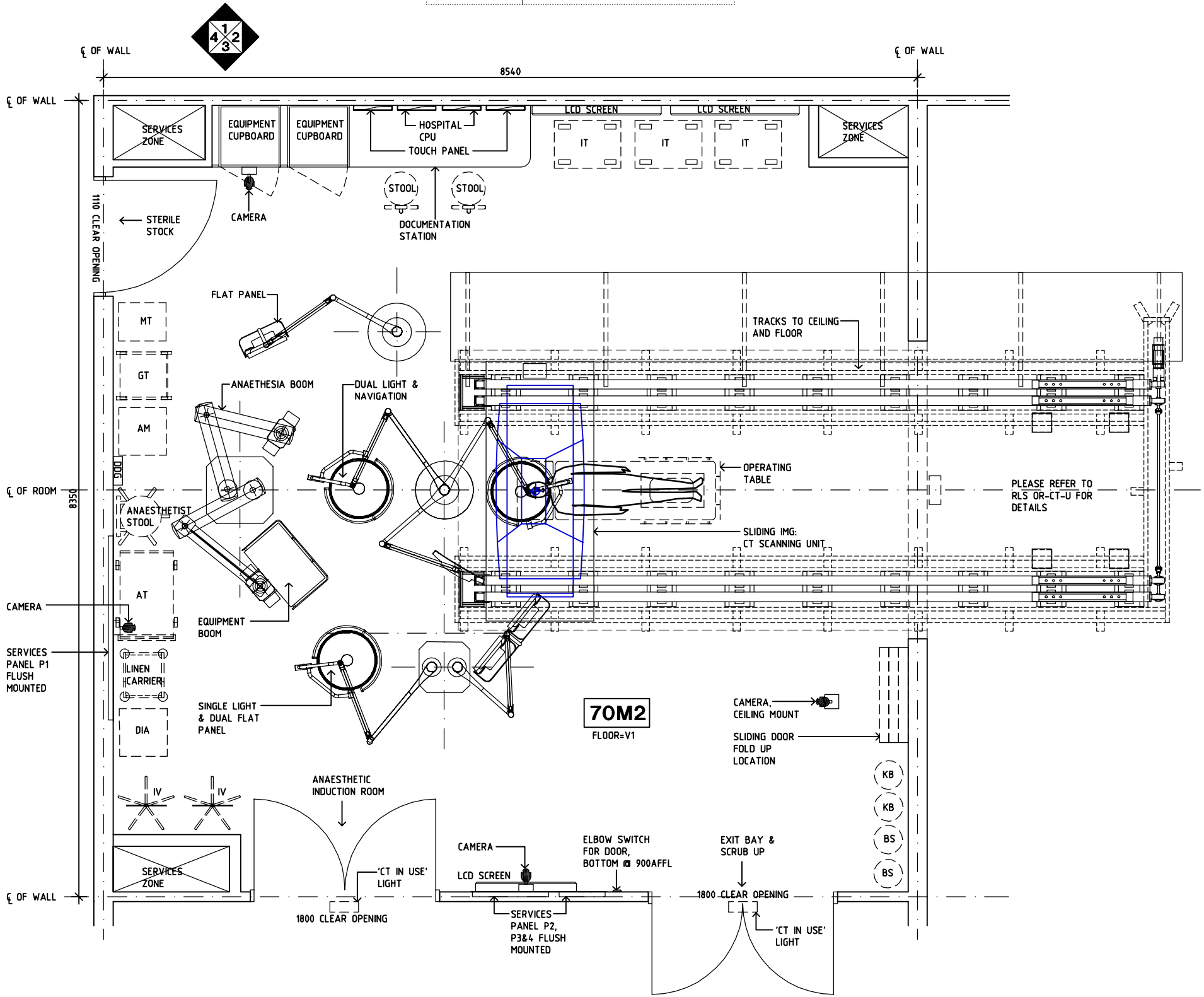
RDS Room Code **OR-HY-CT-SJ**

- AM ANAESTHETIC MACHINE
- AT ANAESTHETIC TROLLEY
- BS BOWL STAND
- CG CORNER GUARD
- COM/2 COMMUNICATION OUTLET - DOUBLE
- DIA DIATHERMY
- DDG DISPENSER - DISPOSABLE GLOVE
- DP DOOR AND FRAME PROTECTION
- EPJ EQUIPOTENTIAL JUNCTION BOX
- GPO/1 GENERAL PURPOSE OUTLET - SINGLE
- GPO/1 EP EMERGENCY POWER - SINGLE
- GPO/2 GENERAL PURPOSE OUTLET - DOUBLE
- GPO/C GENERAL PURPOSE OUTLET - SINGLE, CLEANER
- GPO/S GENERAL PURPOSE OUTLET - SINGLE, SPECIAL
- GT GOWNING TROLLEY
- IT INSTRUMENT TROLLEY
- IV INTRAVENOUS STAND
- KB KICK BUCKET
- LS/DD LIGHT SWITCH + DIMMER FOR DOWNLIGHTS
- LS/R LIGHT SWITCH - ROOM
- MA MEDICAL AIR
- MT MAYO TABLE
- N2O NITROUS OXIDE
- NA NURSE ASSIST CALL
- O2 OXYGEN
- OPS OBSERVATION PANEL WITH SLIDING PANEL
- PC2 PLASTERBOARD CORNICE, FLUSH COVERED
- RA RETURN AIR
- RCD RESIDUAL CURRENT DEVICE
- S SUCTION
- SBB SUCTION BOTTLE BRACKET
- SC SCAVENGE OUTLET
- SK4 FLOOR FINISH COVERED SKIRTING
- SR SCRUB RESISTANT
- V1 VINYL FLOORING, STANDARD SLIP RESISTANT

|  |  |
|--|--|
| <b>ANAESTHESIA BOOM</b>                | AUDIO/VIDEO x 1<br>BOOM MOTOR POWER 10A x 1<br>COM/2 x 1<br>EARTH STUDS x 2<br>GPO/2 EP x 3<br>GPO/2 UPS x 3<br>GPO/S UPS 20A x 1<br>MEDICAL AIR x 1<br>NITROUS OXIDE x 1<br>OXYGEN x 2<br>SCAVENGE x 1<br>SUCTION x 2 |
| <b>EQUIPMENT BOOM</b>                  | AUDIO/VIDEO x 1<br>BOOM MOTOR POWER 10A x 1<br>COM/2 x 1<br>CO2 x 1<br>EARTH STUD x 4<br>GPO/2 EP x 4<br>GPO/2 UPS x 4<br>MEDICAL AIR x 1<br>SUCTION x 4<br>TOOL AIR x 2   |
| <b>DOCUMENTATION STATION SERVICES:</b> |  |
| A                                      | GPO/2 EP-RCD   |
| B                                      | GPO/2 UPS-RCD  |
| C                                      | ANALOGUE TELEPHONE COM/1   |
| D                                      | HOSPITAL LAN COM/1   |
| F                                      | AV INPUT PLATE   |

|                          |  |
|--------------------------|--|
| <b>SERVICES PANEL P1</b> | GPO/1 EP x 3<br>RCD<br>SURGICAL TOOL AIR CONTROL PANEL<br>TOURNIQUET AIR & CONTROL PANEL<br>GAS ALARM MONITOR<br>EPJ PANEL |
| <b>SERVICES PANEL P2</b> | CLOCKS CONTROLS<br>GPO/1 x 2<br>RCD<br>LIGHT SWITCHES  |
| <b>SERVICES PANEL P3</b> | GPO/1 x 1<br>GPO 20AMP (OPTIONAL)<br>RCD<br>RCD XRAY IN USE SWITCH   |
| <b>SERVICES PANEL P4</b> | NURSE/STAFF ASSIST CALL<br>PORTER CALL<br>EMERGENCY CALL<br>LASER-IN-USE INDICATOR SWITCH<br>X-RAY-IN-USE INDICATOR SWITCH |
| <b>SERVICES PANEL P5</b> | LINE ISOLATION MONITOR<br>OVERLOAD MONITOR   |

**NOTE:**  
PROVIDE 1 x UNREGULATED TOOL AIR TO EACH PENDANT FOR PENDANT PNEUMATIC BRAKE



**PLAN**

| REV | DESCRIPTION | DATE       | BY | REV | DESCRIPTION | DATE | BY | REV | DESCRIPTION | DATE | BY |
|-----|-------------|------------|----|-----|-------------|------|----|-----|-------------|------|----|
| 1   | FIRST ISSUE | 14.03.2014 | AA |     |             |      |    |     |             |      |    |



Sharjah Health Facility Guidelines at:  
www.healthdesign.com.au/shccfg  
Editable version of Standard Components on  
Health Facility Briefing System (HFBS) at:  
www.healthdesign.com.au  
Provided by TAHPI

|               |          |                  |            |        |
|---------------|----------|------------------|------------|--------|
| DESIGNED      | APPROVED | DATE             | SCALE(S)   | SHEET  |
| CC            | DB       | 30.12.13         | 1:50 in A3 | 1 of 2 |
| CAD FILE NAME |          | PAPER DRAWING ID |            | ISSUE  |
| OR-HY-CT-SJ   |          | OR-HY-CT-SJa     |            | 1      |

# SHARJAH HEALTHCARE CITY STANDARD COMPONENTS

Room Layout Sheet

Room Name **Operating Room - Hybrid - CT Scanning Room**

RLS Room Code **OR-HY-CT-SJ**  
RDS Room Code **OR-HY-CT-SJ**

- AM ANAESTHETIC MACHINE
- AT ANAESTHETIC TROLLEY
- BS BOWL STAND
- CG CORNER GUARD
- COM/2 COMMUNICATION OUTLET - DOUBLE
- DIA DIATHERMY
- DDG DISPENSER - DISPOSABLE GLOVE
- DP DOOR AND FRAME PROTECTION
- EPJ EQUIPOTENTIAL JUNCTION BOX
- GPO/1 GENERAL PURPOSE OUTLET - SINGLE
- GPO/1 EP EMERGENCY POWER - SINGLE
- GPO/2 GENERAL PURPOSE OUTLET - DOUBLE
- GPO/C GENERAL PURPOSE OUTLET - SINGLE, CLEANER
- GPO/S GENERAL PURPOSE OUTLET - SINGLE, SPECIAL
- GT GOWNING TROLLEY
- IT INSTRUMENT TROLLEY
- IV INTRAVENOUS STAND
- KB KICK BUCKET
- LS/DD LIGHT SWITCH + DIMMER FOR DOWNLIGHTS
- LS/R LIGHT SWITCH - ROOM
- MA MEDICAL AIR
- MT MAYO TABLE
- N2O NITROUS OXIDE
- NA NURSE ASSIST CALL
- O2 OXYGEN
- OPS OBSERVATION PANEL WITH SLIDING PANEL
- PC2 PLASTERBOARD CORNICE, FLUSH COVERED
- RA RETURN AIR
- RCD RESIDUAL CURRENT DEVICE
- S SUCTION
- SBB SUCTION BOTTLE BRACKET
- SC SCAVENGE OUTLET
- SK4 FLOOR FINISH COVERED SKIRTING
- SR SCRUB RESISTANT
- V1 VINYL FLOORING, STANDARD SLIP RESISTANT

- ANAESTHESIA BOOM**
- AUDIO/VIDEO x 1
  - BOOM MOTOR POWER 10A x 1
  - COM/2 x 1
  - EARTH STUDS x 2
  - GPO/2 EP x 3
  - GPO/2 UPS x 3
  - GPO/S UPS 20A x 1
  - MEDICAL AIR x 1
  - NITROUS OXIDE x 1
  - OXYGEN x 2
  - SCAVENGE x 1
  - SUCTION x 2

- EQUIPMENT BOOM**
- AUDIO/VIDEO x 1
  - BOOM MOTOR POWER 10A x 1
  - COM/2 x 1
  - CO2 x 1
  - EARTH STUD x 4
  - GPO/2 EP x 4
  - GPO/2 UPS x 4
  - MEDICAL AIR x 1
  - SUCTION x 4
  - TOOL AIR x 2

- SERVICES PANEL P1**
- GPO/1 EP x 3
  - RCD
  - SURGICAL TOOL AIR CONTROL PANEL
  - TOURNIQUET AIR & CONTROL PANEL
  - GAS ALARM MONITOR
  - EPJ PANEL

- SERVICES PANEL P2**
- CLOCKS CONTROLS
  - GPO/1 x 2
  - RCD
  - LIGHT SWITCHES

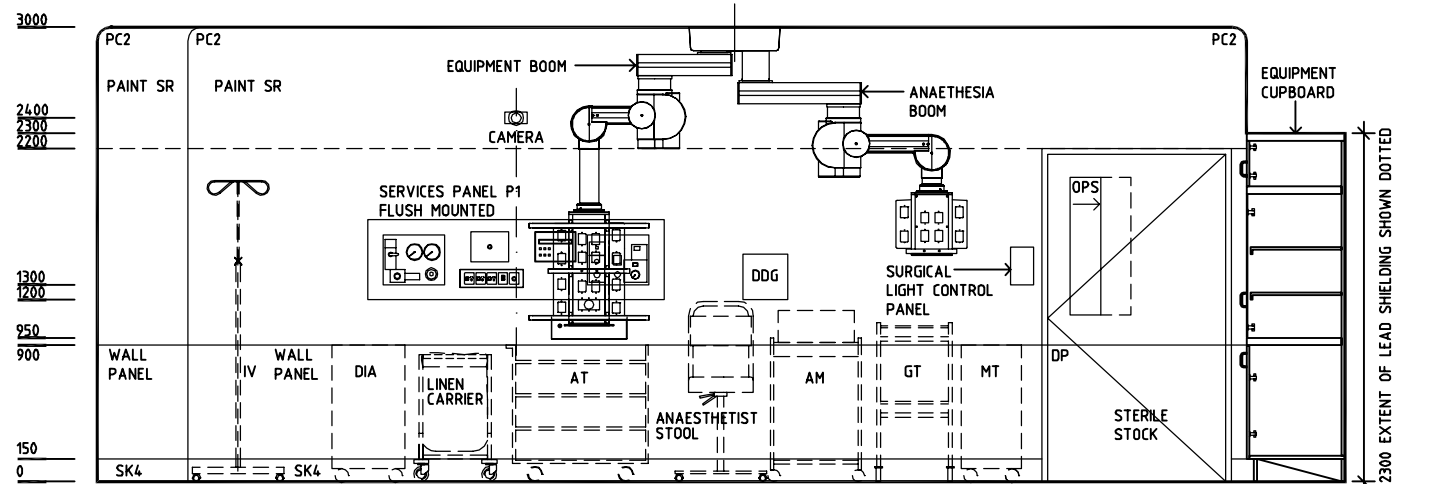
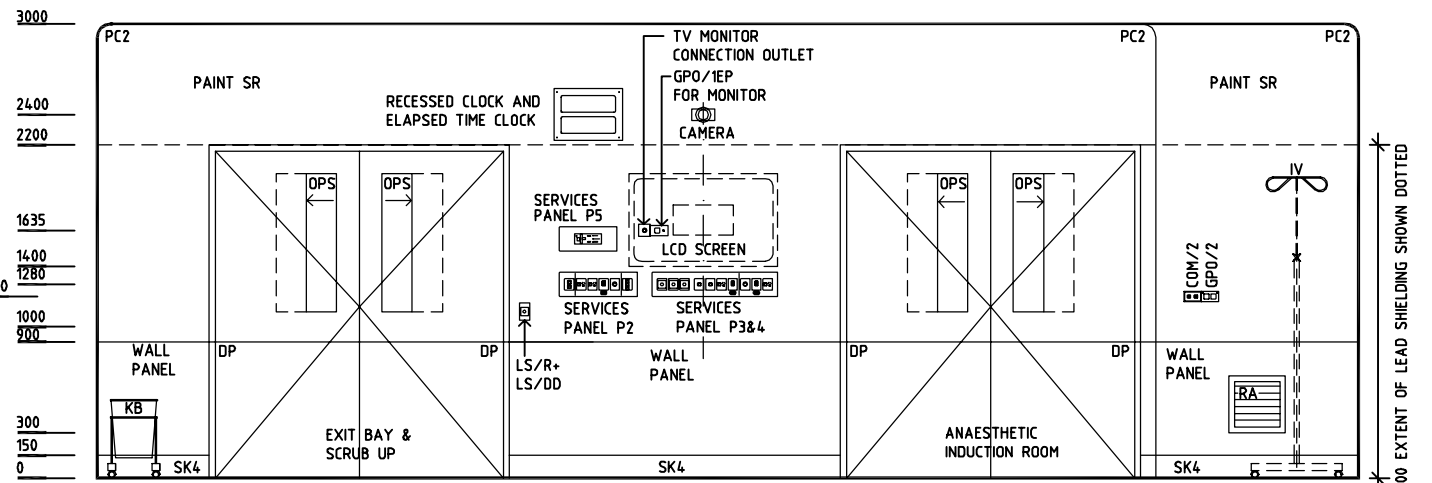
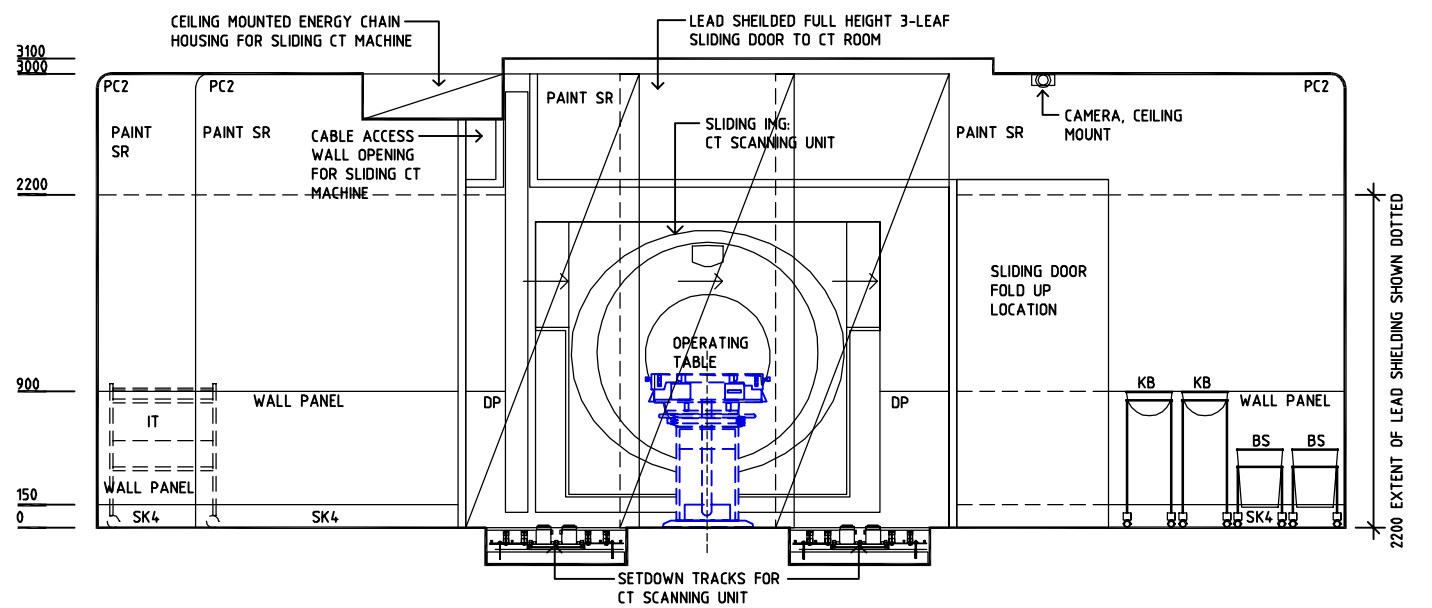
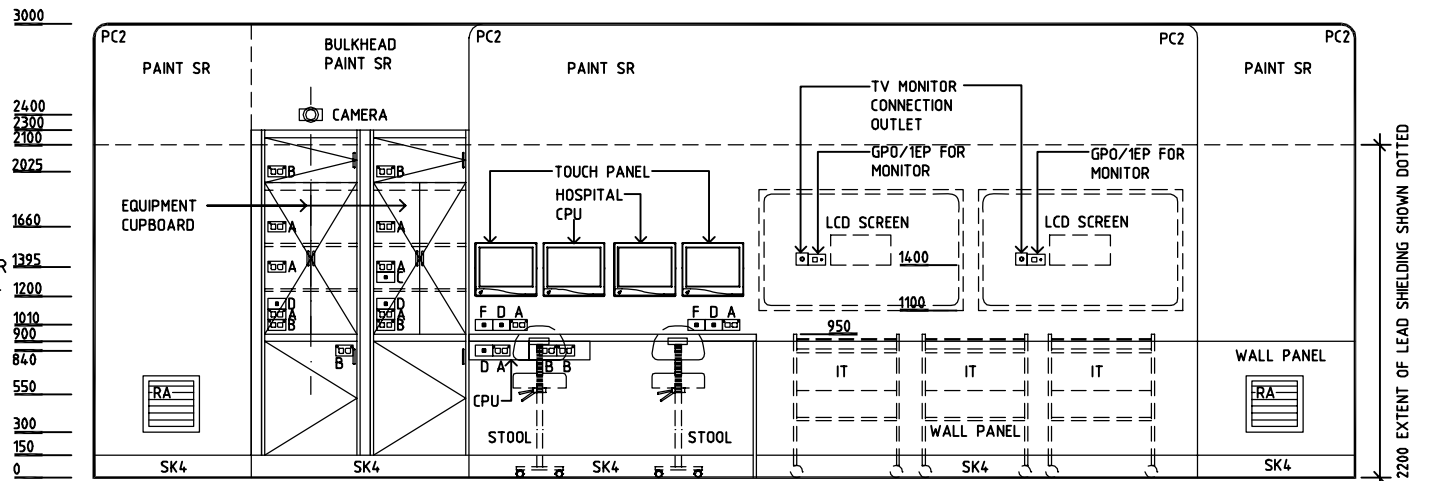
- SERVICES PANEL P3**
- GPO/1 x 1
  - GPO 20AMP (OPTIONAL)
  - RCD
  - RCD XRAY IN USE SWITCH

- SERVICES PANEL P4**
- NURSE/STAFF ASSIST CALL
  - PORTER CALL
  - EMERGENCY CALL
  - LASER-IN-USE INDICATOR SWITCH
  - X-RAY-IN-USE INDICATOR SWITCH

- SERVICES PANEL P5**
- LINE ISOLATION MONITOR
  - OVERLOAD MONITOR

- DOCUMENTATION STATION SERVICES:**
- A GPO/2 EP-RCD
  - B GPO/2 UPS-RCD
  - C ANALOGUE TELEPHONE COM/1
  - D HOSPITAL LAN COM/1
  - F AV INPUT PLATE

**NOTE:**  
PROVIDE 1 x UNREGULATED TOOL AIR TO EACH PENDANT FOR PENDANT PNEUMATIC BRAKE



| REV | DESCRIPTION | DATE       | BY | REV | DESCRIPTION | DATE | BY | REV | DESCRIPTION | DATE | BY |
|-----|-------------|------------|----|-----|-------------|------|----|-----|-------------|------|----|
| 1   | FIRST ISSUE | 14.03.2014 | AA |     |             |      |    |     |             |      |    |



Sharjah Health Facility Guidelines at:  
www.healthdesign.com.au/shccfg  
Editable version of Standard Components on  
Health Facility Briefing System (HFBS) at:  
www.healthdesign.com.au  
Provided by TAHPI

| DESIGNED      | APPROVED | DATE             | SCALE(S)   | SHEET  |
|---------------|----------|------------------|------------|--------|
| CC            | DB       | 30.12.13         | 1:50 in A3 | 1 of 2 |
| CAD FILE NAME |          | PAPER DRAWING ID |            | ISSUE  |
| OR-HY-CT-SJ   |          | OR-HY-CT-SJb     |            | 1      |

This document is for advisory purpose only