

SHARJAH HEALTHCARE CITY STANDARD COMPONENTS

Room Layout Sheet

Room Name **Operating Room - Digital**

RLS Room Code **OR-DIG-SJ**
RDS Room Code **OR-DIG-SJ**

- CC CLOCK CONTROL
- CO2 CARBON DIOXIDE
- COM/1 COMMUNICATION OUTLET - SINGLE
- COM/2 COMMUNICATION OUTLET - DOUBLE
- DDG DISPENSER - DISPOSABLE GLOVE
- DP DOOR AND FRAME PROTECTION
- EC EMERGENCY CALL
- ELCB'S EARTH LEAKAGE CIRCUIT BREAKERS
- EPJ EQUIPOTENTIAL JUNCTION BOX
- GPO/1 GENERAL POWER OUTLET - SINGLE
- GPO/1EP EMERGENCY POWER OUTLET - SINGLE
- GPO/1UPS UNINTERRUPTIBLE POWER OUTLET - SINGLE
- GPO/2 GENERAL POWER OUTLET - DOUBLE
- GPO/2UPS UNINTERRUPTIBLE POWER OUTLET - DOUBLE
- LCP LIGHT & CAMERA WALL CONTROL PANEL
- LS/T LIGHT SWITCH - TASK LIGHT
- MA MEDICAL AIR
- MGP MEDICAL GAS ALARM PANEL
- N2O NITROUS OXIDE
- NA NURSE ASSIST CALL
- O2 OXYGEN
- OPS OBSERVATION PANEL WITH SLIDING PANEL
- PC2 PLASTERBOARD CORNICE, FLUSH COVERED
- RCD RESIDUAL CURRENT DEVICE
- S SUCTION
- SC SCAVENGE
- SK4 FLOOR VINYL COVERED SKIRTING
- SR SCRUB RESISTANT
- V1 VINYL FLOORING, STANDARD SLIP RESISTANT
- WB WHITE BOARD
- WT WALL TELEPHONE
- WV WALL VINYL
- XRV/4 X-RAY VIEWER, 4 SCREEN



- ANAESTHESIA BOOM**
- 1 X COM/2
 - 1 X AUDIO/VIDEO
 - 4 X GPO/1EP (RED)
 - 4 X GPO/1UPS (BLUE)
 - 1 X 20AMP GPO WITH UPS
 - 1 X MA
 - 2 X O2
 - 1 X SC
 - 1 X N2O
 - 2 X S

- EQUIPMENT BOOM**
- 1 X COM/2
 - 2 X AUDIO/VIDEO
 - 8 X GPO/1EP (RED)
 - 8 X GPO/1UPS (BLUE)
 - 1 X CO2
 - 1 X MA
 - 1 X O2
 - 1 X TOOL AIR
 - 2 X S

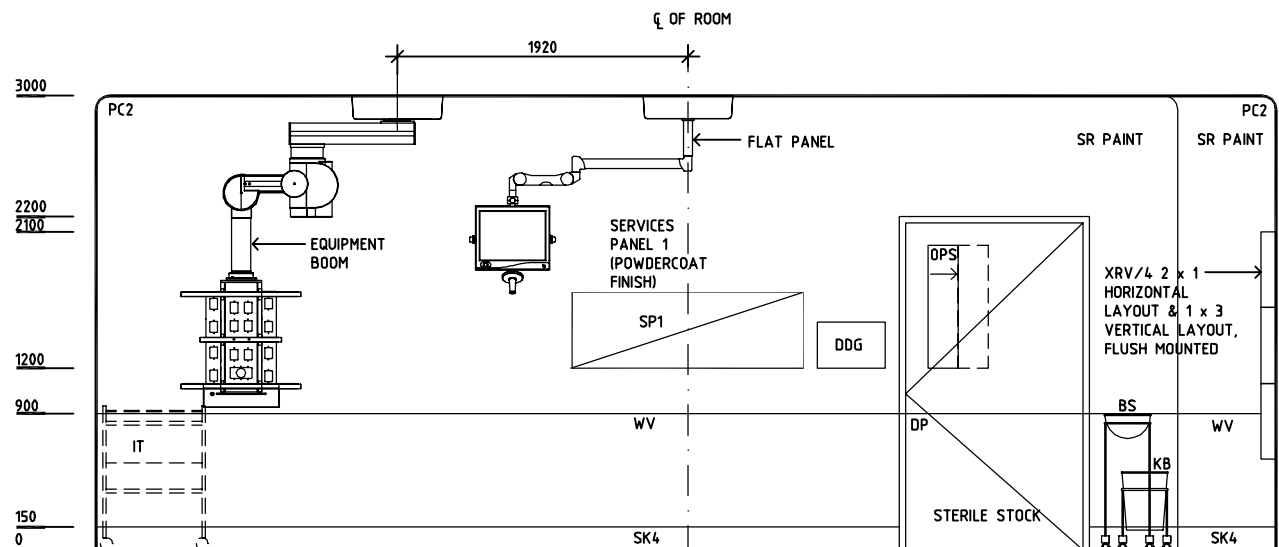
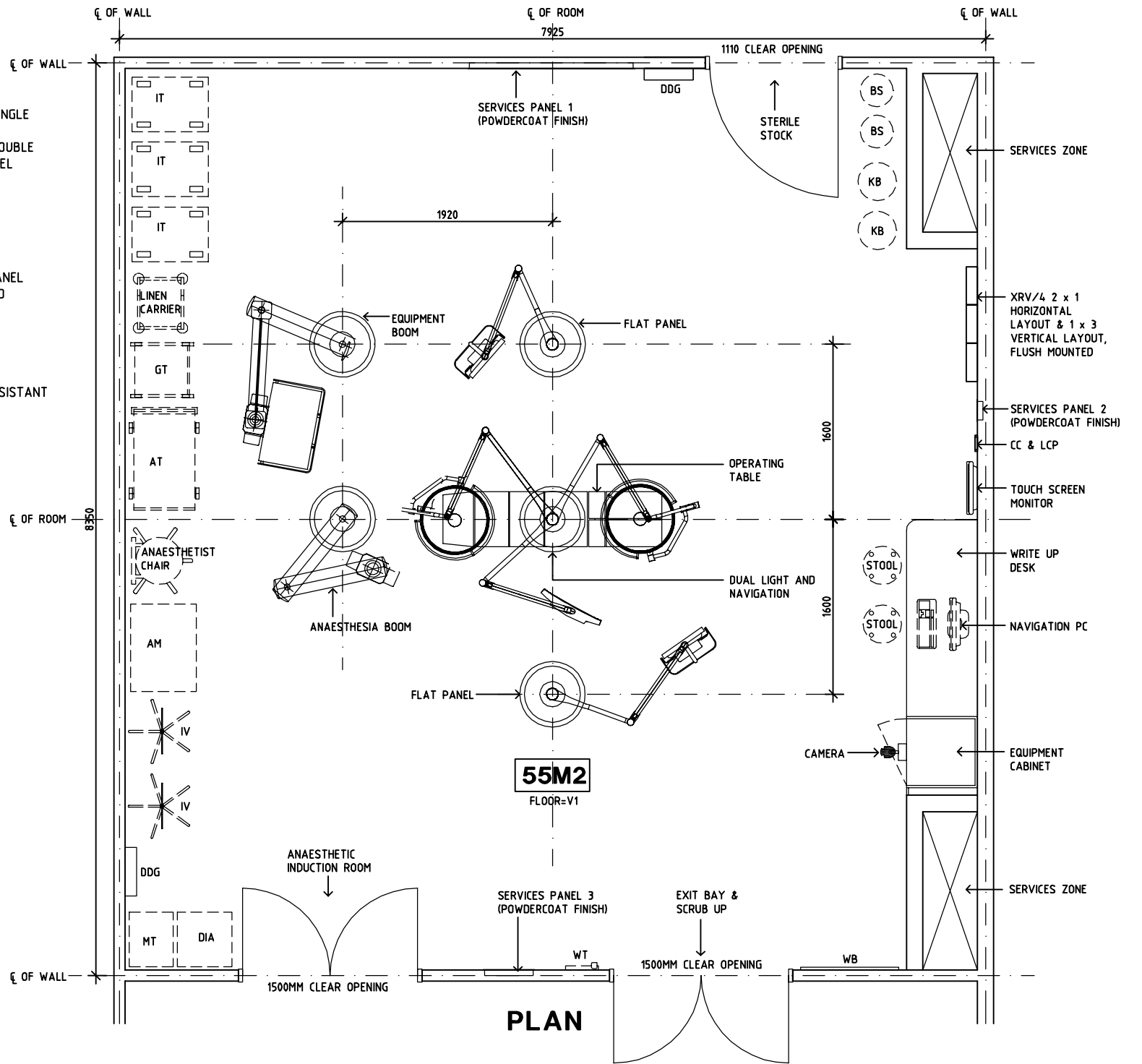
- SERVICES PANEL 1**
- ELCB'S
 - SURGICAL TOOL AIR AND CONTROL PANEL
 - THEATRE LIGHT CONTROL PANEL (SEPARATE)
 - MGP
 - EPJ
 - RCD'S
 - LIGHT SWITCH PANEL
 - 2 X GPO/1

- SERVICES PANEL 2**
- 2 X GPO/1
 - CLOCK CONTROL (SEPARATE)

- SERVICES PANEL 3**
- 2 X GPO/1
 - 1 X EC
 - 1 X NA
 - 1 X ORDERLY/PORTER CALL

- DOCUMENTATION STATION**
- EQUIPMENT
 - 1 X COM/1 (TO HOSPITAL NETWORK)
 - 1 X COM/1 (FOR ANALOGUE TEL)
 - 4 X GPO/2EP (RED)
 - 3 X GPO/2UPS (BLUE)
 - DOCTOR'S WORKSTATION
 - 1 X GPO/2 (AT ABOVE BENCH HEIGHT)
 - 1 X COM/2 (AT ABOVE BENCH HEIGHT)

NOTE:
TOOL AIR UNREGULATED TO EACH BOOM FOR BOOM BRAKE



ELEVATION 1

REV	DESCRIPTION	DATE	BY	REV	DESCRIPTION	DATE	BY	REV	DESCRIPTION	DATE	BY
1	FIRST ISSUE	14.03.2014	AA								



Sharjah Health Facility Guidelines at:
www.healthdesign.com.au/shcc/hfg
Editable version of Standard Components on
Health Facility Briefing System (HFBS) at:
www.healthdesign.com.au
Provided by TAHPI

DESIGNED	APPROVED	DATE	SCALE(S)	SHEET
CC	DB	30.12.13	1:50 in A3	1 of 2
CAD FILE NAME		PAPER DRAWING ID		ISSUE
OR-DIG-SJ		OR-DIG-SJa		1

This document is for advisory purpose only

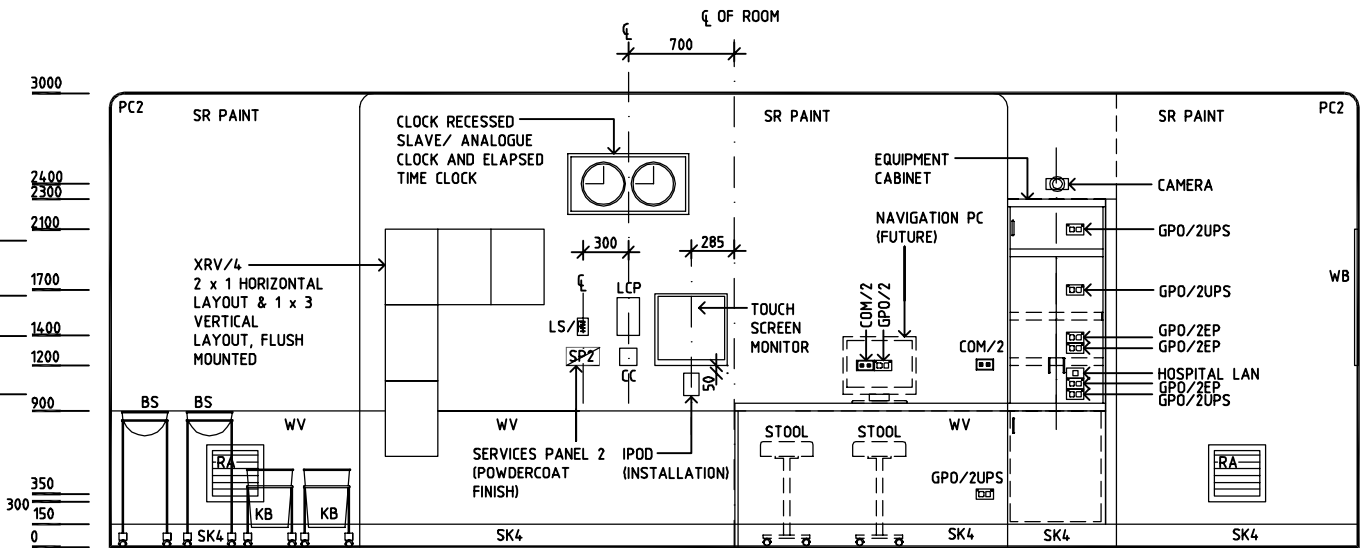
SHARJAH HEALTHCARE CITY STANDARD COMPONENTS

Room Layout Sheet

Room Name **Operating Room - Digital**

RLS Room Code **OR-DIG-SJ**
RDS Room Code **OR-DIG-SJ**

- CC CLOCK CONTROL
- CO2 CARBON DIOXIDE
- COM/1 COMMUNICATION OUTLET - SINGLE
- COM/2 COMMUNICATION OUTLET - DOUBLE
- DDG DISPENSER - DISPOSABLE GLOVE
- DP DOOR AND FRAME PROTECTION
- EC EMERGENCY CALL
- ELCB'S EARTH LEAKAGE CIRCUIT BREAKERS
- EPJ EQUIPOTENTIAL JUNCTION BOX
- GPO/1 GENERAL POWER OUTLET - SINGLE
- GPO/1EP EMERGENCY POWER OUTLET - SINGLE
- GPO/1UPS UNINTERRUPTIBLE POWER OUTLET - SINGLE
- GPO/2 GENERAL POWER OUTLET - DOUBLE
- GPO/2UPS UNINTERRUPTIBLE POWER OUTLET - DOUBLE
- LCP LIGHT & CAMERA WALL CONTROL PANEL
- LS/T LIGHT SWITCH - TASK LIGHT
- MA MEDICAL AIR
- MGP MEDICAL GAS ALARM PANEL
- N20 NITROUS OXIDE
- NA NURSE ASSIST CALL
- O2 OXYGEN
- OPS OBSERVATION PANEL WITH SLIDING PANEL
- PC2 PLASTERBOARD CORNICE, FLUSH COVERED
- RCD RESIDUAL CURRENT DEVICE
- S SUCTION
- SC SCAVENGE
- SK4 FLOOR VINYL COVERED SKIRTING
- SR SCRUB RESISTANT
- V1 VINYL FLOORING, STANDARD SLIP RESISTANT
- WB WHITE BOARD
- WT WALL TELEPHONE
- WV WALL VINYL
- XRV/4 X-RAY VIEWER, 4 SCREEN



- ANAESTHESIA BOOM**
- 1 X COM/2
 - 1 X AUDIO/VIDEO
 - 4 X GPO/1EP (RED)
 - 4 X GPO/1UPS (BLUE)
 - 1 X 20AMP GPO WITH UPS
 - 1 X MA
 - 2 X O2
 - 1 X SC
 - 1 X N20
 - 2 X S

- EQUIPMENT BOOM**
- 1 X COM/2
 - 2 X AUDIO/VIDEO
 - 8 X GPO/1EP (RED)
 - 8 X GPO/1UPS (BLUE)
 - 1 X CO2
 - 1 X MA
 - 1 X O2
 - 1 X TOOL AIR
 - 2 X S

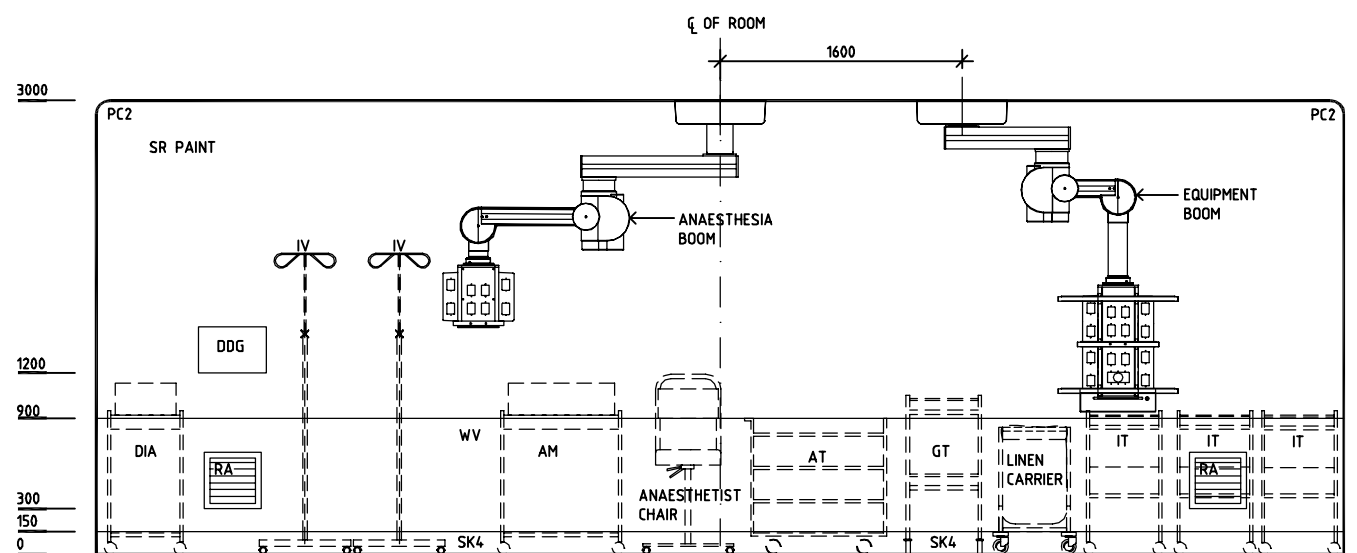
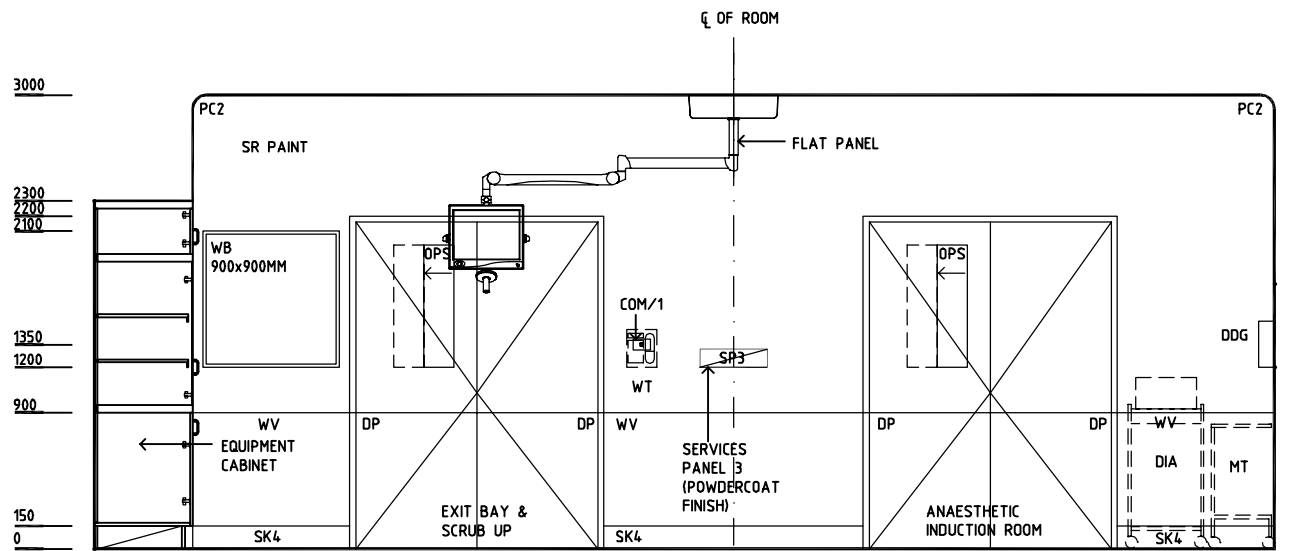
- SERVICES PANEL 1**
- ELCB'S
 - SURGICAL TOOL AIR AND CONTROL PANEL
 - THEATRE LIGHT CONTROL PANEL (SEPARATE)
 - MGP
 - EPJ
 - RCD'S
 - LIGHT SWITCH PANEL
 - 2 X GPO/1

- SERVICES PANEL 2**
- 2 X GPO/1
 - CLOCK CONTROL (SEPARATE)

- SERVICES PANEL 3**
- 2 X GPO/1
 - 1 X EC
 - 1 X NA
 - 1 X ORDERLY/PORTER CALL

- DOCUMENTATION STATION**
- EQUIPMENT
 - 1 X COM/1 (TO HOSPITAL NETWORK)
 - 1 X COM/1 (FOR ANALOGUE TEL)
 - 4 X GPO/2EP (RED)
 - 3 X GPO/2UPS (BLUE)
 - DOCTOR'S WORKSTATION
 - 1 X GPO/2 (AT ABOVE BENCH HEIGHT)
 - 1 X COM/2 (AT ABOVE BENCH HEIGHT)

NOTE:
TOOL AIR UNREGULATED TO EACH BOOM FOR BOOM BRAKE



REV	DESCRIPTION	DATE	BY	REV	DESCRIPTION	DATE	BY	REV	DESCRIPTION	DATE	BY
1	FIRST ISSUE	14.03.2014	AA								



Sharjah Health Facility Guidelines at:
www.healthdesign.com.au/shcc/hfg
Editable version of Standard Components on
Health Facility Briefing System (HFBS) at:
www.healthdesign.com.au
Provided by TAHPI

DESIGNED	APPROVED	DATE	SCALE(S)	SHEET
CC	DB	30.12.13	1:50 in A3	2 of 2
CAD FILE NAME		PAPER DRAWING ID		ISSUE
OR-DIG-SJ		OR-DIG-SJb		1

This document is for advisory purpose only