

SHARJAH HEALTHCARE CITY STANDARD COMPONENTS

Room Layout Sheet

Room Name **Operating Room - CT Procedure**

RLS Room Code **OR-CT-SJ**

RDS Room Code **OR-CT-SJ**

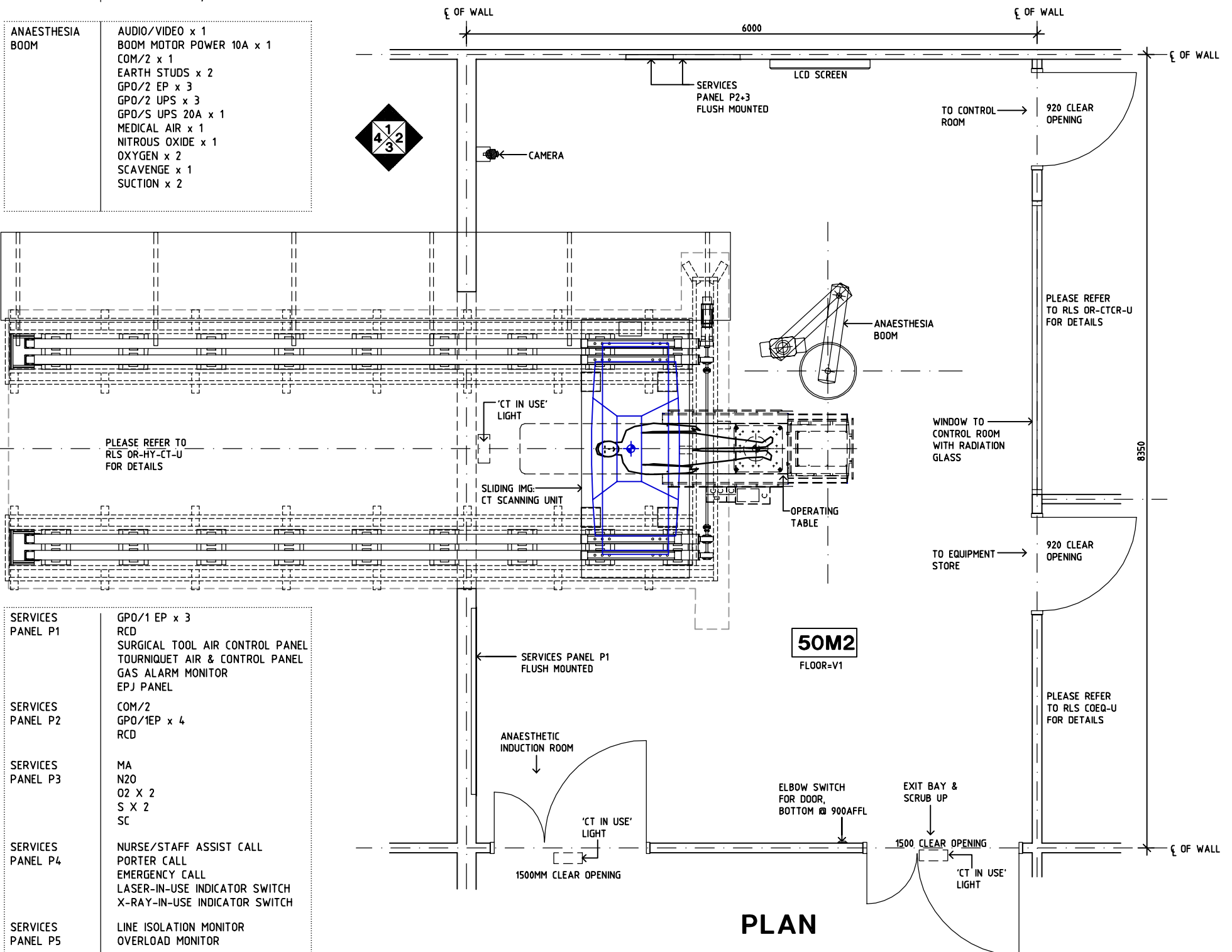
- AM ANAESTHETIC MACHINE
- AT ANAESTHETIC TROLLEY
- BS BOWL STAND
- COM/2 COMMUNICATION OUTLET - DOUBLE
- DIA DIATHERMY
- DDG DISPENSER - DISPOSABLE GLOVE
- DP DOOR AND FRAME PROTECTION
- EPJ EQUIPOTENTIAL JUNCTION BOX
- GPO/1 GENERAL PURPOSE OUTLET - SINGLE
- GPO/1 EP EMERGENCY POWER - SINGLE
- GPO/2 GENERAL PURPOSE OUTLET - DOUBLE
- GPO/C GENERAL PURPOSE OUTLET - SINGLE, CLEANER
- GPO/S GENERAL PURPOSE OUTLET - SINGLE, SPECIAL
- GT GOWNING TROLLEY
- IT INSTRUMENT TROLLEY
- IV INTRAVENOUS STAND
- KB KICK BUCKET
- LS/DD LIGHT SWITCH + DIMMER FOR DOWNLIGHTS
- LS/R LIGHT SWITCH - ROOM
- MA MEDICAL AIR
- MT MAYO TABLE
- N20 NITROUS OXIDE
- NA NURSE ASSIST CALL
- O2 OXYGEN
- OPS OBSERVATION PANEL WITH SLIDING PANEL
- PC2 PLASTERBOARD CORNICE, FLUSH COVERED
- RA RETURN AIR
- RCD RESIDUAL CURRENT DEVICE
- S SUCTION
- SBB SUCTION BOTTLE BRACKET
- SC SCAVENGE OUTLET
- SK4 FLOOR FINISH COVERED SKIRTING
- SR SCRUB RESISTANT
- V1 VINYL FLOORING, STANDARD SLIP RESISTANT

- ANAESTHESIA BOOM**
- AUDIO/VIDEO x 1
 - BOOM MOTOR POWER 10A x 1
 - COM/2 x 1
 - EARTH STUDS x 2
 - GPO/2 EP x 3
 - GPO/2 UPS x 3
 - GPO/S UPS 20A x 1
 - MEDICAL AIR x 1
 - NITROUS OXIDE x 1
 - OXYGEN x 2
 - SCAVENGE x 1
 - SUCTION x 2

- SERVICES PANEL P1**
- GPO/1 EP x 3
 - RCD
 - SURGICAL TOOL AIR CONTROL PANEL
 - TOURNIQUET AIR & CONTROL PANEL
 - GAS ALARM MONITOR
 - EPJ PANEL
- SERVICES PANEL P2**
- COM/2
 - GPO/1EP x 4
 - RCD
- SERVICES PANEL P3**
- MA
 - N20
 - O2 X 2
 - S X 2
 - SC
- SERVICES PANEL P4**
- NURSE/STAFF ASSIST CALL
 - PORTER CALL
 - EMERGENCY CALL
 - LASER-IN-USE INDICATOR SWITCH
 - X-RAY-IN-USE INDICATOR SWITCH
- SERVICES PANEL P5**
- LINE ISOLATION MONITOR
 - OVERLOAD MONITOR

- DOCUMENTATION STATION SERVICES:**
- A GPO/2 EP-RCD
 - B GPO/2 UPS-RCD
 - C ANALOGUE TELEPHONE COM/1
 - D HOSPITAL LAN COM/1
 - F AV INPUT PLATE

NOTE:
PROVIDE 1 x UNREGULATED TOOL AIR TO EACH PENDANT FOR PENDANT PNEUMATIC BRAKE



PLAN

REV	DESCRIPTION	DATE	BY	REV	DESCRIPTION	DATE	BY	REV	DESCRIPTION	DATE	BY
1	FIRST ISSUE	14.03.2014	AA								



Sharjah Health Facility Guidelines at:
www.healthdesign.com.au/shccfg
Editable version of Standard Components on
Health Facility Briefing System (HFBS) at:
www.healthdesign.com.au
Provided by TAHPI

DESIGNED	APPROVED	DATE	SCALE(S)	SHEET
CC	DB	30.12.13	1:50 in A3	1 of 2
CAD FILE NAME		PAPER DRAWING ID		ISSUE
OR-CT-SJ		OR-CT-SJa		1

This document is for advisory purpose only

SHARJAH HEALTHCARE CITY STANDARD COMPONENTS

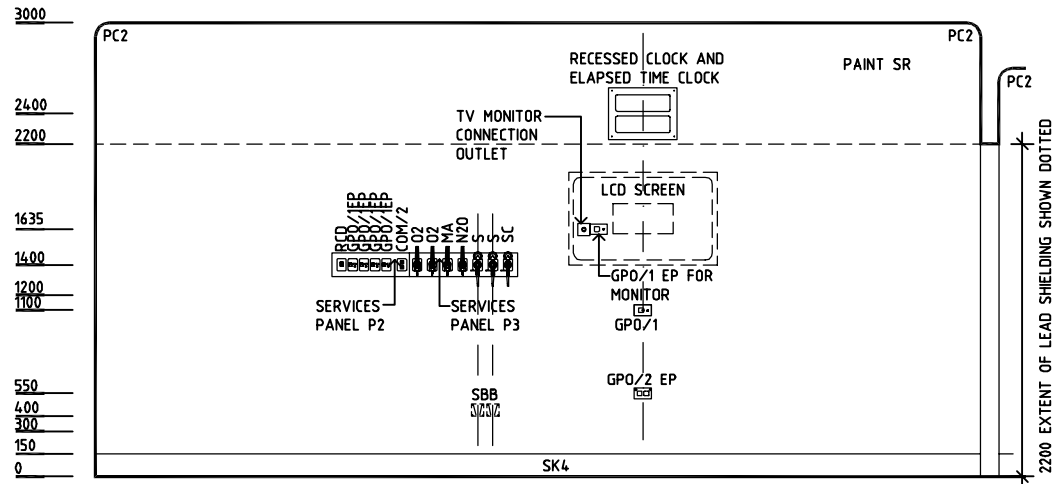
Room Layout Sheet

Room Name **Operating Room - CT Procedure**

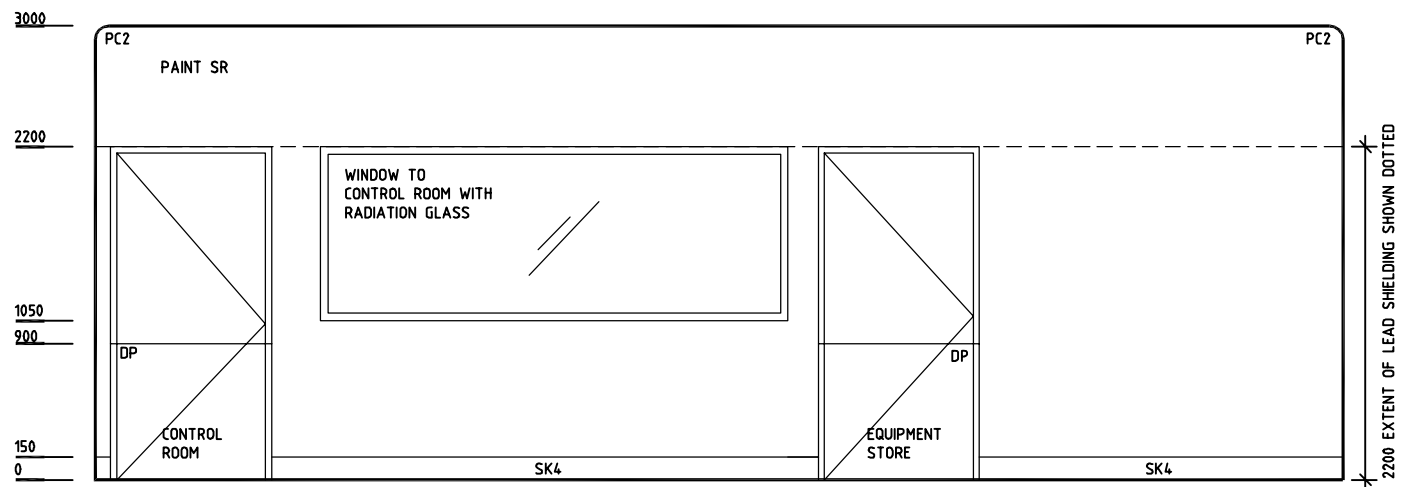
RLS Room Code **OR-CT-SJ**

RDS Room Code **OR-CT-SJ**

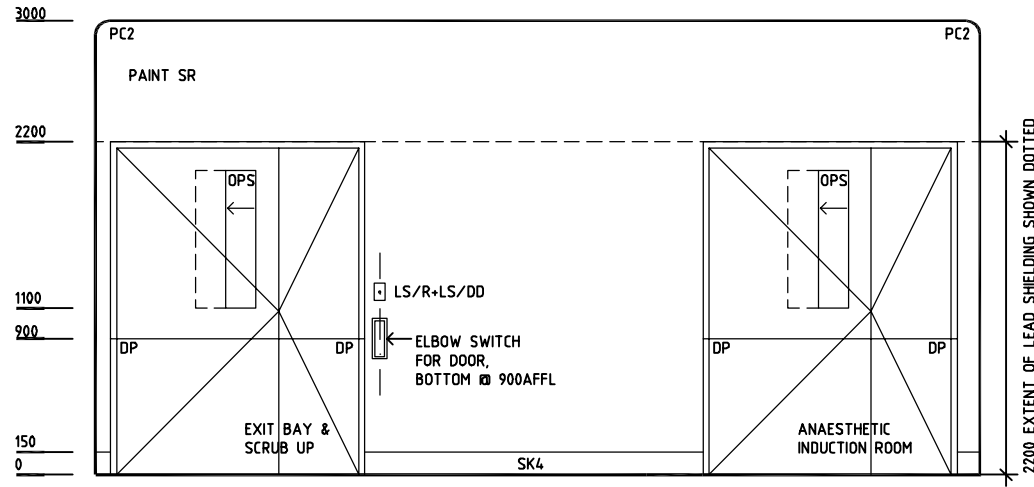
AM	ANAESTHETIC MACHINE
AT	ANAESTHETIC TROLLEY
BS	BOWL STAND
COM/2	COMMUNICATION OUTLET - DOUBLE
DIA	DIATHERMY
DDG	DISPENSER - DISPOSABLE GLOVE
DP	DOOR AND FRAME PROTECTION
EPJ	EQUIPOTENTIAL JUNCTION BOX
GPO/1	GENERAL PURPOSE OUTLET - SINGLE
GPO/1 EP	EMERGENCY POWER - SINGLE
GPO/2	GENERAL PURPOSE OUTLET - DOUBLE
GPO/C	GENERAL PURPOSE OUTLET - SINGLE, CLEANER
GPO/S	GENERAL PURPOSE OUTLET - SINGLE, SPECIAL
GT	GOWNING TROLLEY
IT	INSTRUMENT TROLLEY
IV	INTRAVENOUS STAND
KB	KICK BUCKET
LS/DD	LIGHT SWITCH + DIMMER FOR DOWNLIGHTS
LS/R	LIGHT SWITCH - ROOM
MA	MEDICAL AIR
MT	MAYO TABLE
N20	NITROUS OXIDE
NA	NURSE ASSIST CALL
O2	OXYGEN
OPS	OBSERVATION PANEL WITH SLIDING PANEL
PC2	PLASTERBOARD CORNICE, FLUSH COVERED
RA	RETURN AIR
RCD	RESIDUAL CURRENT DEVICE
S	SUCTION
SBB	SUCTION BOTTLE BRACKET
SC	SCAVENGE OUTLET
SK4	FLOOR FINISH COVERED SKIRTING
SR	SCRUB RESISTANT
V1	VINYL FLOORING, STANDARD SLIP RESISTANT



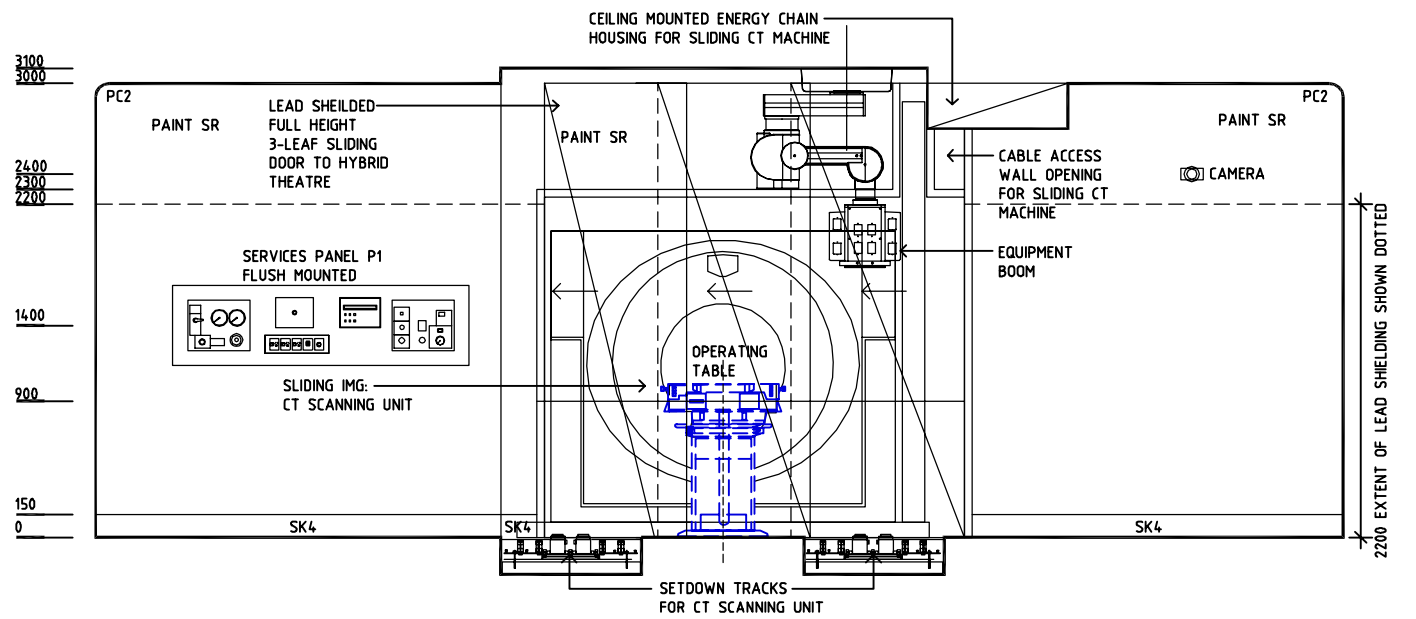
ELEVATION 1



ELEVATION 2



ELEVATION 3



ELEVATION 4

ANAESTHESIA BOOM	AUDIO/VIDEO x 1 BOOM MOTOR POWER 10A x 1 COM/2 x 1 EARTH STUDS x 2 GPO/2 EP x 3 GPO/2 UPS x 3 GPO/S UPS 20A x 1 MEDICAL AIR x 1 NITROUS OXIDE x 1 OXYGEN x 2 SCAVENGE x 1 SUCTION x 2
------------------	--

SERVICES PANEL P1	GPO/1 EP x 3 RCD SURGICAL TOOL AIR CONTROL PANEL TOURNIQUET AIR & CONTROL PANEL GAS ALARM MONITOR EPJ PANEL
SERVICES PANEL P2	COM/2 GPO/1EP x 4 RCD
SERVICES PANEL P3	MA N20 O2 X 2 S X 2 SC
SERVICES PANEL P4	NURSE/STAFF ASSIST CALL PORTER CALL EMERGENCY CALL LASER-IN-USE INDICATOR SWITCH X-RAY-IN-USE INDICATOR SWITCH
SERVICES PANEL P5	LINE ISOLATION MONITOR OVERLOAD MONITOR

DOCUMENTATION STATION SERVICES:	
A	GPO/2 EP-RCD
B	GPO/2 UPS-RCD
C	ANALOGUE TELEPHONE COM/1
D	HOSPITAL LAN COM/1
F	AV INPUT PLATE

NOTE:
PROVIDE 1 x UNREGULATED TOOL AIR TO EACH PENDANT FOR PENDANT PNEUMATIC BRAKE

REV	DESCRIPTION	DATE	BY	REV	DESCRIPTION	DATE	BY	REV	DESCRIPTION	DATE	BY
1	FIRST ISSUE	14.03.2014	AA								



Sharjah Health Facility Guidelines at:
www.healthdesign.com.au/shcc/hfg
Editable version of Standard Components on
Health Facility Briefing System (HFBS) at:
www.healthdesign.com.au
Provided by TAHPI

DESIGNED	APPROVED	DATE	SCALE(S)	SHEET
CC	DB	30.12.13	1:50 in A3	2 of 2
CAD FILE NAME		PAPER DRAWING ID		ISSUE
OR-CT-SJ		OR-CT-SJb		1

This document is for advisory purpose only