

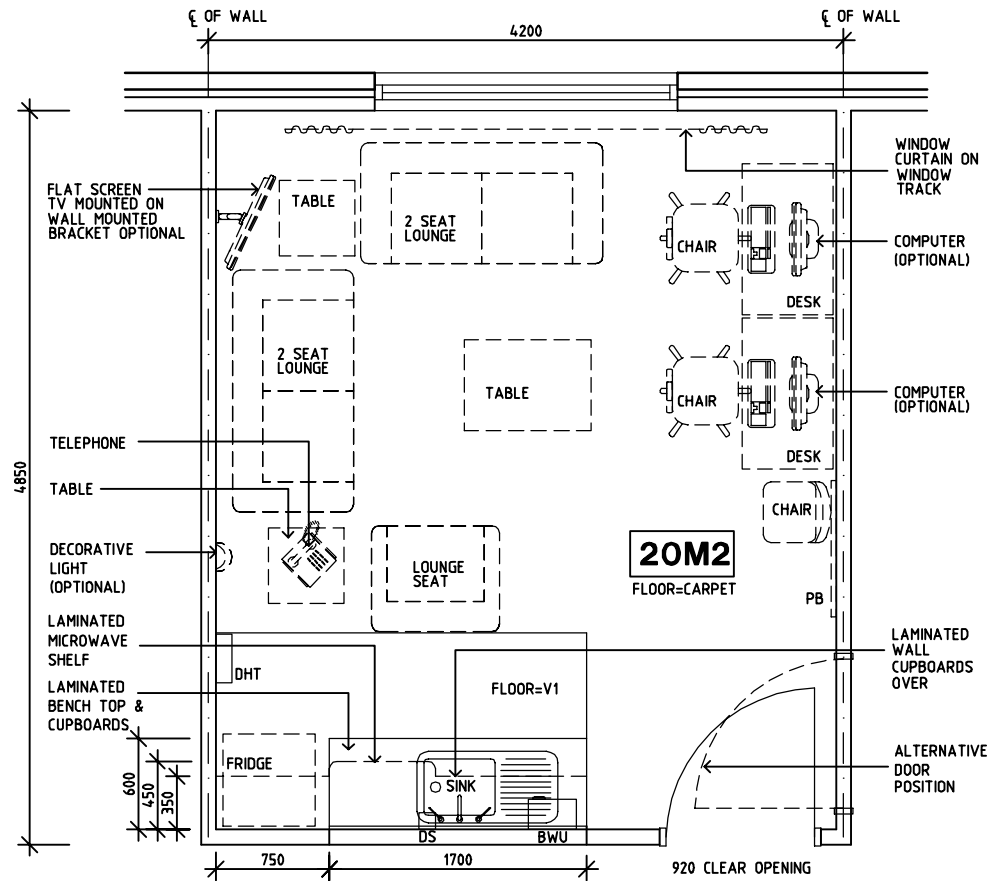
# SHARJAH HEALTHCARE CITY STANDARD COMPONENTS

Room Layout Sheet

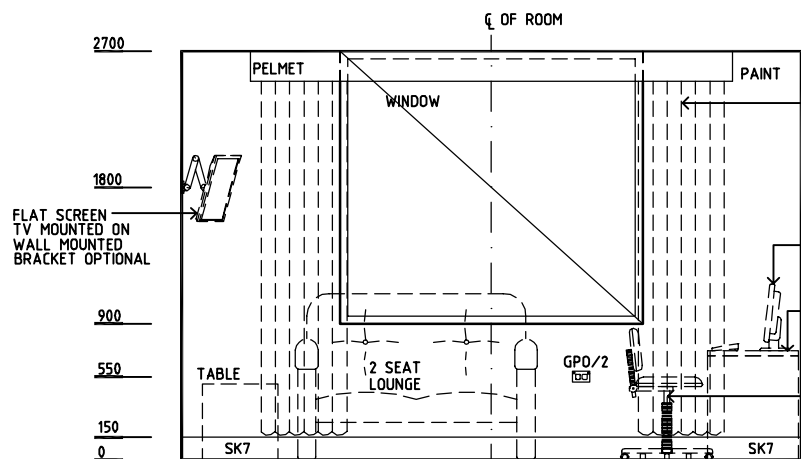
Room Name **Lounge - Medical Officers, 20m2**

RLS Room Code **LNMO-20-SJ**  
RDS Room Code **LNMO-20-SJ**

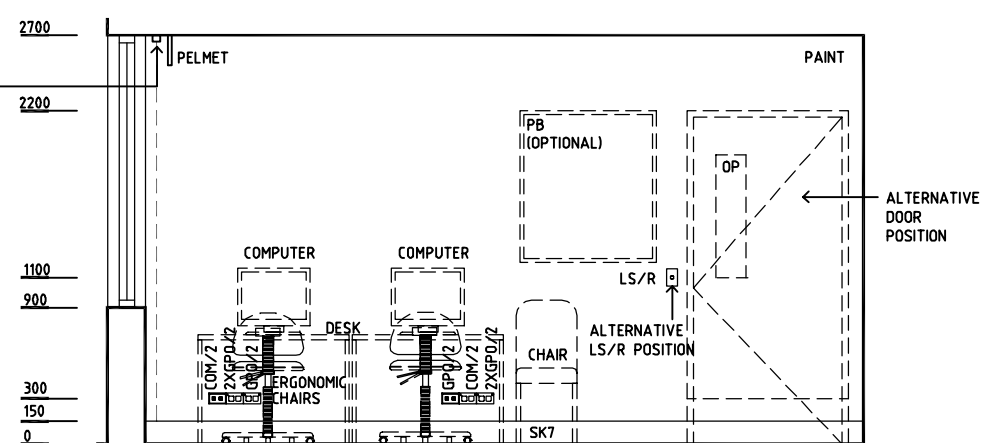
- AS ADJUSTABLE SHELF
- BWU BOILING WATER UNIT
- COM/2 COMMUNICATION OUTLET - DOUBLE
- DHT DISPENSER - HAND TOWEL
- DP DOOR AND DOOR FRAME PROTECTION
- DS DISPENSER - SOAP
- GPO/1 GENERAL POWER OUTLET - SINGLE
- GPO/2 GENERAL POWER OUTLET - DOUBLE
- GPO/S GENERAL POWER OUTLET - SPECIAL
- LS/R LIGHT SWITCH - ROOM
- MATV MASTER ANTENNA TV
- OP OBSERVATION PANEL
- PB PINBOARD
- SK7 TIMBER SKIRTING
- V1 VINYL FLOORING, STANDARD SLIP RESISTANT



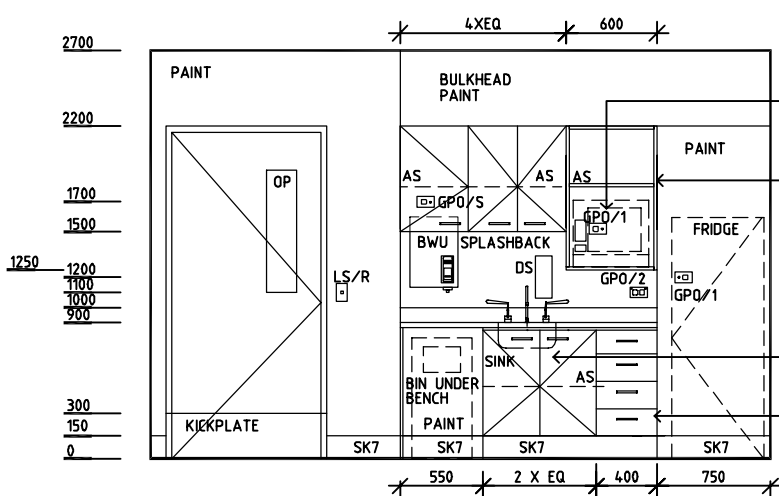
**PLAN**



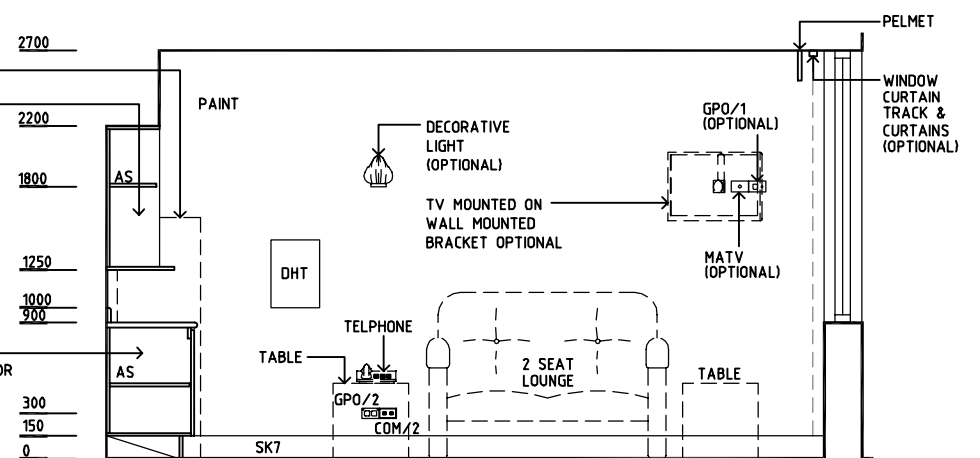
**ELEVATION 1**



**ELEVATION 2**



**ELEVATION 3**



**ELEVATION 4**

REV	DESCRIPTION	DATE	BY	REV	DESCRIPTION	DATE	BY	REV	DESCRIPTION	DATE	BY
1	FIRST ISSUE	14.03.2014	AA								



Sharjah Health Facility Guidelines at:  
www.healthdesign.com.au/shccfg  
Editable version of Standard Components on  
Health Facility Briefing System (HFBS) at:  
www.healthdesign.com.au  
Provided by TAHPI

DESIGNED	APPROVED	DATE	SCALE(S)	SHEET
CC	DB	30.12.13	1:50 in A3	1 of 1
CAD FILE NAME		PAPER DRAWING ID		ISSUE
LNMO-20-SJ		LNMO-20-SJ		1

This document is for advisory purpose only