

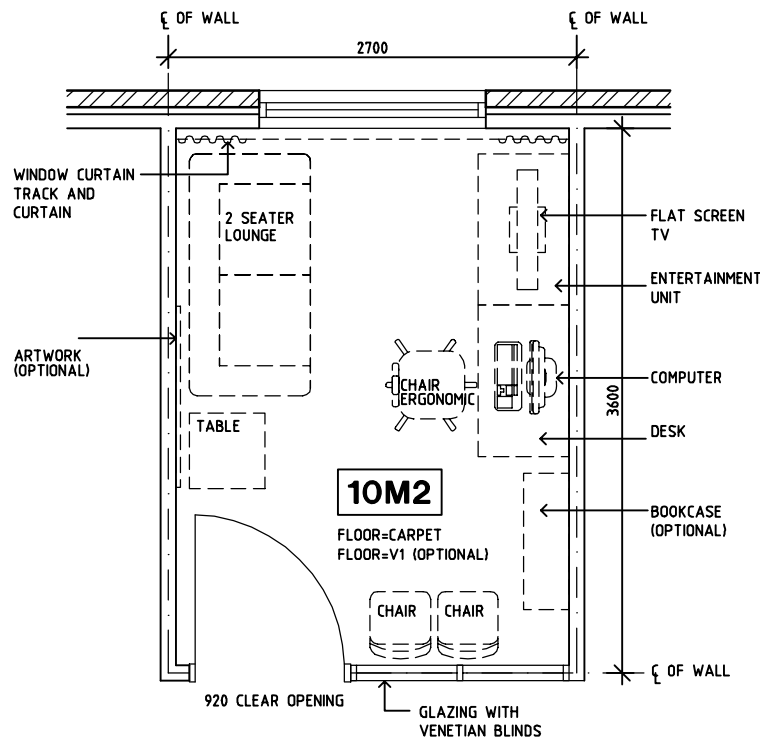
SHARJAH HEALTHCARE CITY STANDARD COMPONENTS

Room Layout Sheet

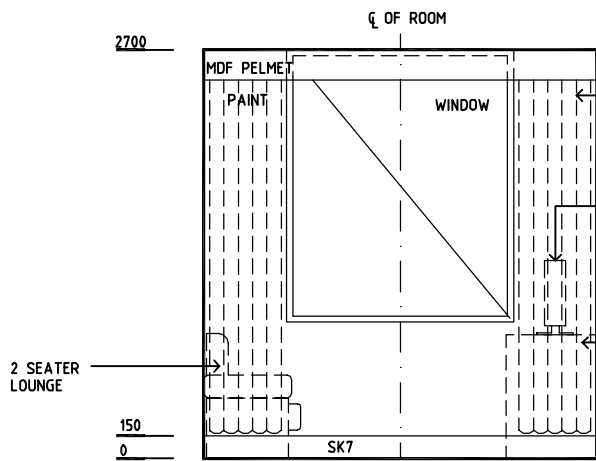
Room Name **Lounge - Adolescent, 10m2**

RLS Room Code **LNAD-10-SJ**
RDS Room Code **LNAD-10-SJ**

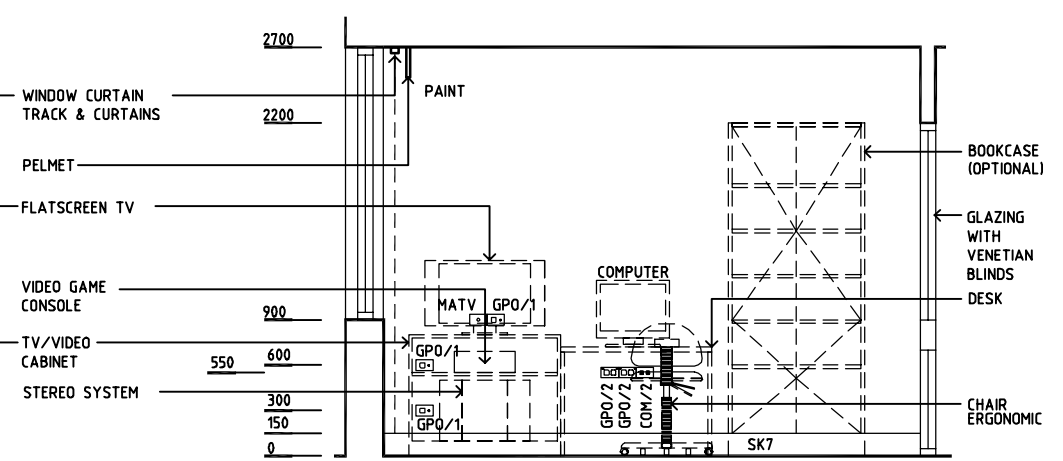
- COM/2 COMMUNICATION OUTLET - DOUBLE
- DP DOOR AND DOOR FRAME PROTECTION
- EC EMERGENCY CALL
- GPO/1 GENERAL POWER OUTLET - SINGLE
- GPO/2 GENERAL POWER OUTLET - DOUBLE
- LS/R LIGHT SWITCH - ROOM
- MATV MASTER ANTENNA TV
- NA NURSE ASSIST CALL
- NC PATIENT NURSE CALL
- OP OBSERVATION PANEL
- RCD RESIDUAL CURRENT DEVICE
- SG SAFETY GLASS
- SK7 TIMBER SKIRTING
- V1 VINYL FLOORING, STANDARD SLIP RESISTANT



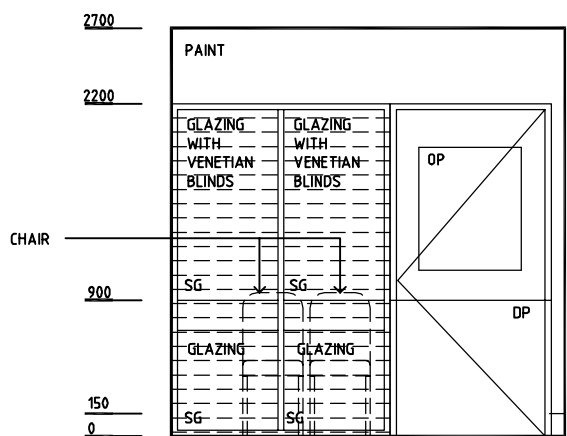
PLAN



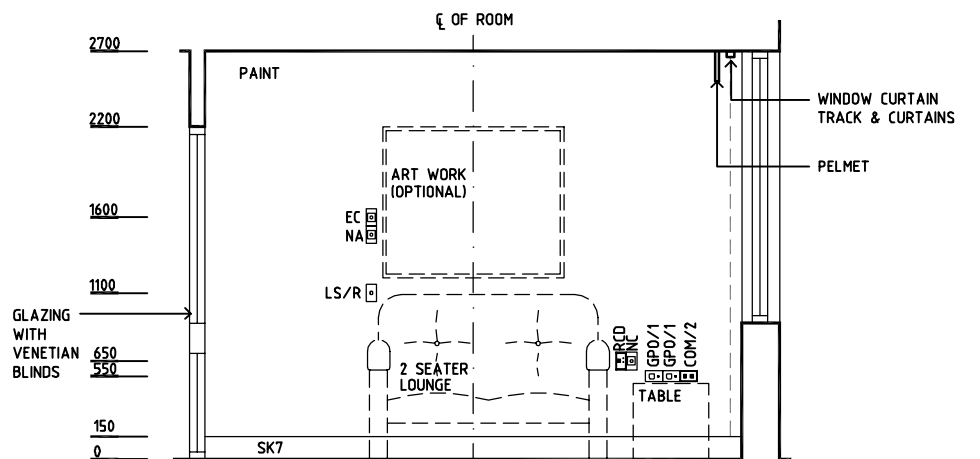
ELEVATION 1



ELEVATION 2



ELEVATION 3



ELEVATION 4

REV	DESCRIPTION	DATE	BY	REV	DESCRIPTION	DATE	BY	REV	DESCRIPTION	DATE	BY
1	FIRST ISSUE	14.03.2014	AA								

	DESIGNED	APPROVED	DATE	SCALE(S)	SHEET
	CC	DB	30.12.13	1:50 in A3	1 of 1
	CAD FILE NAME		PAPER DRAWING ID		ISSUE
LNAD-10-SJ		LNAD-10-SJ		1	

This document is for advisory purpose only