

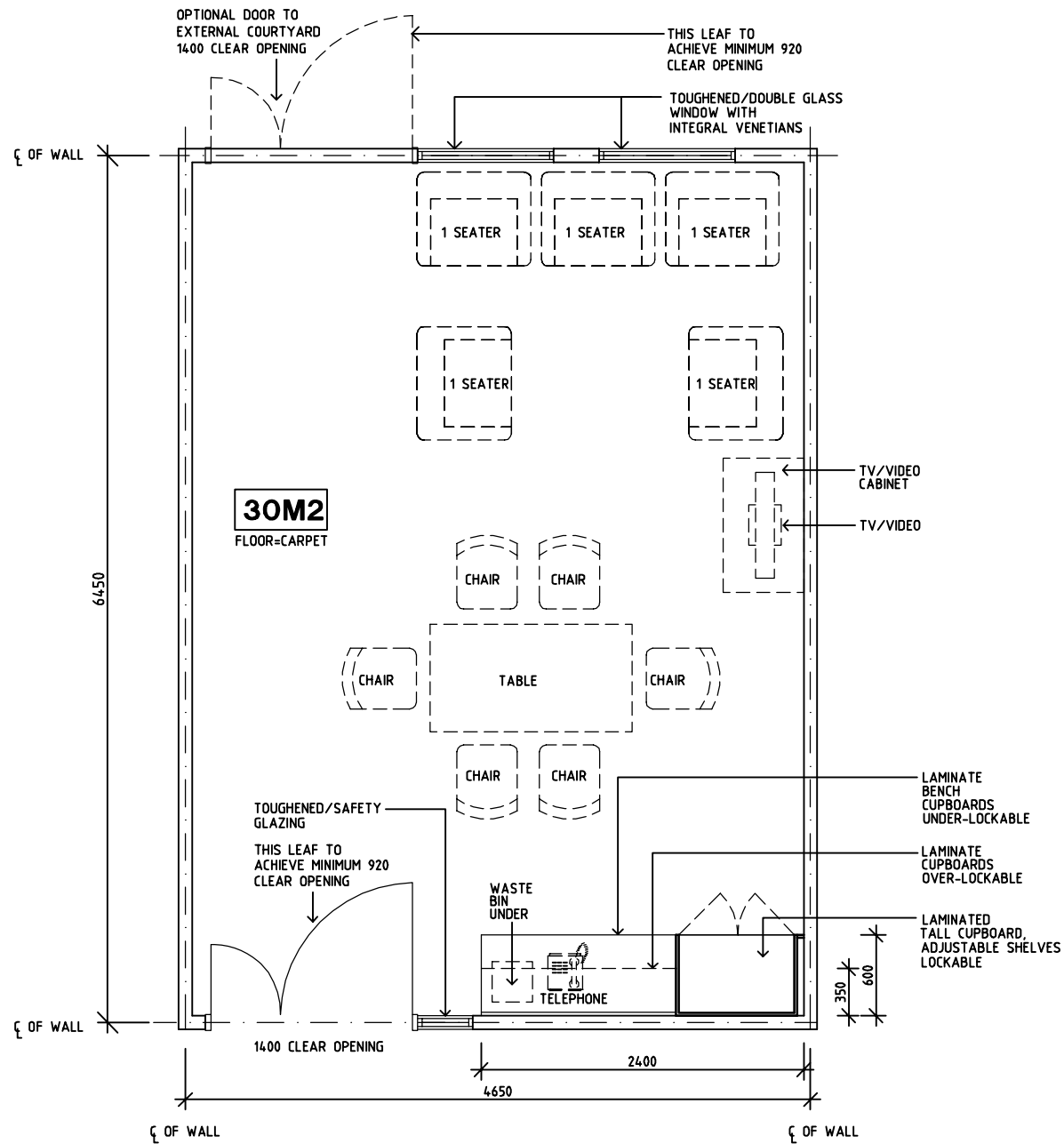
SHARJAH HEALTHCARE CITY STANDARD COMPONENTS

Room Layout Sheet

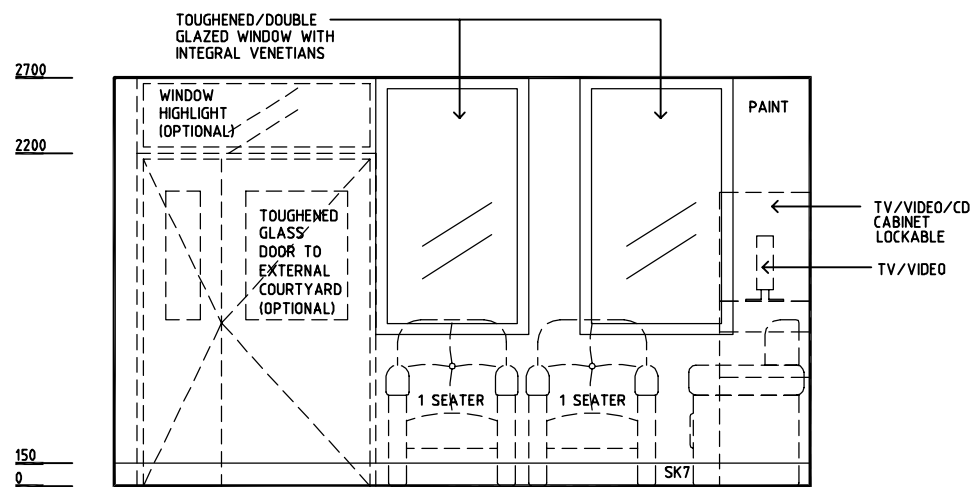
Room Name **Lounge - Activities (Mental Health), 30m2**

RLS Room Code **LNAC-30-SJ**
RDS Room Code **LNAC-30-SJ**

- AS ADJUSTABLE SHELF
- COM/2 COMMUNICATION OUTLET - DOUBLE
- DP DOOR AND DOOR FRAME PROTECTION
- EC EMERGENCY CALL
- GPO/2 GENERAL POWER OUTLET-DOUBLE
- LS/R LIGHT SWITCH - ROOM
- MATV MASTER ANTENNA TV
- NA NURSE ASSIST CALL
- OP OBSERVATION PANEL
- RCD RESIDUAL CURRENT DEVICE
- SK7 TIMBER SKIRTING



PLAN



ELEVATION 1

REV	DESCRIPTION	DATE	BY	REV	DESCRIPTION	DATE	BY	REV	DESCRIPTION	DATE	BY
1	FIRST ISSUE	14.03.2014	AA								



Sharjah Health Facility Guidelines at:
www.healthdesign.com.au/shcc/hfg
Editable version of Standard Components on
Health Facility Briefing System (HFBS) at:
www.healthdesign.com.au
Provided by TAHPI

DESIGNED	APPROVED	DATE	SCALE(S)	SHEET
CC	DB	30.12.13	1:50 in A3	1 of 2
CAD FILE NAME		PAPER DRAWING ID		ISSUE
LNAC-30-SJ		LNAC-30-SJa		1

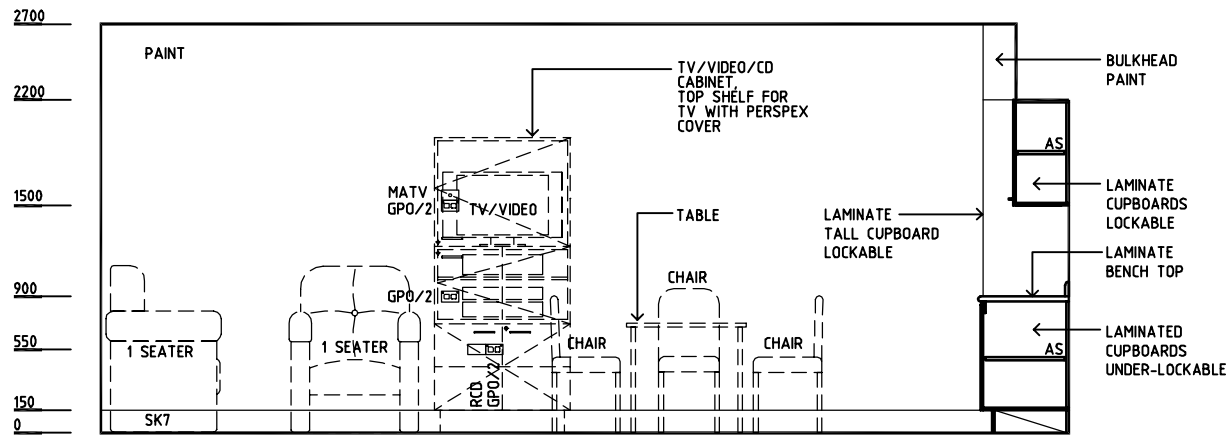
SHARJAH HEALTHCARE CITY STANDARD COMPONENTS

Room Layout Sheet

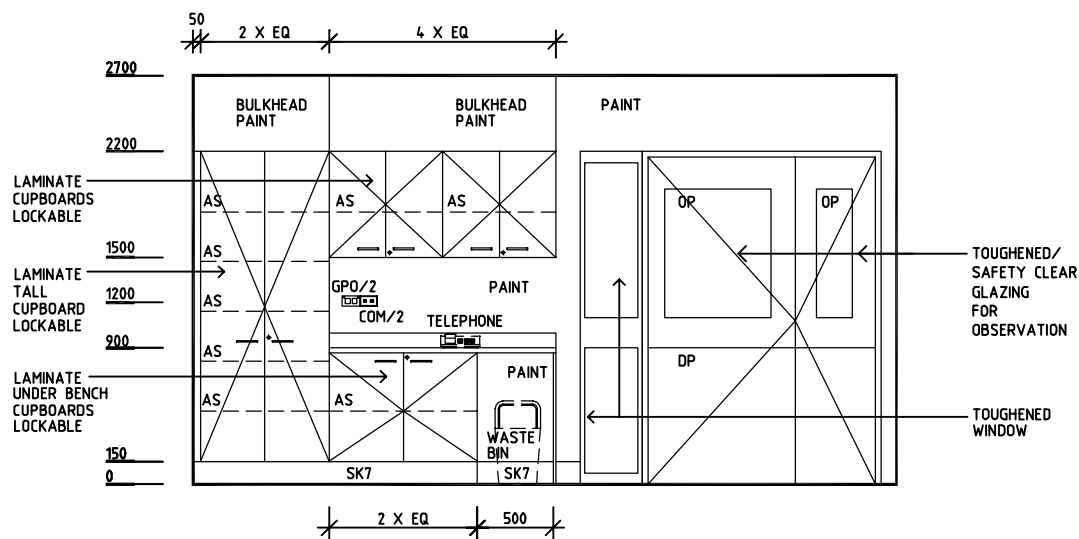
Room Name **Lounge - Activities (Mental Health), 30m2**

RLS Room Code **LNAC-30-SJ**
RDS Room Code **LNAC-30-SJ**

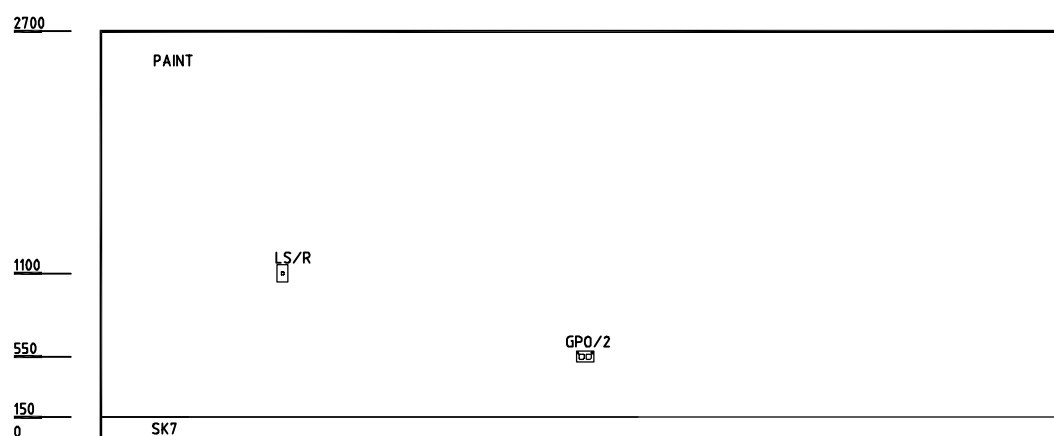
- AS ADJUSTABLE SHELF
- COM/2 COMMUNICATION OUTLET - DOUBLE
- DP DOOR AND DOOR FRAME PROTECTION
- EC EMERGENCY CALL
- GPO/2 GENERAL POWER OUTLET-DOUBLE
- LS/R LIGHT SWITCH - ROOM
- MATV MASTER ANTENNA TV
- NA NURSE ASSIST CALL
- OP OBSERVATION PANEL
- RCD RESIDUAL CURRENT DEVICE
- SK7 TIMBER SKIRTING



ELEVATION 2




ELEVATION 3



ELEVATION 4

REV	DESCRIPTION	DATE	BY	REV	DESCRIPTION	DATE	BY	REV	DESCRIPTION	DATE	BY
1	FIRST ISSUE	14.03.2014	AA								

 SHCC Guidelines	Sharjah Health Facility Guidelines at: www.healthdesign.com.au/shcc/hfg Editable version of Standard Components on Health Facility Briefing System (HFBS) at: www.healthdesign.com.au Provided by TAHPI		DESIGNED	APPROVED	DATE	SCALE(S)	SHEET
	CC	DB	30.12.13	1:50 in A3	2 of 2		
	CAD FILE NAME		PAPER DRAWING ID		ISSUE		
LNAC-30-SJ		LNAC-30-SJb		1			

This document is for advisory purpose only