

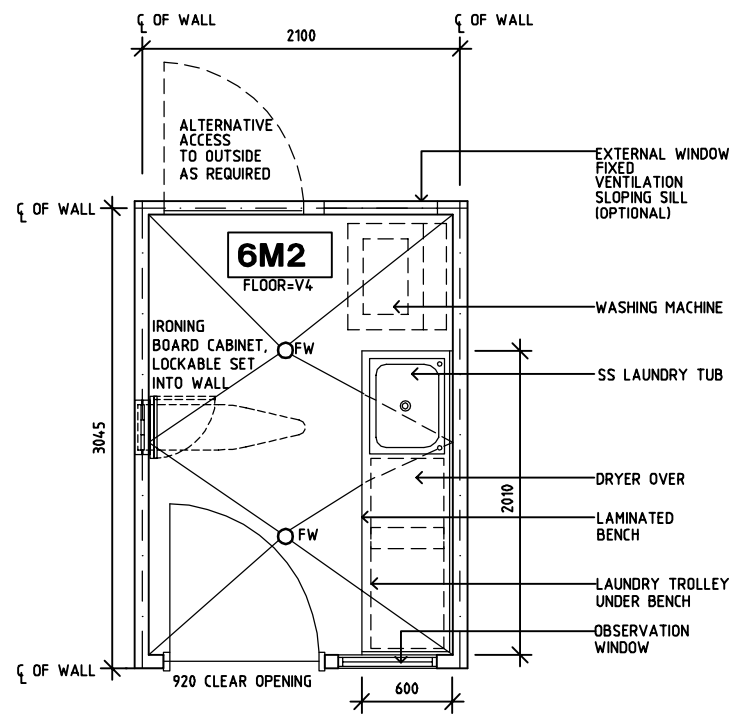
SHARJAH HEALTHCARE CITY STANDARD COMPONENTS

Room Layout Sheet

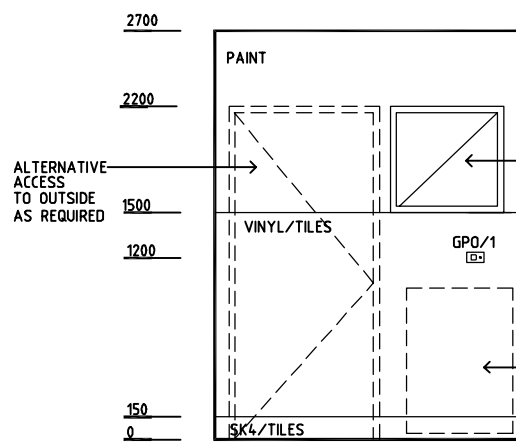
Room Name **Laundry - Mental Health**

RLS Room Code **LAUN-MH-SJ**
RDS Room Code **LAUN-MH-SJ**

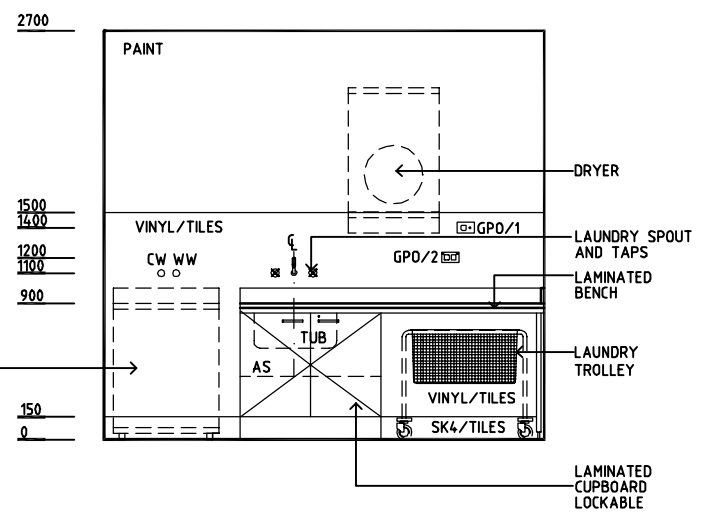
- AS ADJUSTABLE SHELF
- CW COLD WATER
- DP DOOR AND DOOR FRAME PROTECTION
- FW FLOOR WASTE
- GP0/1 GENERAL POWER OUTLET - SINGLE
- GP0/2 GENERAL POWER OUTLET - DOUBLE
- LS/R LIGHT SWITCH - ROOM
- OP OBSERVATION PANEL
- SG SAFETY GLASS
- SK4 FLOOR VINYL COVERED SKIRTING
- SS STAINLESS STEEL
- WW WARM WATER
- V4 VINYL FLOORING - NON SLIP SAFETY



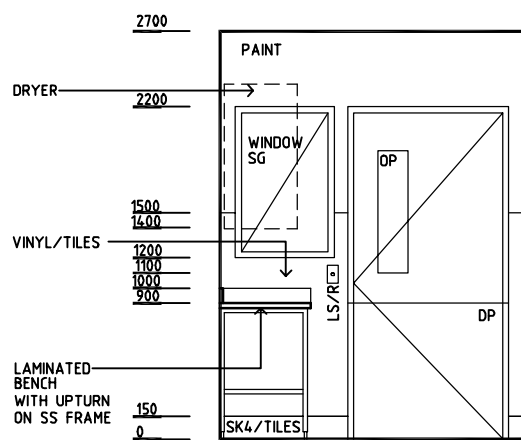
PLAN



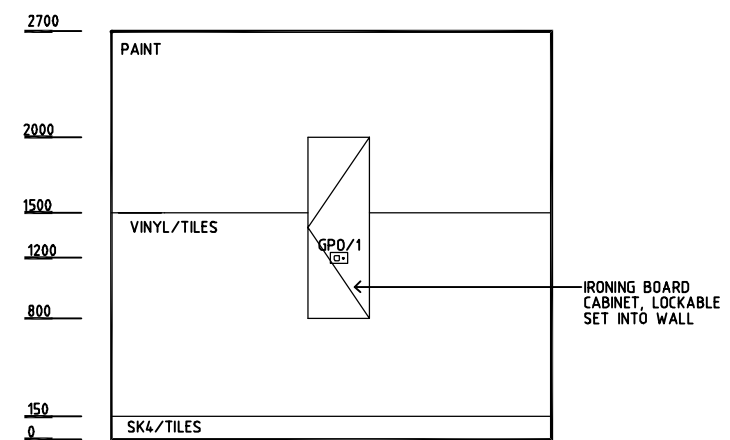
ELEVATION 1



ELEVATION 2



ELEVATION 3



ELEVATION 4

REV	DESCRIPTION	DATE	BY	REV	DESCRIPTION	DATE	BY	REV	DESCRIPTION	DATE	BY
1	FIRST ISSUE	14.03.2014	AA								



Sharjah Health Facility Guidelines at:
www.healthdesign.com.au/shcc/hfg
Editable version of Standard Components on
Health Facility Briefing System (HFBS) at:
www.healthdesign.com.au
Provided by TAHPI

DESIGNED	APPROVED	DATE	SCALE(S)	SHEET
CC	DB	30.12.13	1:50 in A3	1 of 1
CAD FILE NAME		PAPER DRAWING ID		ISSUE
LAUN-MH-SJ		LAUN-MH-SJ		1

This document is for advisory purpose only