

# NSW HFG STANDARD COMPONENTS

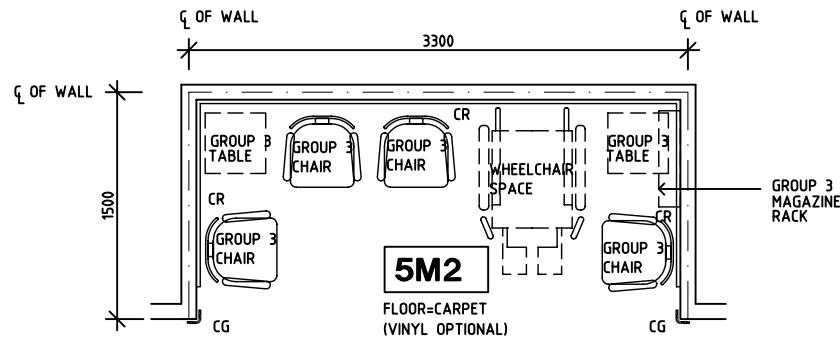
Room Layout Sheet

Room Name **Waiting - Sub**

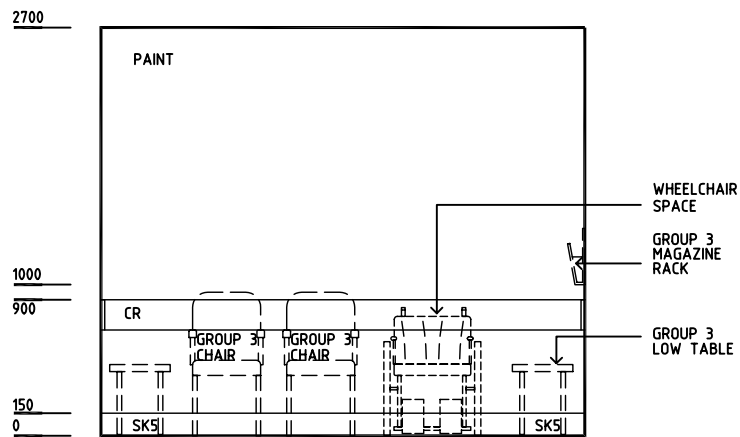
RLS Room Code **WAIT-SUB**

RDS Room Code **WAIT-SUB**

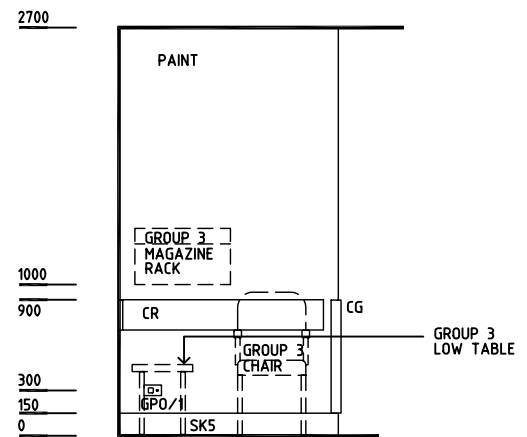
- CG CORNER GUARD
- CR CRASH RAIL
- GPO/1 GENERAL PURPOSE OUTLET-SINGLE
- SK5 FEATHER EDGE VINYL SKIRTING



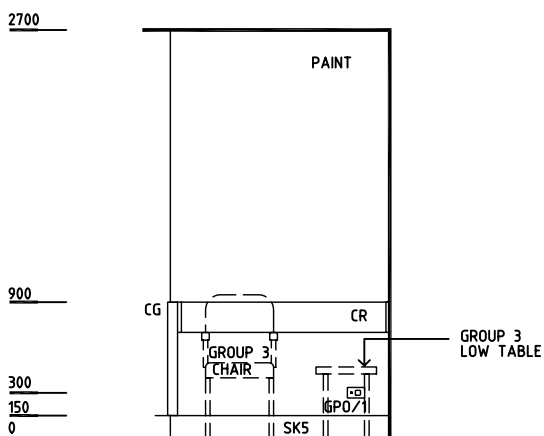
**PLAN**



**ELEVATION 1**



**ELEVATION 2**



**ELEVATION 3**

REV	DESCRIPTION	DATE	BY	REV	DESCRIPTION	DATE	BY	REV	DESCRIPTION	DATE	BY
1	FIRST ISSUE	21.7.05	BJ								