

# NSW HFG STANDARD COMPONENTS

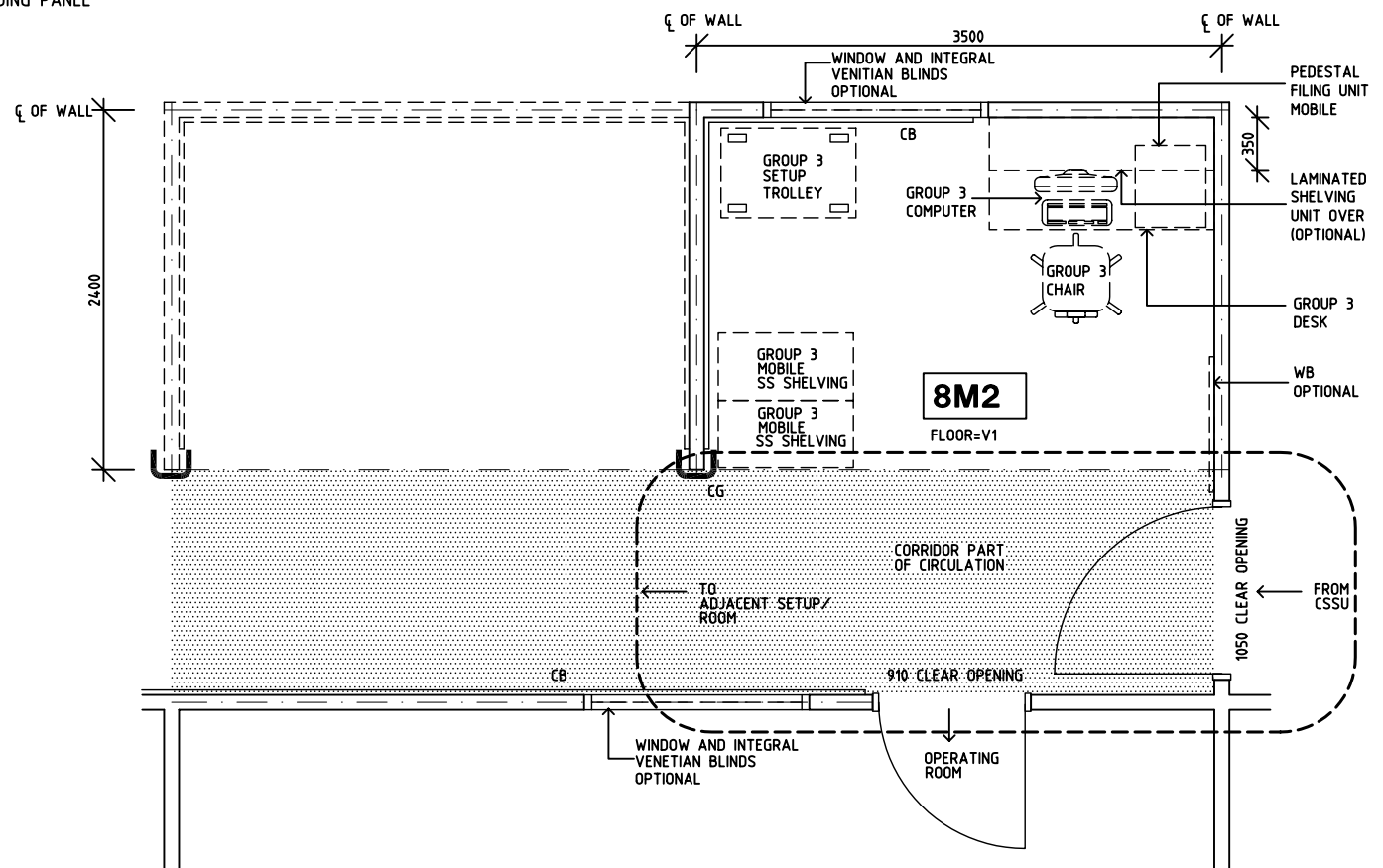
Room Layout Sheet

Room Name **Set-Up Room, 8m<sup>2</sup>**

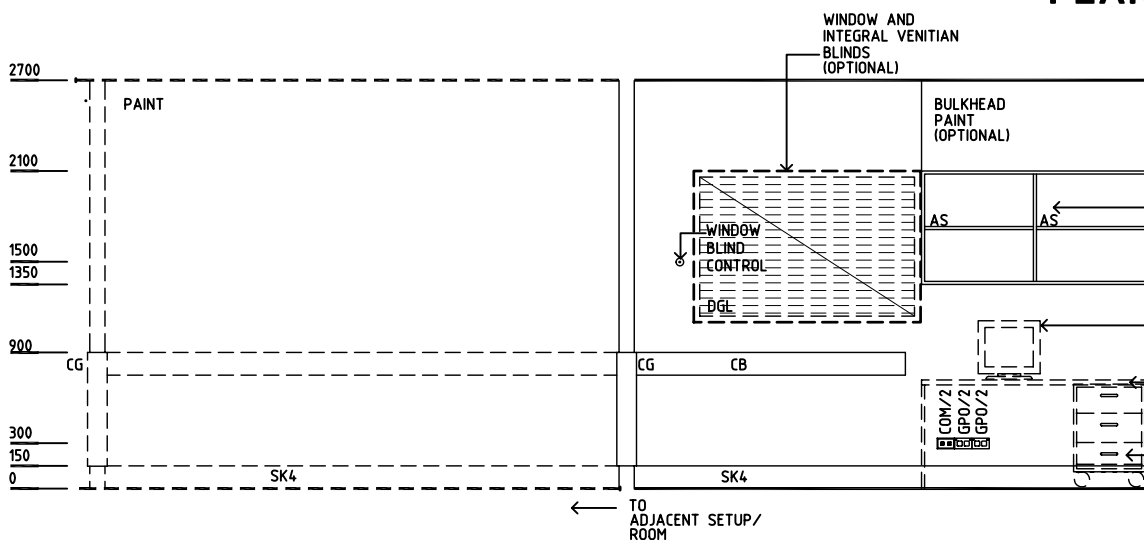
RLS Room Code **SETUP-8**

RDS Room Code **SETUP-8**

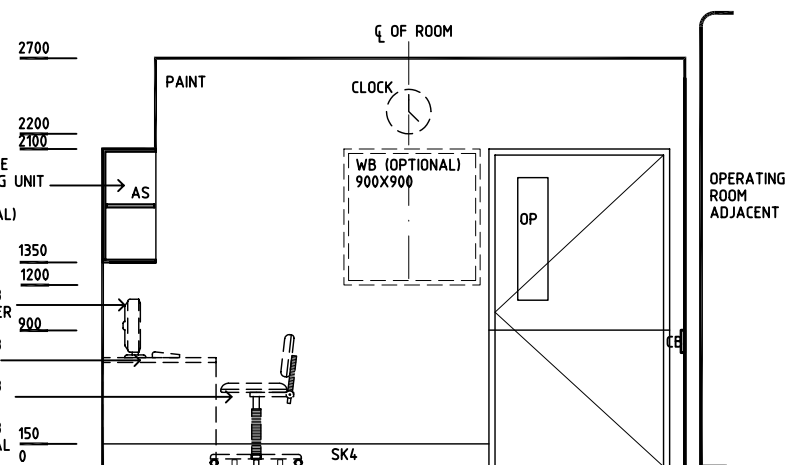
- CB CRASH BAR
- CG CORNER GUARD
- COM/2 COMMUNICATION OUTLET - DOUBLE
- DGL DOUBLE GLAZED WITH VENETIAN BLINDS
- DP DOOR AND FRAME PROTECTION
- GPO/2 GENERAL PURPOSE OUTLET - DOUBLE
- OPS OBSERVATION PANEL WITH SLIDING PANEL
- SK4 FLOOR VINYL COVERED SKIRTING
- SR SCRUB RESISTANT
- V1 VINYL FLOORING, STANDARD
- WB WHITEBOARD



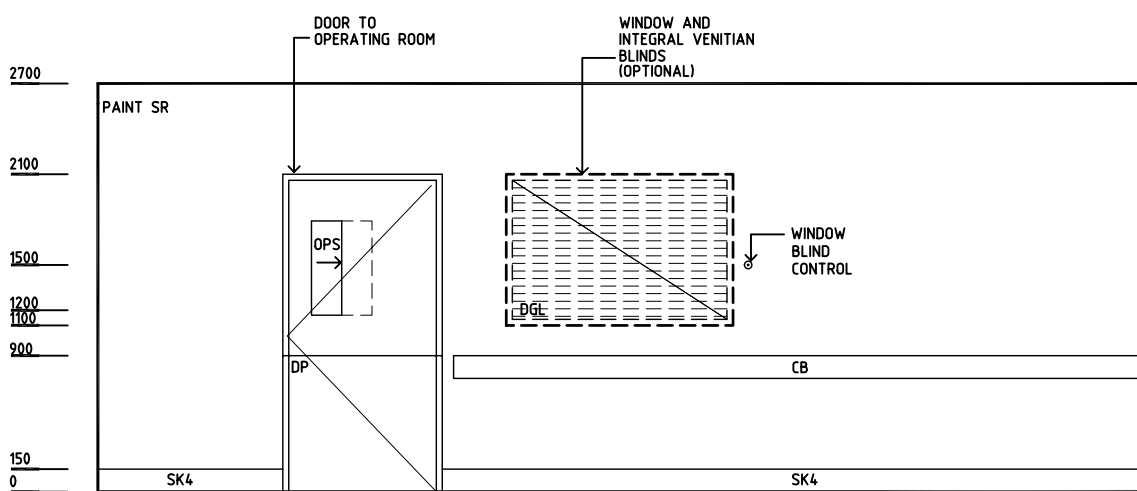
**PLAN**



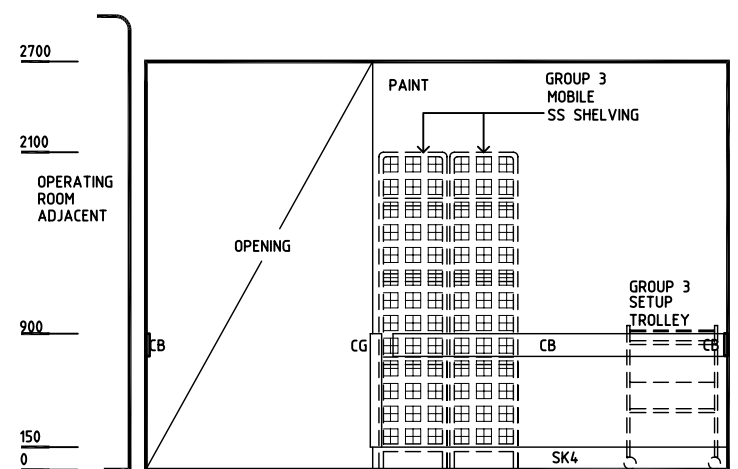
**ELEVATION 1**



**ELEVATION 2**



**ELEVATION 3**



**ELEVATION 4**

REV	DESCRIPTION	DATE	BY	REV	DESCRIPTION	DATE	BY	REV	DESCRIPTION	DATE	BY
1	FIRST ISSUE	1.7.05	HS								