

# NSW HFG STANDARD COMPONENTS

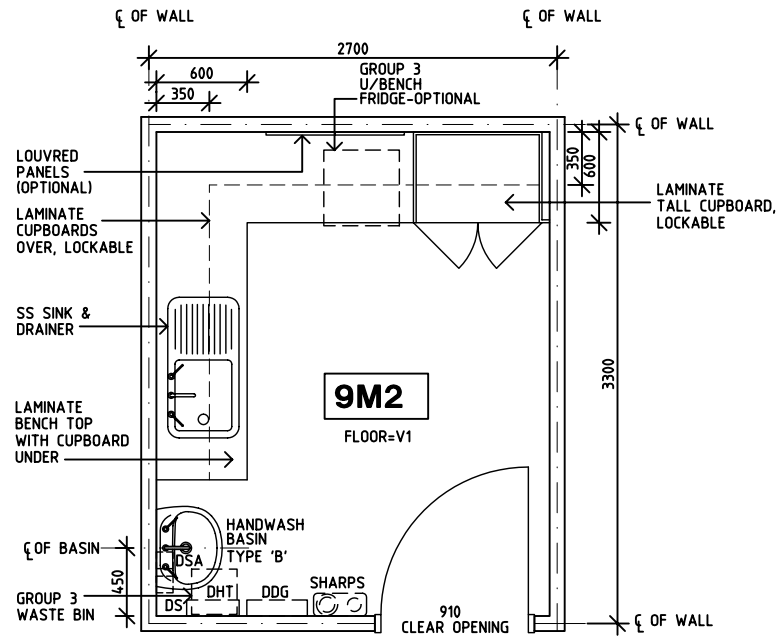
Room Layout Sheet

Room Name **Preparation/Set-up Room (Imaging)**

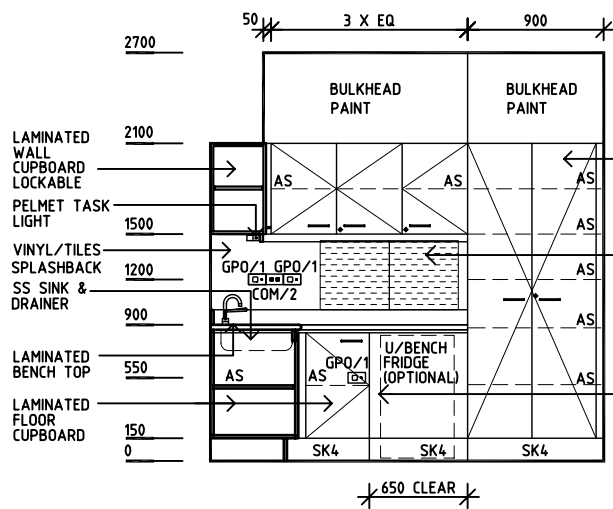
RLS Room Code **PREP-S**

RDS Room Code **PREP-S**

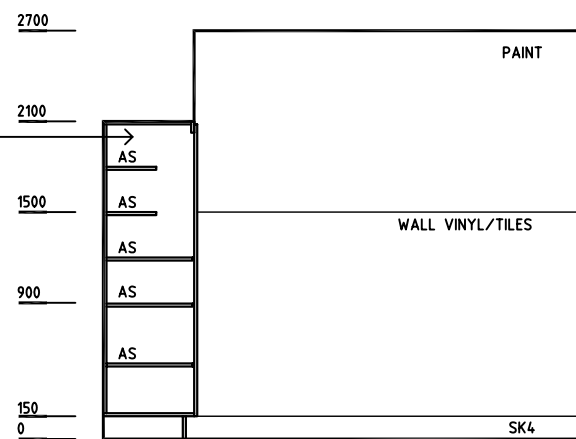
- AS ADJUSTABLE SHELF
- COM/2 COMMUNICATION OUTLET-DOUBLE
- DDG DISPENSER - DISPOSABLE GLOVES
- DHT DISPENSER - HAND TOWEL
- DP DOOR AND FRAME PROTECTION
- DS DISPENSER - SOAP
- DSA DISPENSER - SOAP ANTISEPTIC
- GPO/1 GENERAL PURPOSE OUTLET-SINGLE
- LS/R LIGHT SWITCH- ROOM
- LS/P LIGHT SWITCH- PELMET LIGHT
- OP OBSERVATION PANEL
- SS STAINLESS STEEL
- SK4 FLOOR VINYL COVERED SKIRTING
- V1 VINYL FLOORING, STANDARD



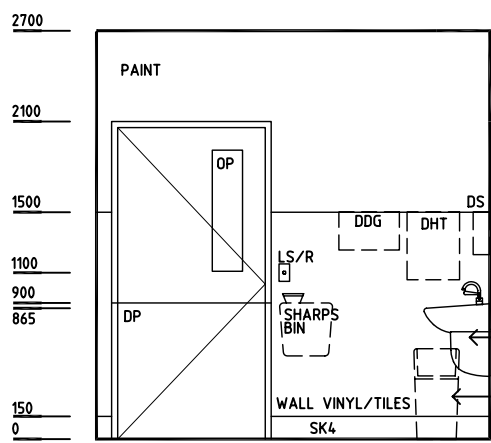
**PLAN**



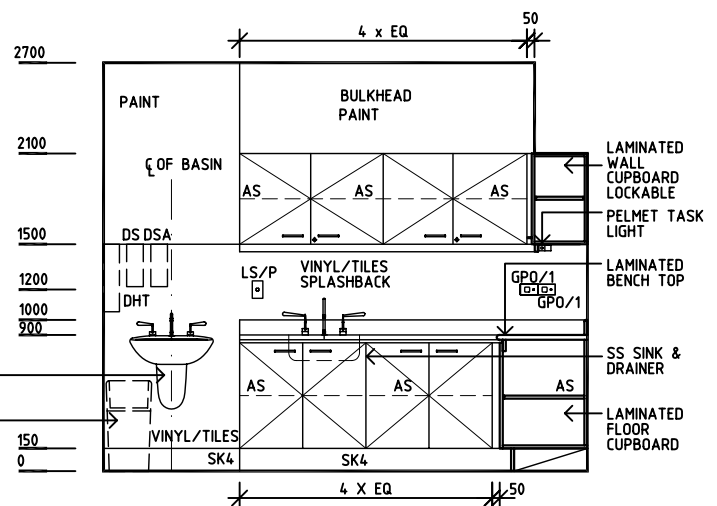
**ELEVATION 1**



**ELEVATION 2**



**ELEVATION 3**



**ELEVATION 4**

REV	DESCRIPTION	DATE	BY	REV	DESCRIPTION	DATE	BY	REV	DESCRIPTION	DATE	BY
1	FIRST ISSUE	11.7.05	BJ								