

NSW HFG STANDARD COMPONENTS

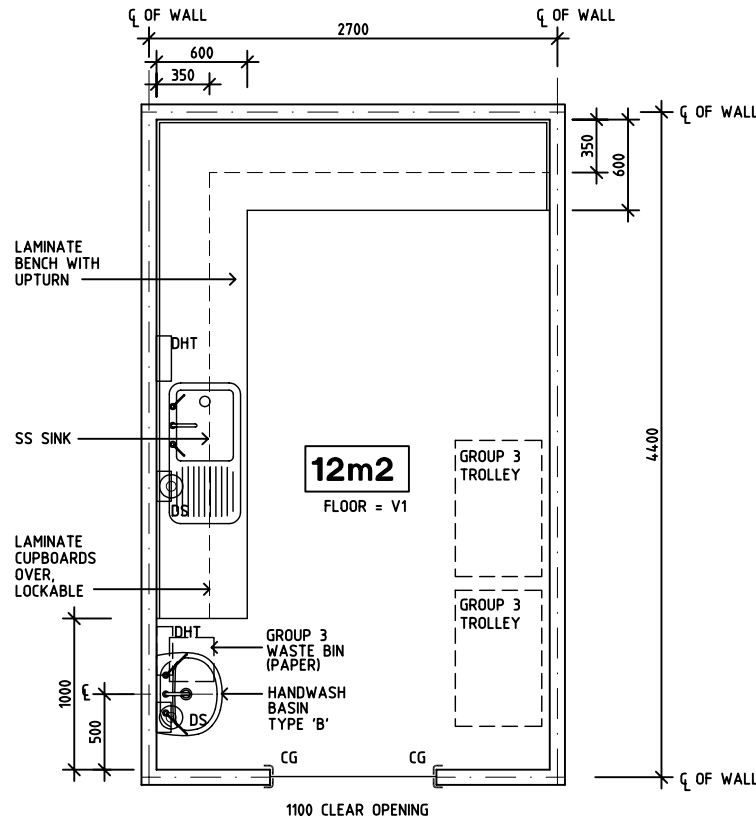
Room Layout Sheet

Room Name **Preparation Room - Non Sterile (Pharmacy)**

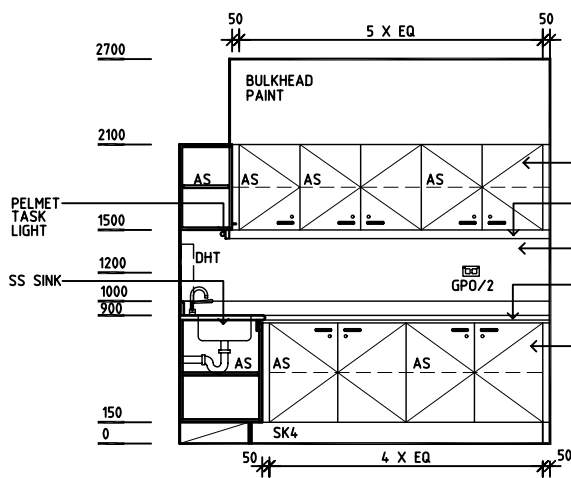
RLS Room Code **PREP**

RDS Room Code **PREP**

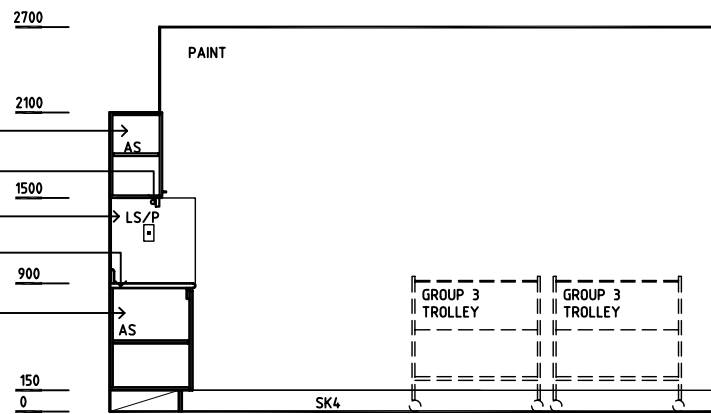
- AS ADJUSTABLE SHELF
- CG CORNER GUARD
- COM/2 COMMUNICATIONS/DATA OUTLET, DOUBLE
- DHT DISPENSER, HAND TOWEL
- DS DISPENSER, SOAP
- GPO/2 GENERAL PURPOSE OUTLET, DOUBLE
- LS/P LIGHT SWITCH - PELMET TASK LIGHT
- LS/R LIGHT SWITCH - ROOM
- SK4 FLOOR VINYL COVERED SKIRTING
- SS STAINLESS STEEL
- V1 VINYL FLOORING, STANDARD



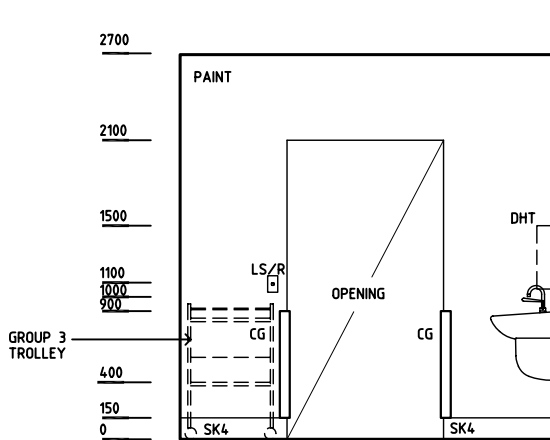
PLAN



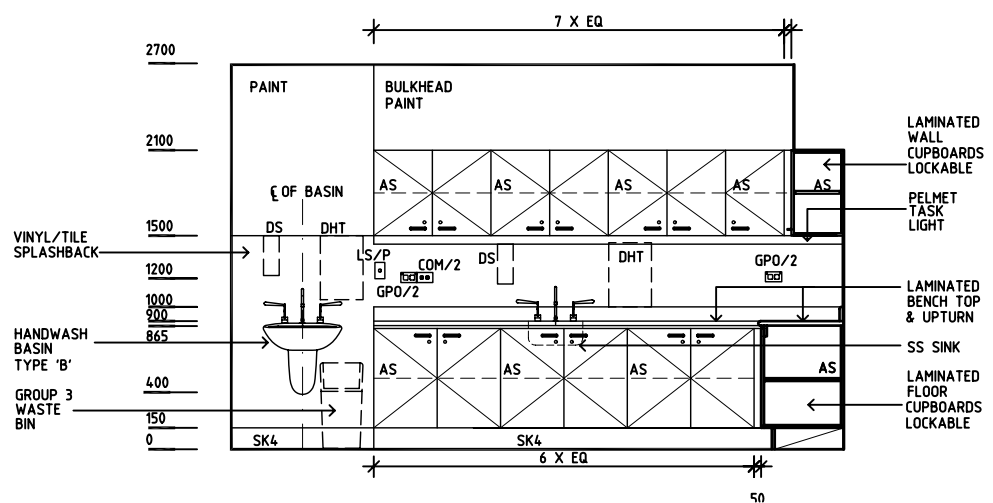
ELEVATION 1



ELEVATION 2



ELEVATION 3



ELEVATION 4

REV	DESCRIPTION	DATE	BY	REV	DESCRIPTION	DATE	BY	REV	DESCRIPTION	DATE	BY
1	FIRST ISSUE	1.7.05	HS								