

NSW HFG STANDARD COMPONENTS

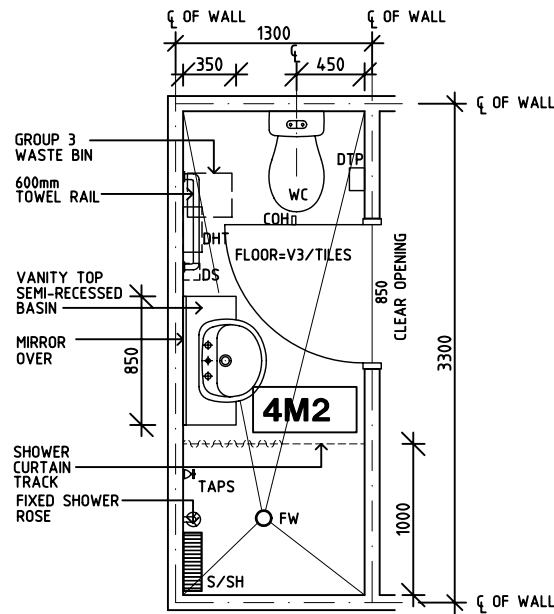
Room Layout Sheet

Room Name **Overnight Stay - Ensuite**

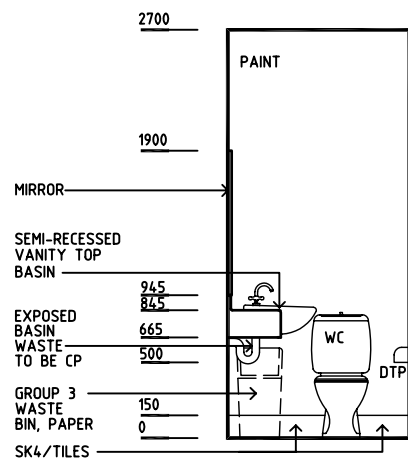
RLS Room Code **OVES**

RDS Room Code **OVES**

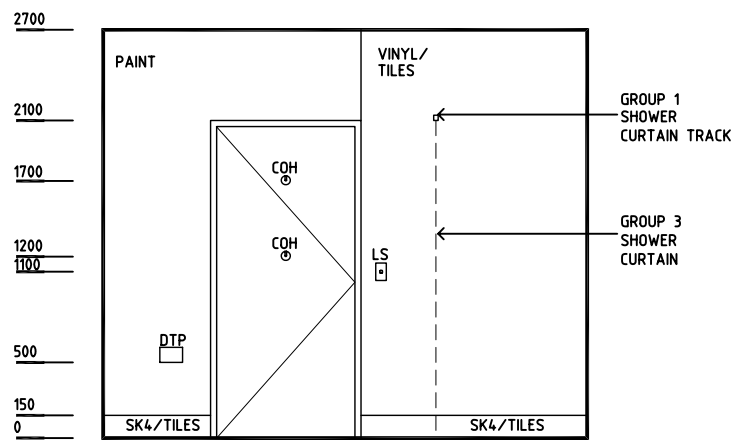
- COH COAT HOOK
- CP CHROME PLATED
- DHT DISPENSER - HAND TOWEL
- DS DISPENSER - SOAP
- DTP DISPENSER - TOILET PAPER
- FW FLOOR WASTE
- GPO/2 GENERAL POWER OUTLET - DOUBLE
- LS LIGHT SWITCH
- S/SH SOAP AND SHAMPOO HOLDER
- SK4 FLOOR VINYL COVERED SKIRTING
- V3 FLOOR VINYL - STUDDED



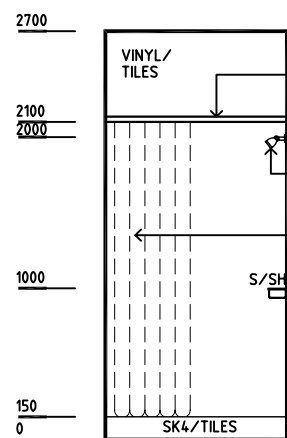
PLAN



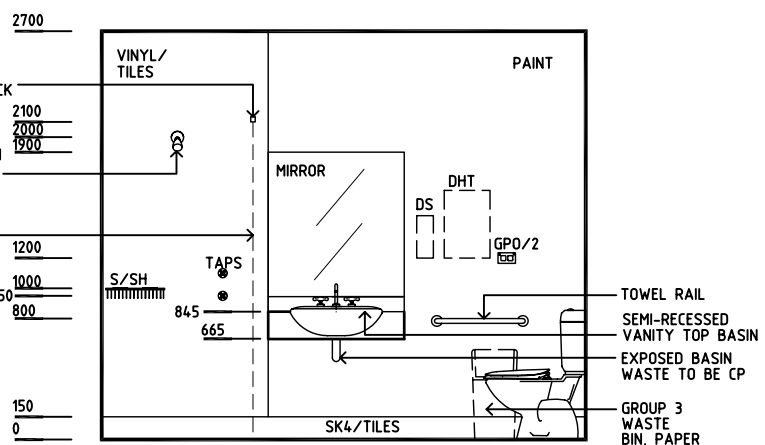
ELEVATION 1



ELEVATION 2



ELEVATION 3



ELEVATION 4

REV	DESCRIPTION	DATE	BY	REV	DESCRIPTION	DATE	BY	REV	DESCRIPTION	DATE	BY
1	FIRST ISSUE	1.7.05	HS								

DESIGNED BJ/EH	APPROVED DB	SCALE(S) 1:50 in A3	ZONE(S)
CAD FILE NAME OVES		PAPER DRAWING ID OVES	