

NSW HFG STANDARD COMPONENTS

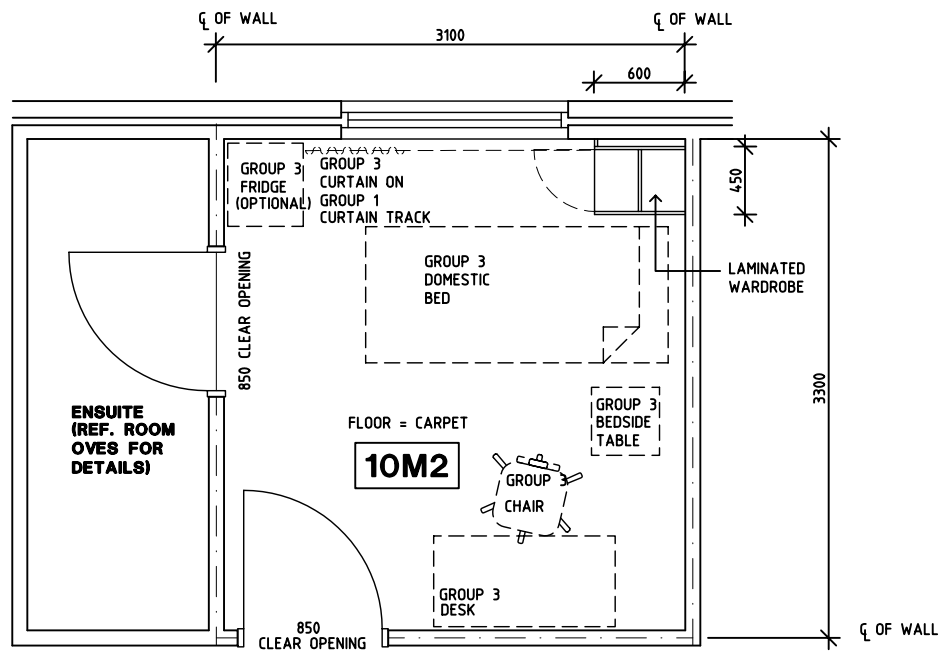
Room Layout Sheet

Room Name **Overnight Stay - Bedroom**

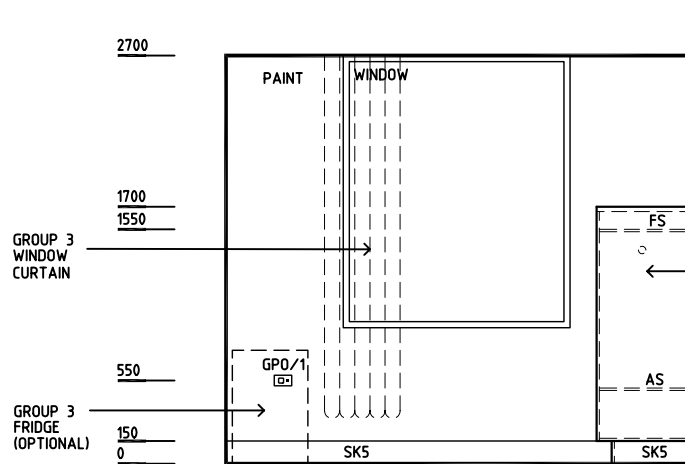
RLS Room Code **OVBR**

RDS Room Code **OVBR**

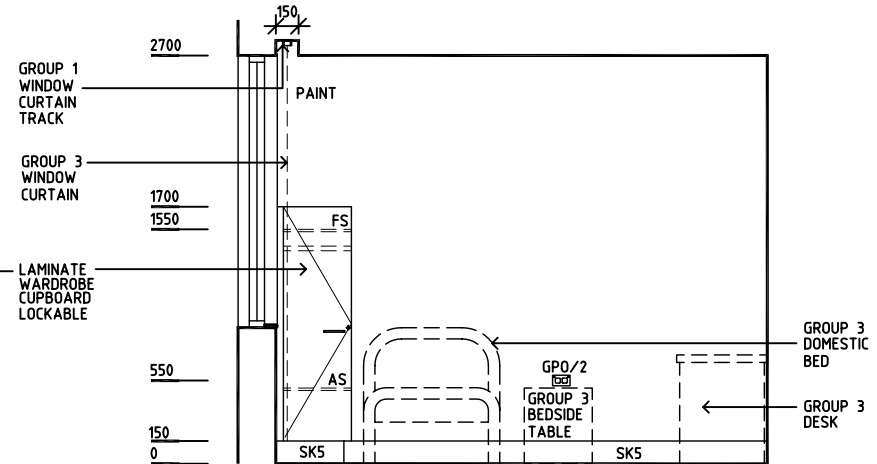
- AS ADJUSTABLE SHELF
- COM/2 COMMUNICATION OUTLET - DOUBLE
- FS FIXED SHELF
- GPO/1 GENERAL PURPOSE OUTLET-SINGLE
- GPO/2 GENERAL PURPOSE OUTLET-DOUBLE
- LS/ENS LIGHT SWITCH - ENSUITE
- LS/R LIGHT SWITCH - ROOM
- SK5 VINYL FEATHER EDGE SKIRTING



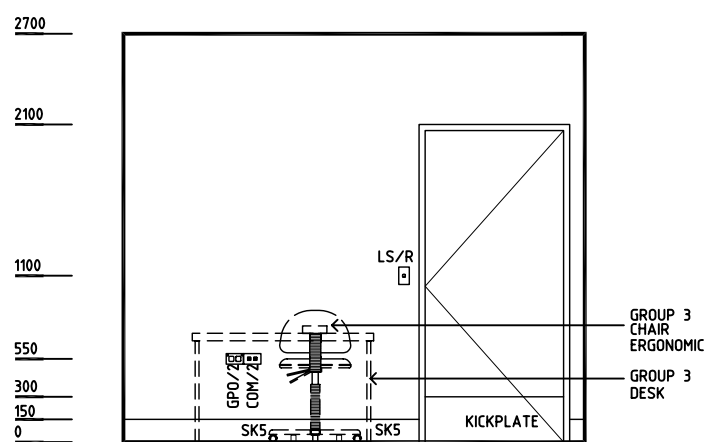
PLAN



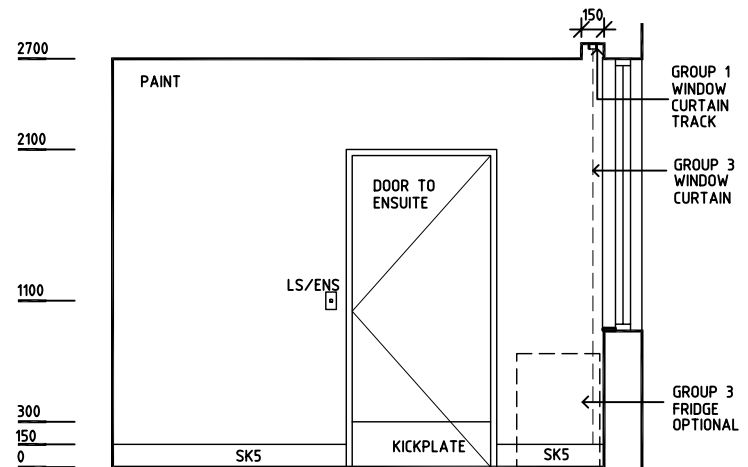
ELEVATION 1



ELEVATION 2



ELEVATION 3



ELEVATION 4

REV	DESCRIPTION	DATE	BY	REV	DESCRIPTION	DATE	BY	REV	DESCRIPTION	DATE	BY
1	FIRST ISSUE	13.7.05	EH								