

NSW HFG STANDARD COMPONENTS

Room Layout Sheet

Room Name **Office - Write up Bay, 3m2**

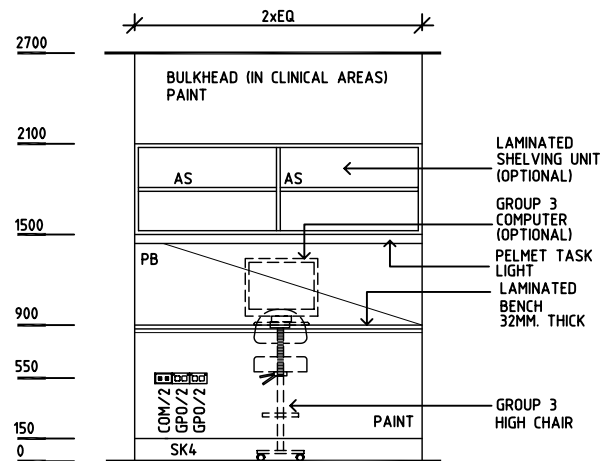
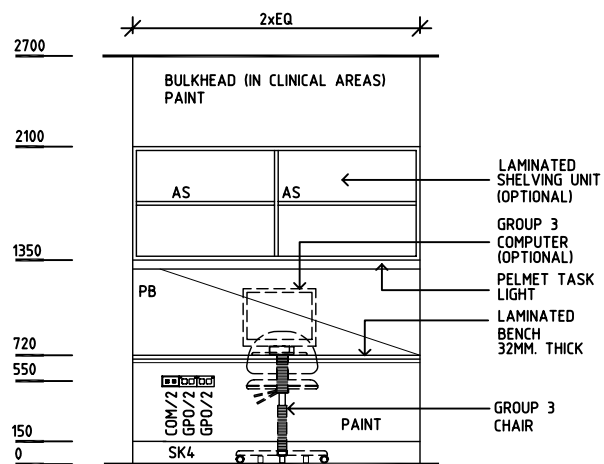
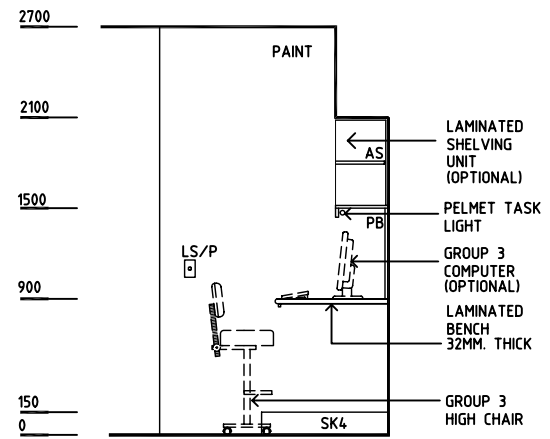
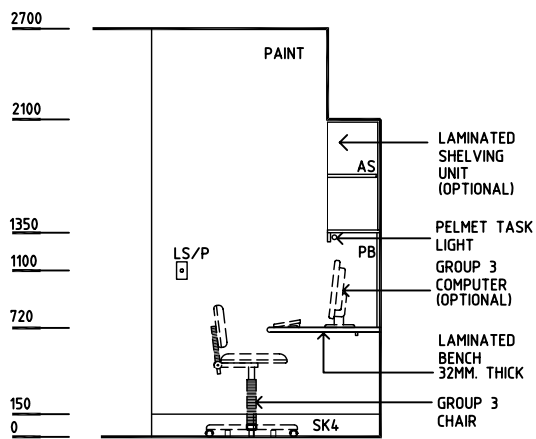
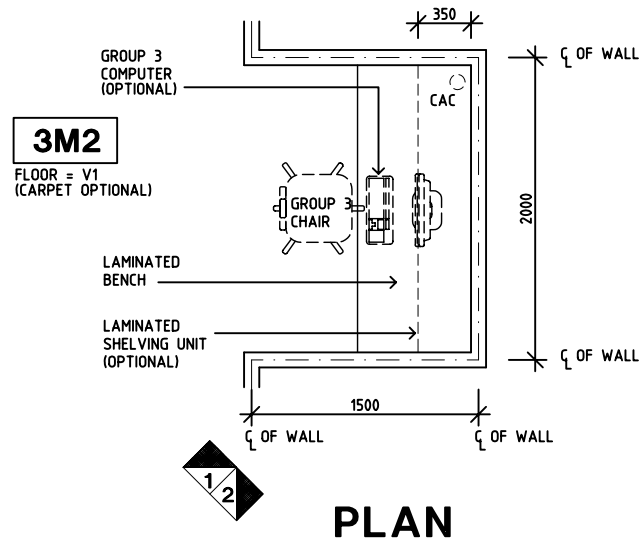
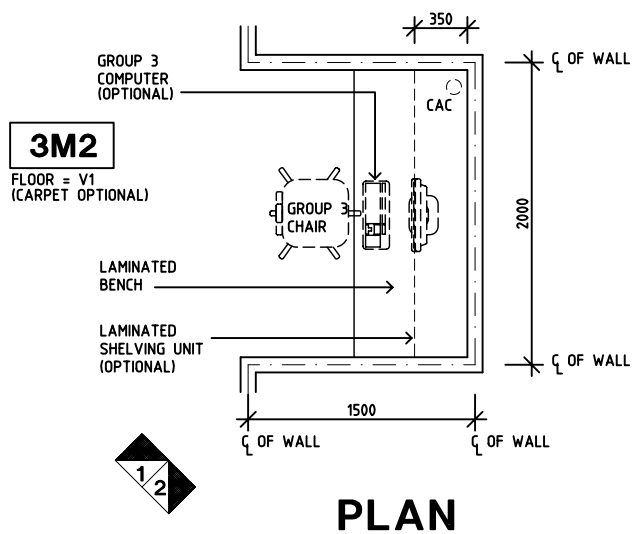
RLS Room Code **OFF-WI-3**

RDS Room Code **OFF-WI-3**

- AS ADJUSTABLE SHELF
- CAC CABLE ACCESS CAP
- COM/2 COMMUNICATION OUTLET - DOUBLE
- GPO/2 GENERAL PURPOSE OUTLET - DOUBLE
- LS/P LIGHT SWITCH - PELMET TASK LIGHT
- PB PINBOARD
- SK4 FLOOR VINYL COVERED SKIRTING
- V1 VINYL FLOORING, STANDARD

OPTION 1 - LOW BENCH

OPTION 2 - HIGH BENCH



REV	DESCRIPTION	DATE	BY	REV	DESCRIPTION	DATE	BY	REV	DESCRIPTION	DATE	BY
1	FIRST ISSUE	30.5.05	AL								