

NSW HFG STANDARD COMPONENTS

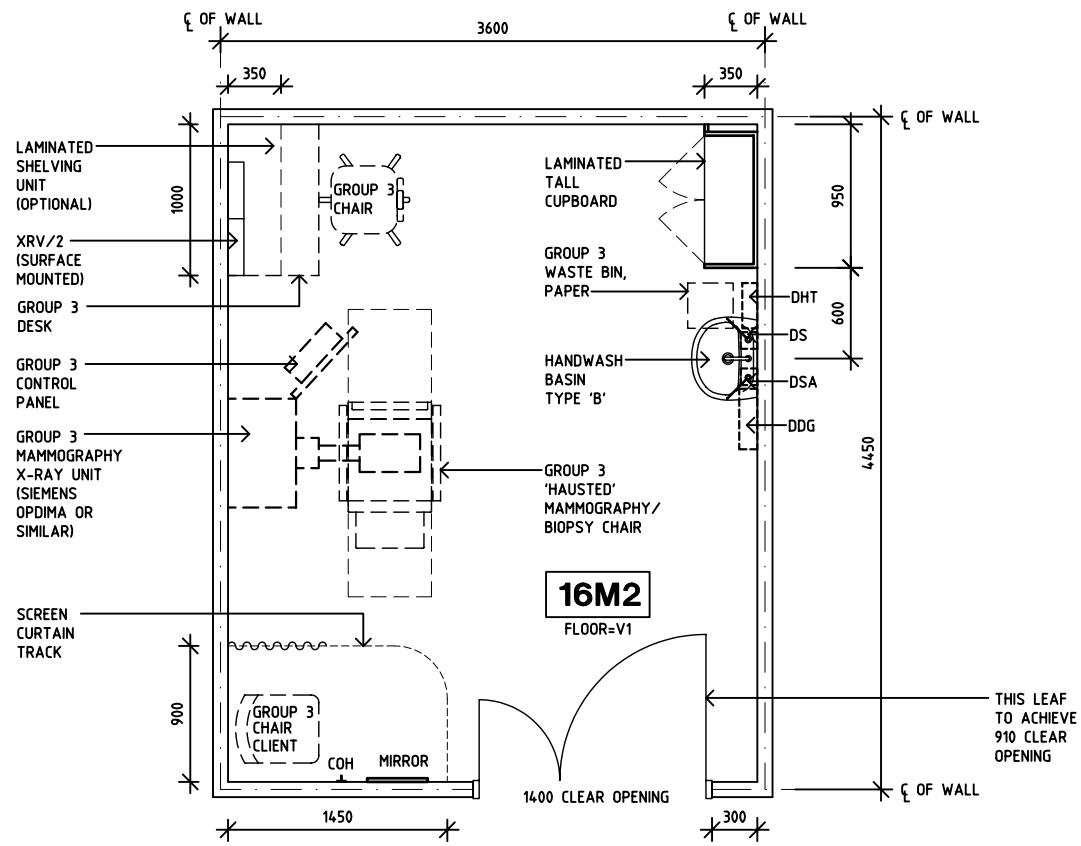
Room Layout Sheet

Room Name **Mammography**

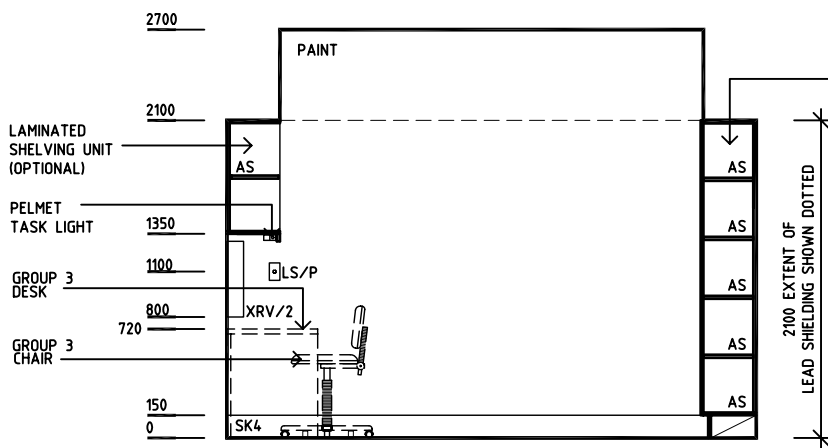
RLS Room Code **MAMMO**

RDS Room Code **MAMMO**

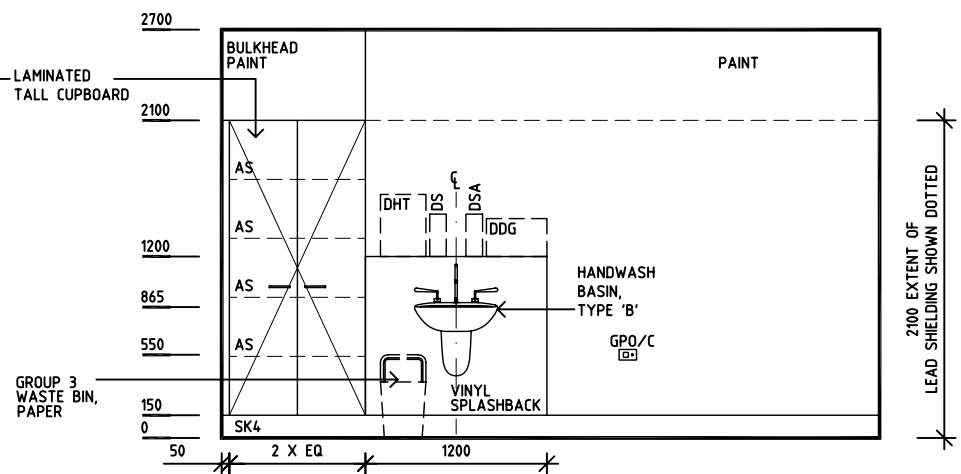
- AS ADJUSTABLE SHELF
- COH COAT HOOK
- COM/2 COMMUNICATION/ DATA OUTLET - DOUBLE
- DDG DISPENSER - DISPOSABLE GLOVES
- DHT DISPENSER - HAND TOWEL
- DP DOOR AND DOOR FRAME PROTECTION
- DS DISPENSER - SOAP
- DSA DISPENSER - SOAP ANTISEPTIC
- EC EMERGENCY CALL
- GP0/1 EP EMERGENCY POWER OUTLET - SINGLE
- GP0/2 GENERAL PURPOSE OUTLET - DOUBLE
- GP0/C GENERAL PURPOSE OUTLET - CLEANER
- GP0/S SPECIAL POWER OUTLET - SINGLE
- LS/R LIGHT SWITCH - ROOM
- LS/DD LIGHT SWITCH, DIMMER - DOWNLIGHTS
- LS/P LIGHT SWITCH - PELMET LIGHT
- NA NURSE/STAFF ASSIST CALL
- RCD RESIDUAL CURRENT DEVICE
- SK4 FLOOR VINYL COVERED SKIRTING
- V1 VINYL FLOORING, STANDARD
- XRV/2 X-RAY VIEWER, 2 SCREENS



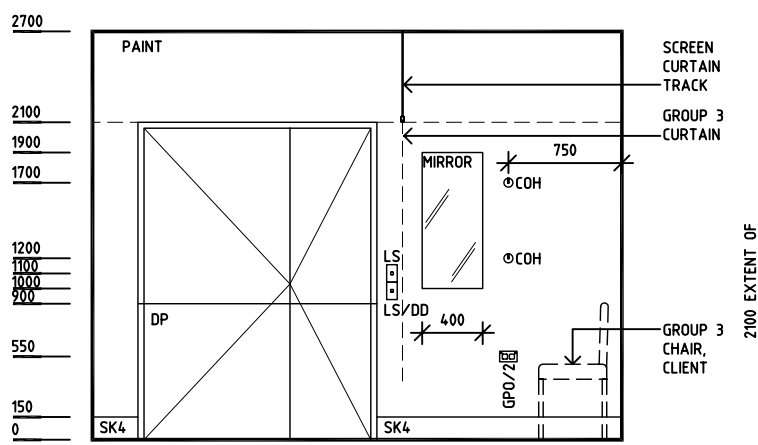
PLAN



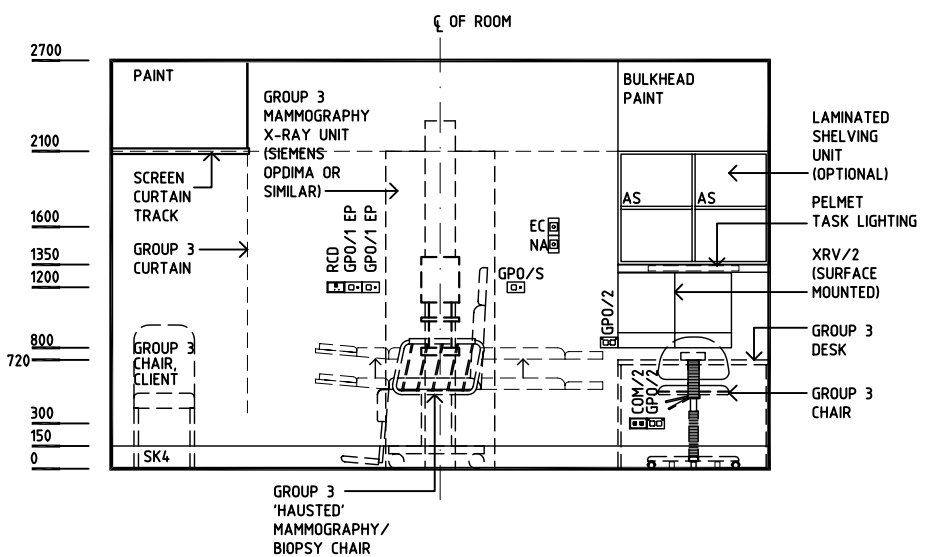
ELEVATION 1



ELEVATION 2



ELEVATION 3



ELEVATION 4

REV	DESCRIPTION	DATE	BY	REV	DESCRIPTION	DATE	BY	REV	DESCRIPTION	DATE	BY
1	FIRST ISSUE	1.7.05	EH								

DESIGNED	APPROVED	SCALE(S)	ZONE(S)
HS	DB	1:50 in A3	
CAD FILE NAME		PAPER DRAWING ID	
MAMMO		MAMMO	