

NSW HFG STANDARD COMPONENTS

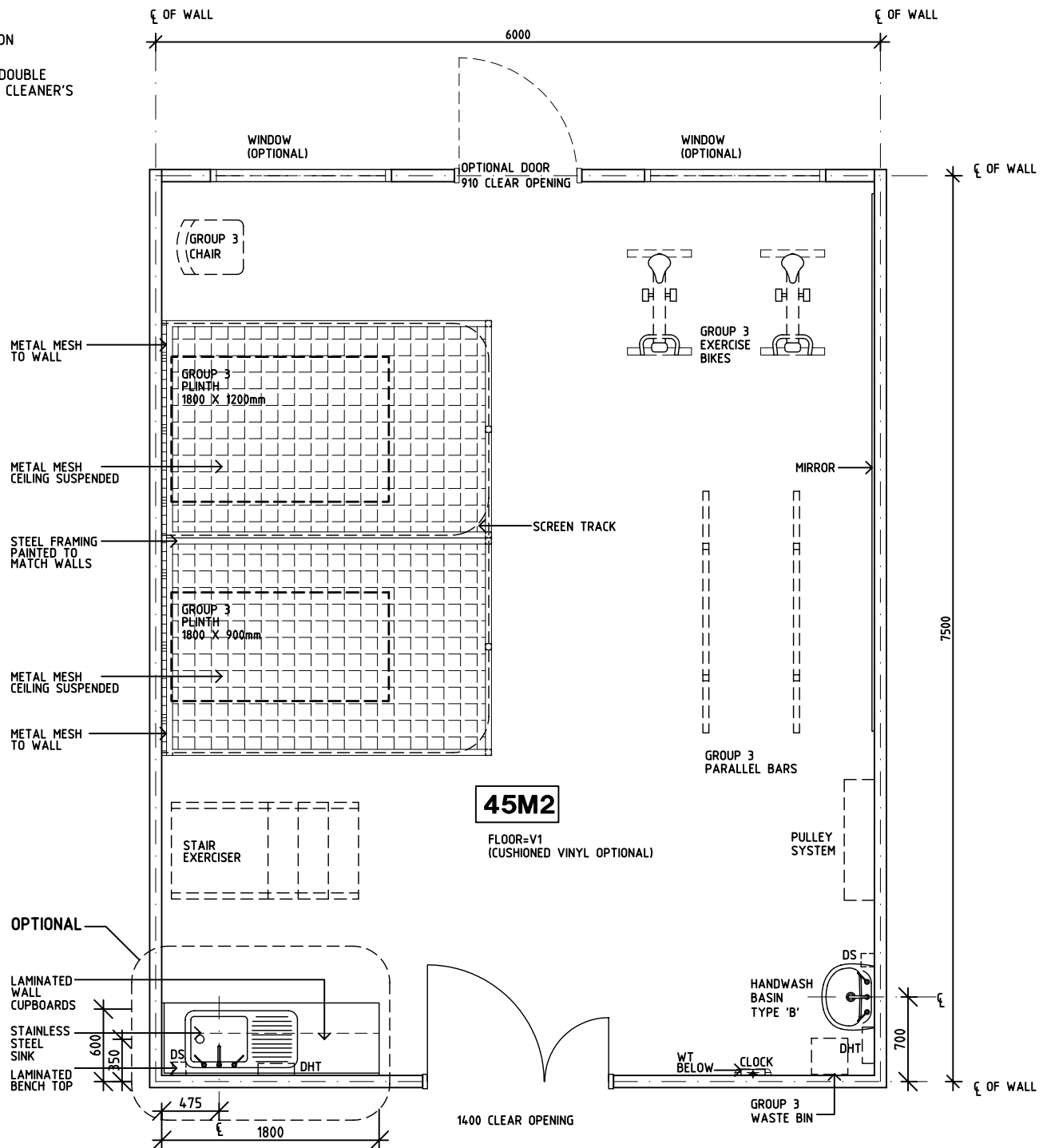
Room Layout Sheet

Room Name **Gymnasium - 45m2**

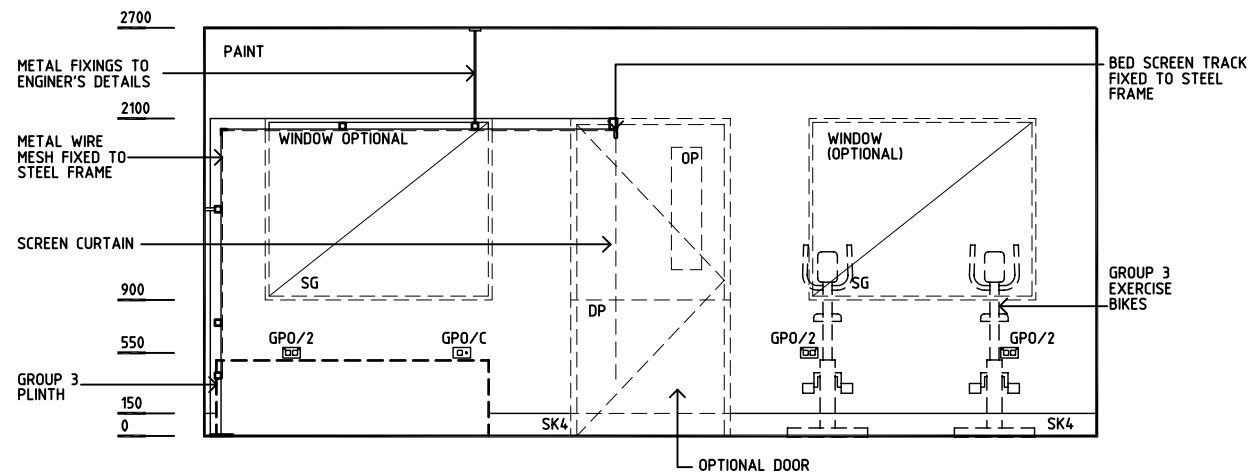
RLS Room Code **GYAH-45**

RDS Room Code **GYAH-45**

- AS ADJUSTABLE SHELF
- COM/2 COMMUNICATIONS OUTLET - DOUBLE
- DHT DISPENSER - HAND TOWEL
- DS DISPENSER - SOAP
- DP DOOR AND FRAME PROTECTION
- EC EMERGENCY CALL
- GPO/2 GENERAL PURPOSE OUTLET-DOUBLE
- GPO/C GENERAL PURPOSE OUTLET- CLEANER'S
- LS LIGHT SWITCH
- NA NURSE ASSIST CALL
- NC PATIENT/NURSE CALL
- OP OBSERVATION PANEL
- SK4 FLOOR VINYL COVERED
- SG SAFETY GLASS
- V1 VINYL FLOORING, STANDARD
- WT WALL TELEPHONE



PLAN



ELEVATION 1

REV	DESCRIPTION	DATE	BY	REV	DESCRIPTION	DATE	BY	REV	DESCRIPTION	DATE	BY
1	FIRST ISSUE	1.7.05	HS								

NSW HFG STANDARD COMPONENTS

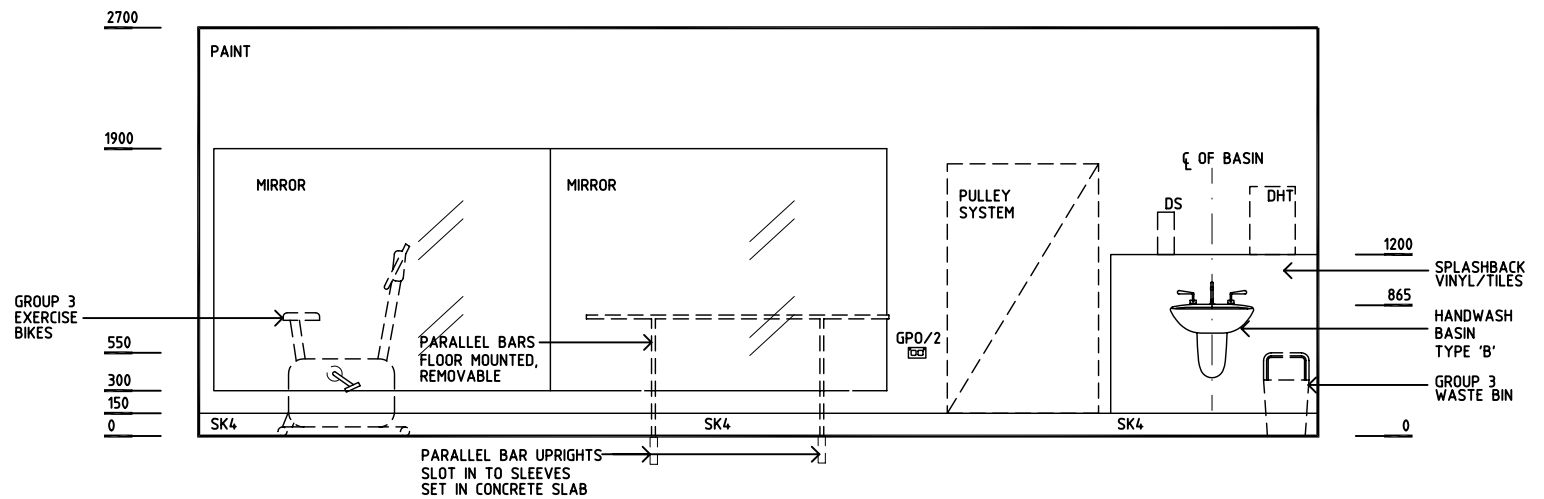
Room Layout Sheet

Room Name **Gymnasium - 45m2**

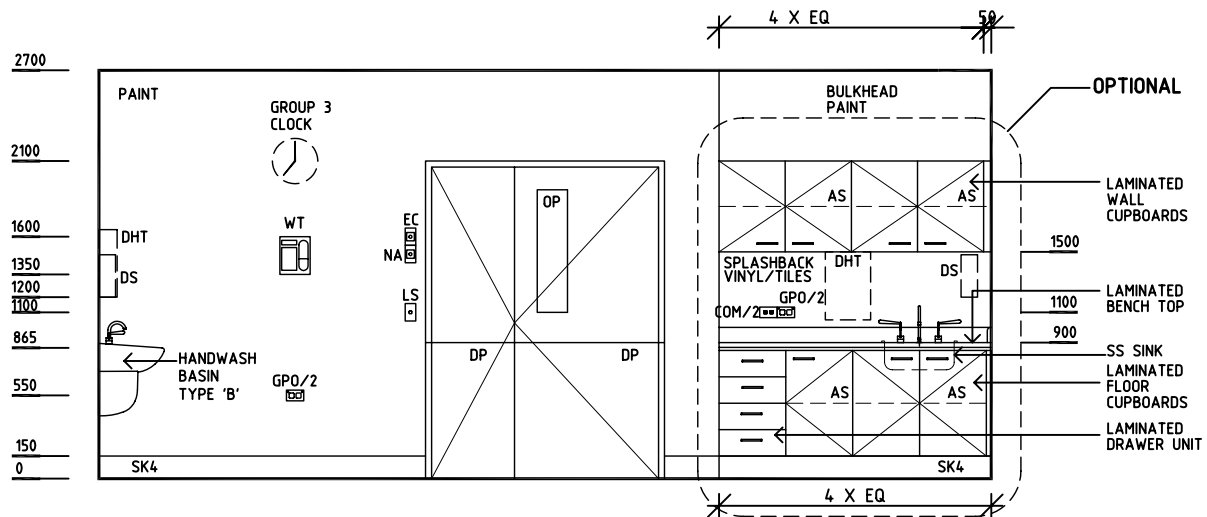
RLS Room Code **GYAH-45**

RDS Room Code **GYAH-45**

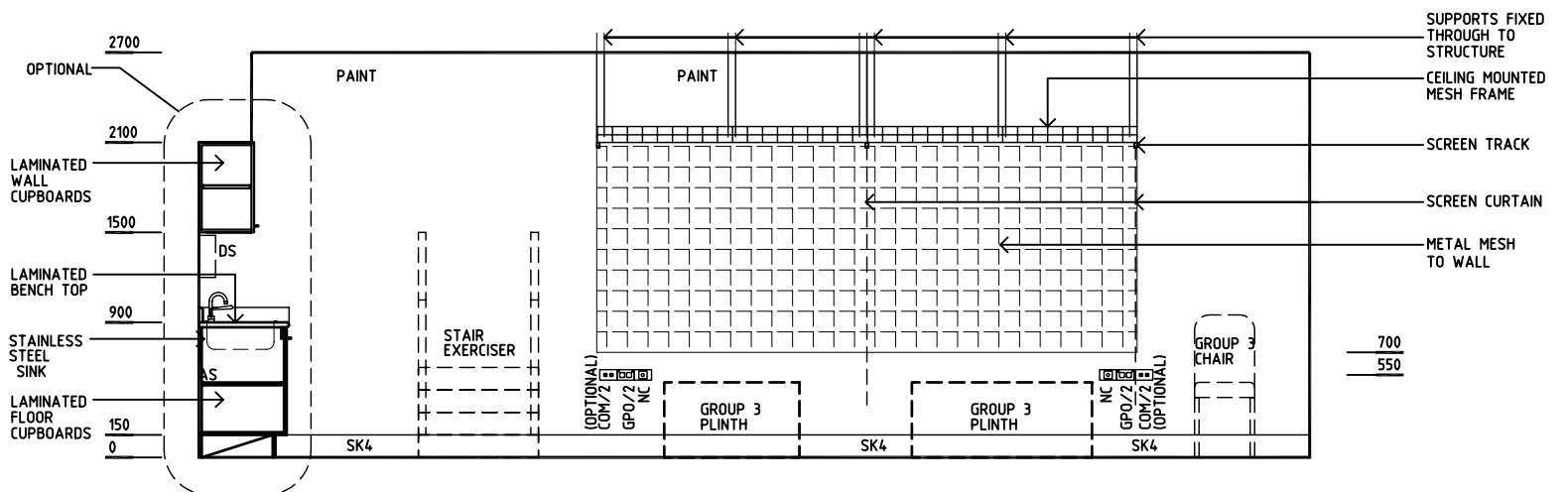
- AS ADJUSTABLE SHELF
- COM/2 COMMUNICATIONS OUTLET - DOUBLE
- DHT DISPENSER - HAND TOWEL
- DS DISPENSER - SOAP
- DP DOOR AND FRAME PROTECTION
- EC EMERGENCY CALL
- GPO/2 GENERAL PURPOSE OUTLET-DOUBLE
- GPO/C GENERAL PURPOSE OUTLET- CLEANER'S
- LS LIGHT SWITCH
- NA NURSE ASSIST CALL
- NC PATIENT/NURSE CALL
- OP OBSERVATION PANEL
- SK4 FLOOR VINYL COVERED
- SG SAFETY GLASS
- SS STAINLESS STEEL
- V1 VINYL FLOORING, STANDARD
- WT WALL TELEPHONE



ELEVATION 2



ELEVATION 3



ELEVATION 4

REV	DESCRIPTION	DATE	BY	REV	DESCRIPTION	DATE	BY	REV	DESCRIPTION	DATE	BY
1	FIRST ISSUE	1.7.05	HS								