

NSW HFG STANDARD COMPONENTS

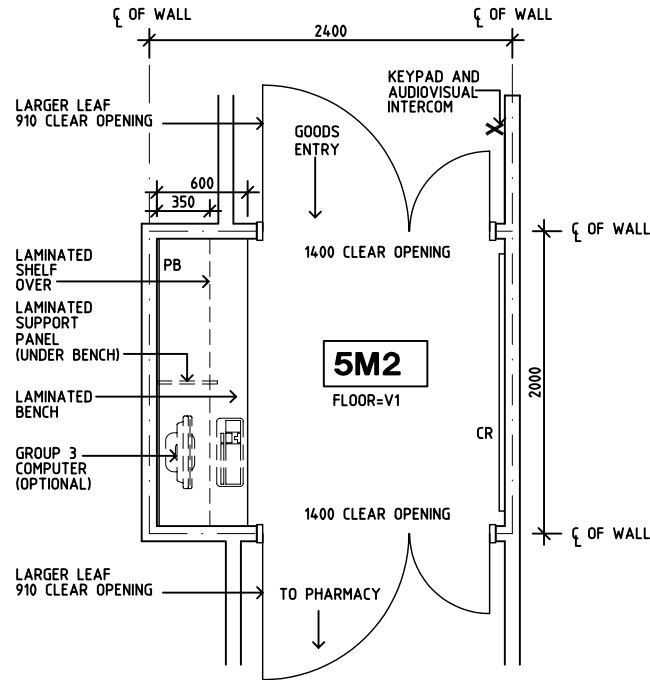
Room Layout Sheet

Room Name **Goods Receipt - Pharmacy**

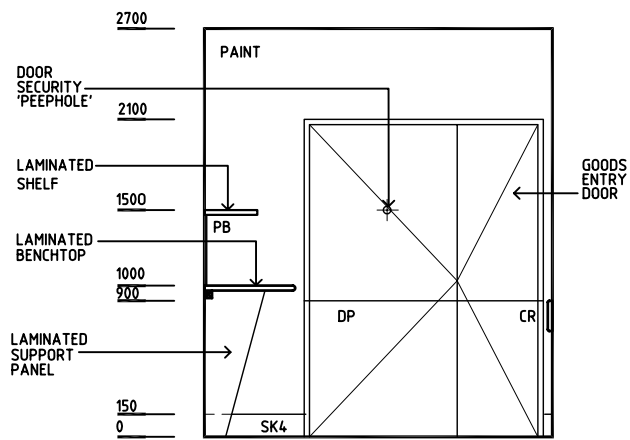
RLS Room Code **GRE**

RDS Room Code **GRE**

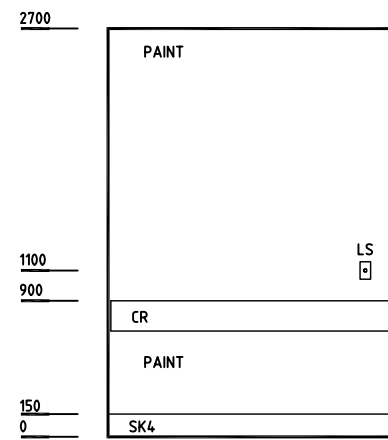
- COM/2 COMMUNICATIONS/ DATA OUTLET, DOUBLE
- CR CRASH RAIL
- DP DOOR AND FRAME PROTECTION
- GPO/2 GENERAL PURPOSE OUTLET, DOUBLE
- LS LIGHT SWITCH
- OP OBSERVATION PANEL
- SK4 FLOOR VINYL COVERED SKIRTING
- V1 VINYL FLOORING, STANDARD



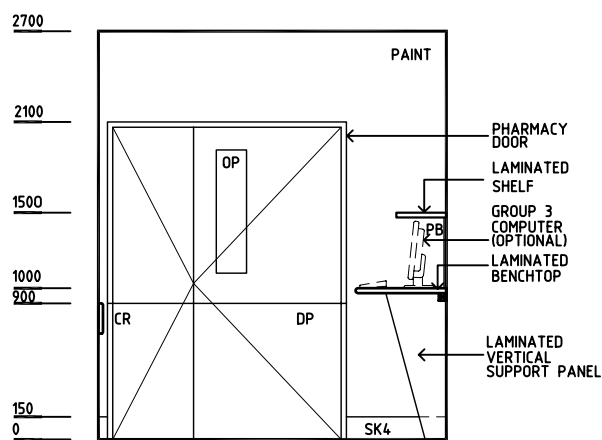
PLAN



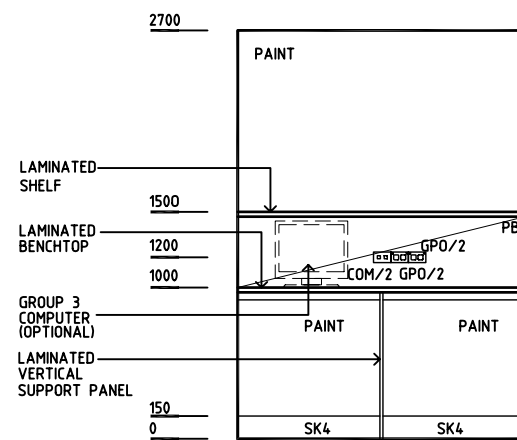
ELEVATION 1



ELEVATION 2



ELEVATION 3



ELEVATION 4

REV	DESCRIPTION	DATE	BY	REV	DESCRIPTION	DATE	BY	REV	DESCRIPTION	DATE	BY
1	FIRST ISSUE	1.7.05	HS								