

NSW HFG STANDARD COMPONENTS

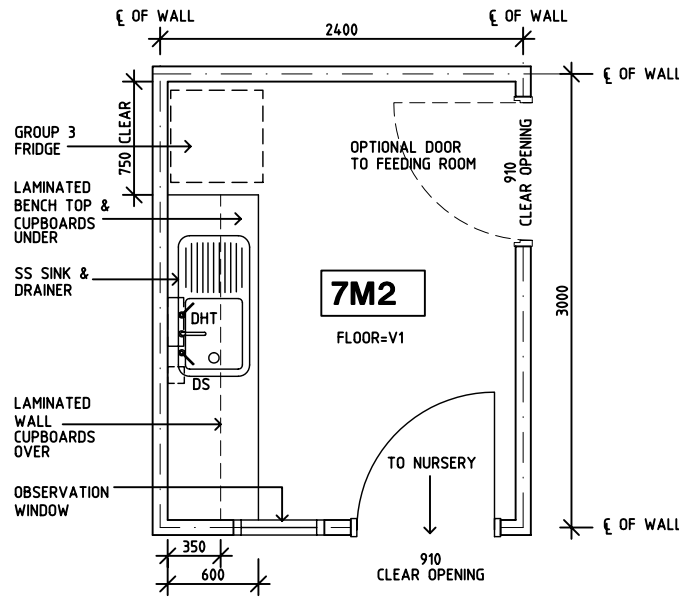
Room Layout Sheet

Room Name **Formula Room**

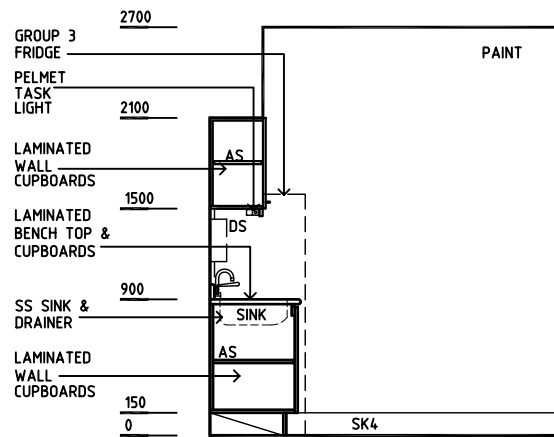
RLS Room Code **FORM**

RDS Room Code **FORM**

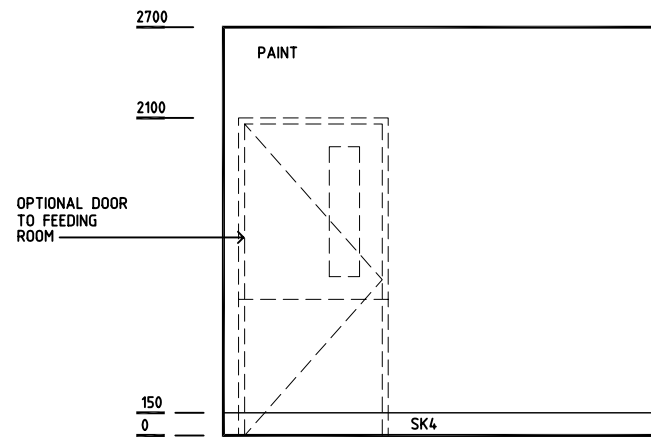
- AS ADJUSTABLE SHELF
- DHT DISPENSER - HAND TOWEL
- DP DOOR & FRAME PROTECTION
- DS DISPENSER - SOAP
- GPO/1 GENERAL PURPOSE OUTLET-SINGLE
- LS/P LIGHT SWITCH - PELMET TASK LIGHT
- LS/R LIGHT SWITCH - ROOM
- OP OBSERVATION PANEL
- RCD RESIDUAL CURRENT DEVICE
- SK4 FLOOR VINYL COVERED
- SS STAINLESS STEEL
- V1 VINYL FLOORING, STANDARD



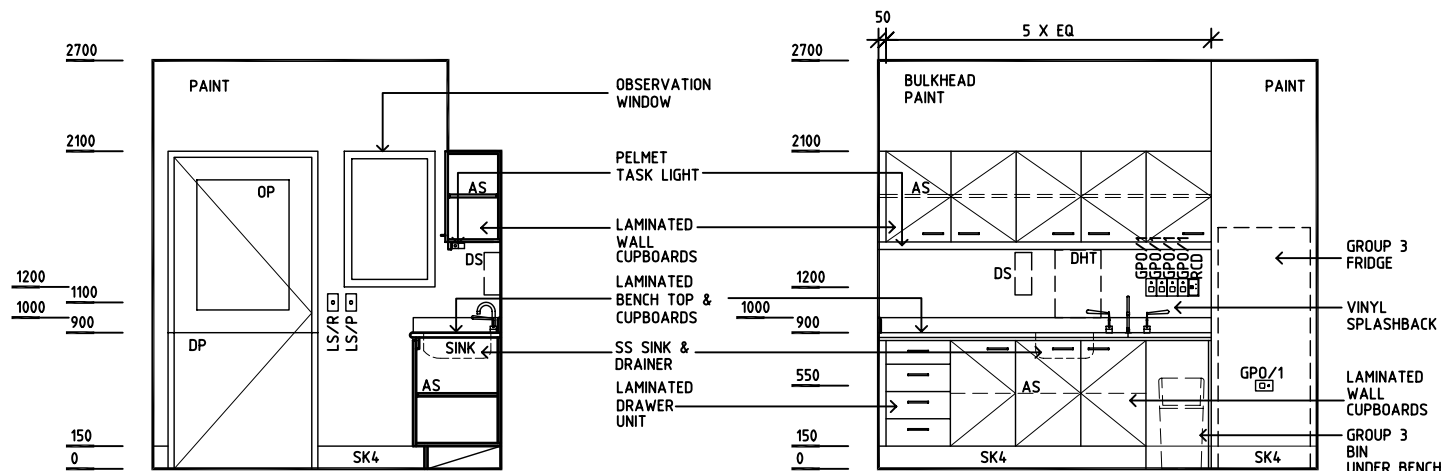
PLAN



ELEVATION 1



ELEVATION 2



ELEVATION 3

ELEVATION 4

REV	DESCRIPTION	DATE	BY	REV	DESCRIPTION	DATE	BY	REV	DESCRIPTION	DATE	BY
1	FIRST ISSUE	1.7.05	HS								