

NSW HFG STANDARD COMPONENTS

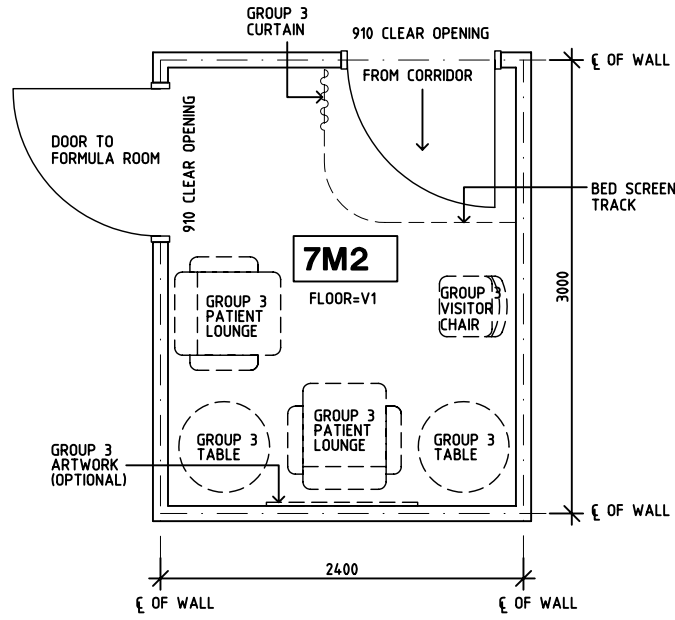
Room Layout Sheet

Room Name **Feeding Room**

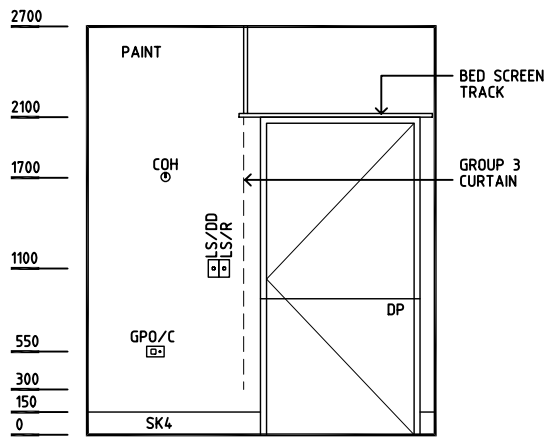
RLS Room Code **FEED**

RDS Room Code **FEED**

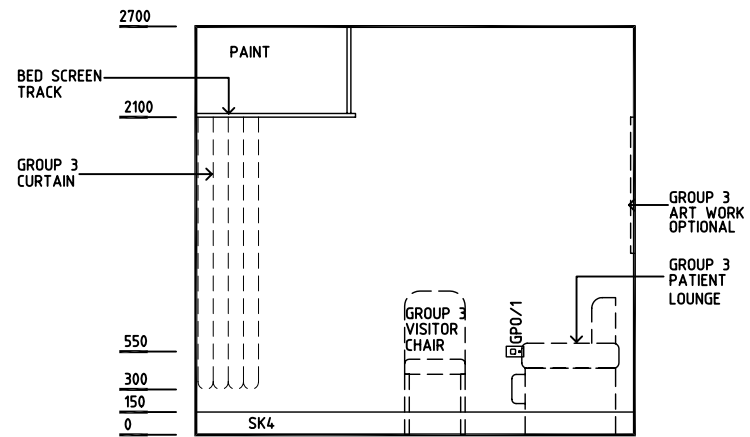
- COH COAT HOOK
- COM/2 COMMUNICATION/ DATA OUTLET - DOUBLE
- DP DOOR & FRAME PROTECTION
- GPO/1 GENERAL PURPOSE OUTLET-SINGLE
- GPO/C GENERAL PURPOSE OUTLET-CLEANER'S
- LS/DD LIGHT SWITCH, DIMMER - DOWNLIGHTS
- LS/R LIGHT SWITCH - ROOM
- OP OBSERVATION PANEL
- SK4 FLOOR VINYL COVED
- V1 VINYL FLOORING, STANDARD



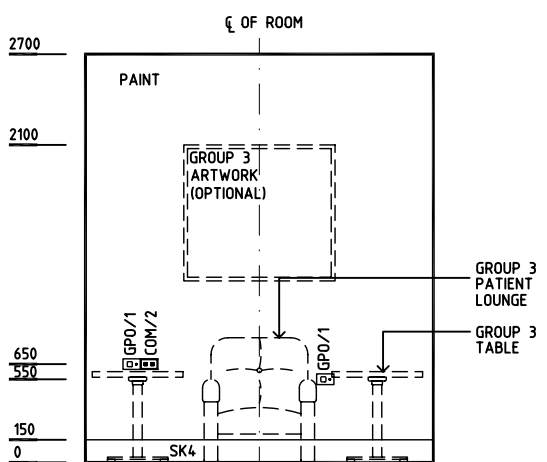
PLAN



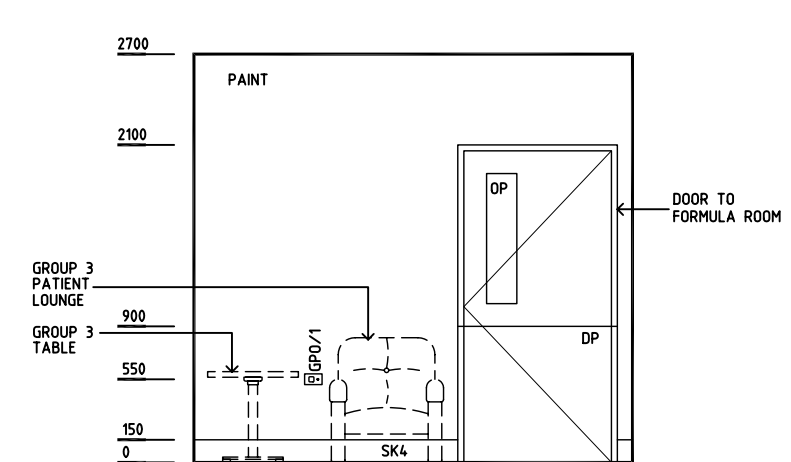
ELEVATION 1



ELEVATION 2



ELEVATION 3



ELEVATION 4

REV	DESCRIPTION	DATE	BY	REV	DESCRIPTION	DATE	BY	REV	DESCRIPTION	DATE	BY
1	FIRST ISSUE	24.6.05	CC								