

NSW HFG STANDARD COMPONENTS

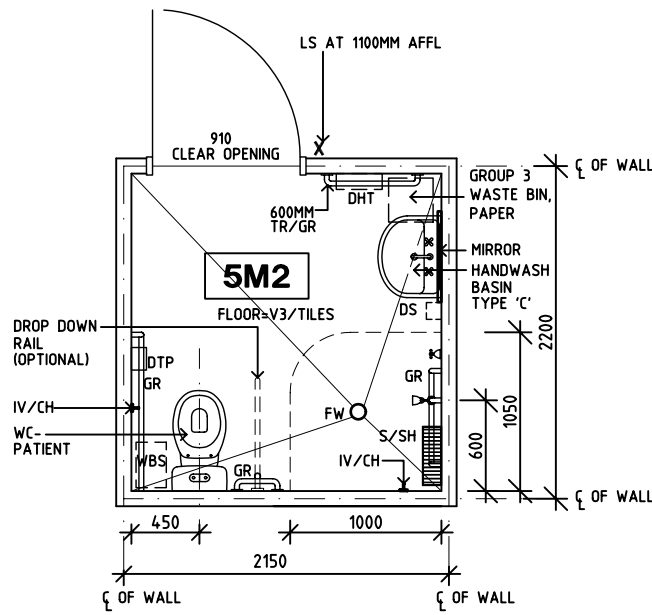
Room Layout Sheet

Room Name **Ensuite - Birthing Room, Alternative**

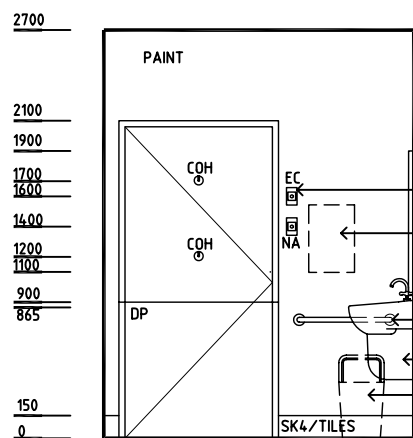
RLS Room Code **ENS-BR-B**

RDS Room Code **ENS-BR-B**

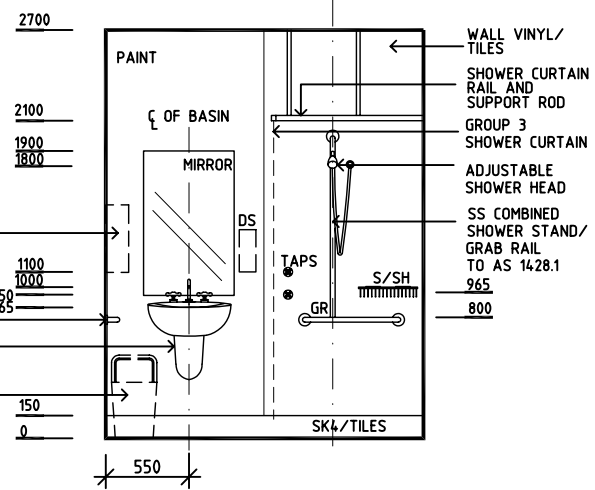
- CH CATHETER HOOK
- COH COAT HOOK
- CP CHROME PLATED
- DDG DISPENSER - DISPOSABLE GLOVE
- DHT DISPENSER - HAND TOWEL
- DP DOOR AND DOOR FRAME PROTECTION
- DS DISPENSER - SOAP
- DTP DISPENSER - TOILET PAPER
- EC EMERGENCY CALL
- FW FLOOR WASTE
- GPO/2 GENERAL POWER OUTLET, DOUBLE
- GR GRAB RAIL
- IV IV HOOK
- LS LIGHT SWITCH
- NA NURSE ASSIST CALL
- NC PATIENT NURSE CALL
- S/SH SOAP AND SHAMPOO HOLDER
- SK4 FLOOR VINYL COVERED SKIRTING
- SS STAINLESS STEEL
- TR TOWEL RAIL
- V3 FLOOR VINYL, STUDDED
- WBS WASTE BIN SANITARY



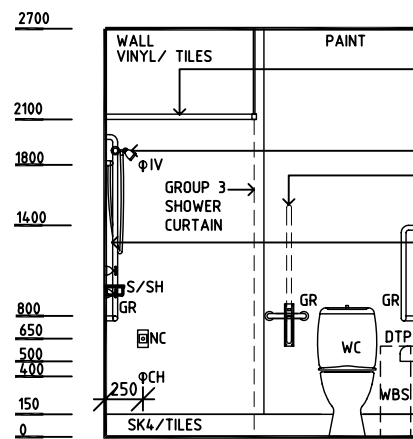
PLAN



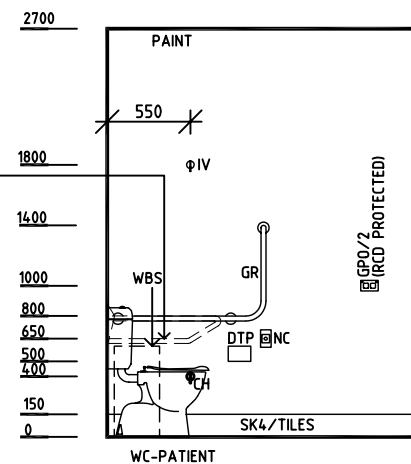
ELEVATION 1



ELEVATION 2



ELEVATION 3



ELEVATION 4

REV	DESCRIPTION	DATE	BY	REV	DESCRIPTION	DATE	BY	REV	DESCRIPTION	DATE	BY
1	FIRST ISSUE	10.6.05	HS								