

# NSW HFG STANDARD COMPONENTS

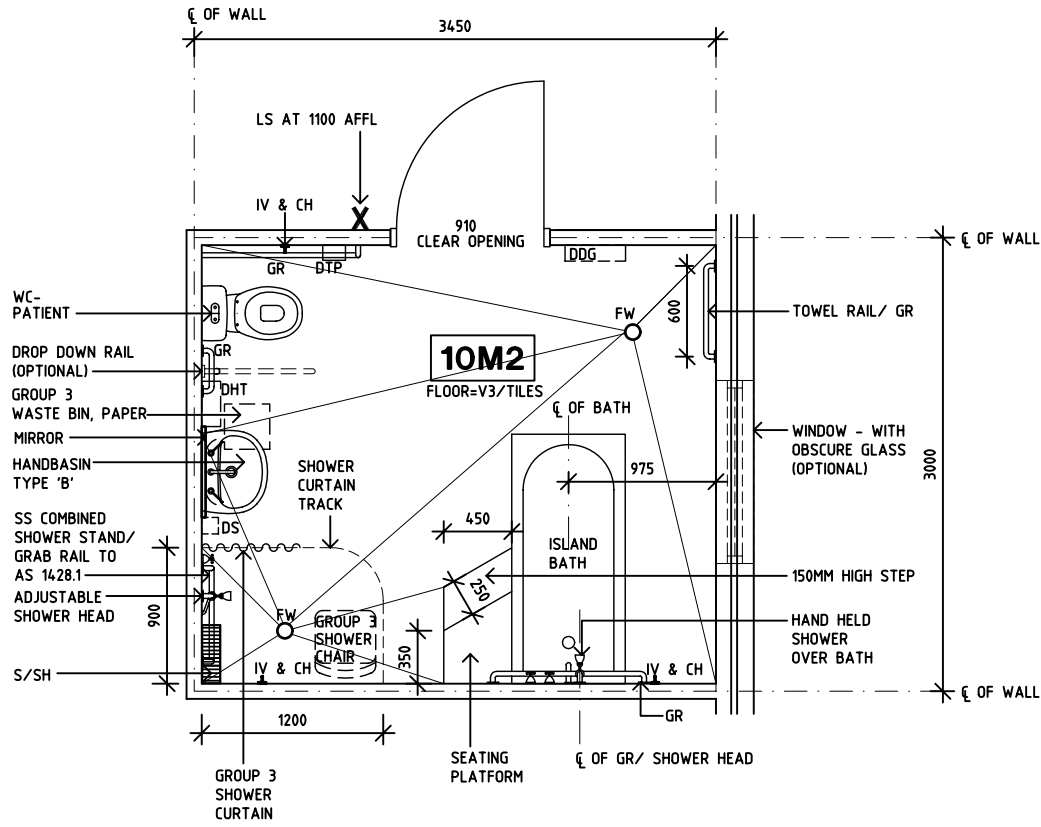
Room Layout Sheet

Room Name **Ensuite - Birthing Room**

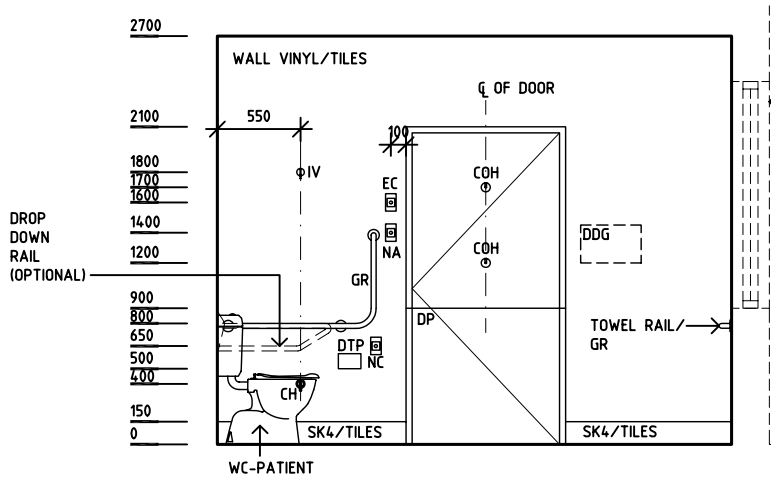
RLS Room Code **ENS-BR-A**

RDS Room Code **ENS-BR-A**

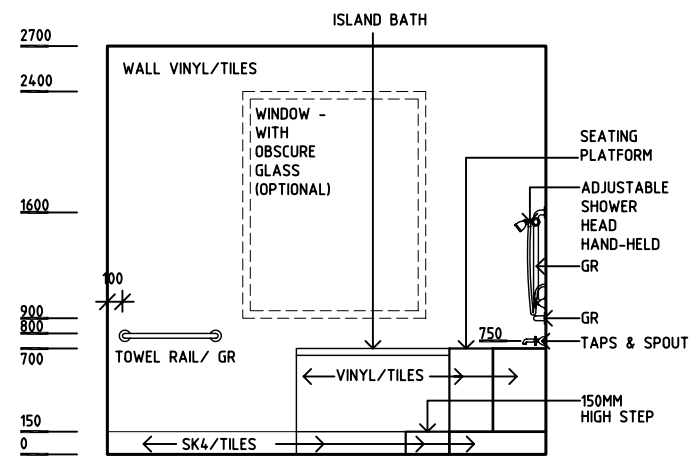
- CH CATHETER HOOK
- COH COAT HOOK
- DHT DISPENSER - HAND TOWEL
- DP DOOR AND DOOR FRAME PROTECTION
- DS DISPENSER - SOAP
- DTP DISPENSER - TOILET PAPER
- EC EMERGENCY CALL
- FW FLOOR WASTE
- GPO/2 GENERAL POWER OUTLET, DOUBLE
- GR GRAB RAIL
- IV IV HOOK
- LS LIGHT SWITCH
- NA NURSE ASSIST CALL
- NC PATIENT/NURSE CALL
- N20 NITROUS OXIDE
- O2 OXYGEN
- SC SCAVENGE OUTLET
- S/SH SOAP AND SHAMPOO HOLDER
- SK4 FLOOR VINYL COVERED SKIRTING
- V3 FLOOR VINYL - STUDDED



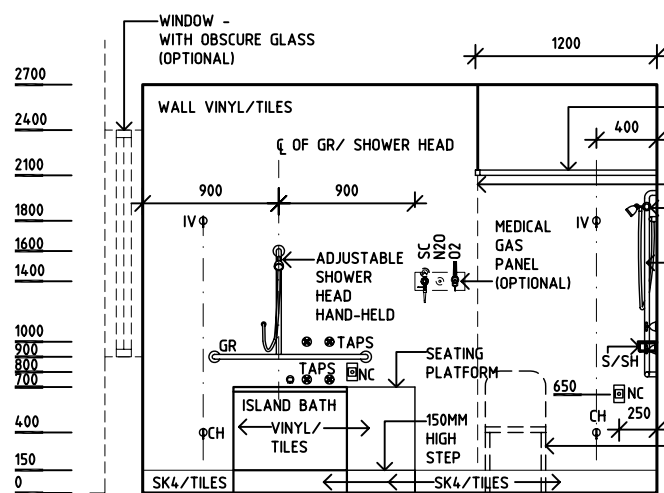
**PLAN**



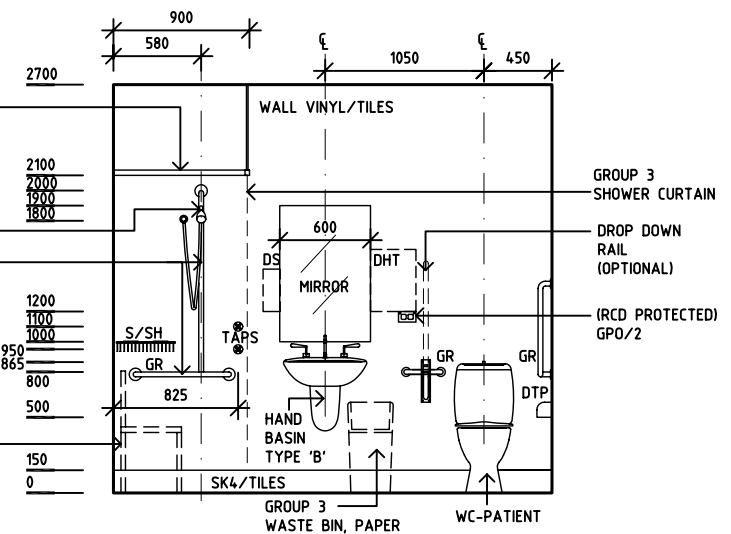
**ELEVATION 1**



**ELEVATION 2**



**ELEVATION 3**



**ELEVATION 4**

REV	DESCRIPTION	DATE	BY	REV	DESCRIPTION	DATE	BY	REV	DESCRIPTION	DATE	BY
1	FIRST ISSUE	1.7.05	HS								

		HPI	DESIGNED	APPROVED	SCALE(S)	ZONE(S)
			AL/HS	DB	1:50 in A3	
			CAD FILE NAME		PAPER DRAWING ID	
ENS-BR-A		ENS-BR-A				