

# NSW HFG STANDARD COMPONENTS

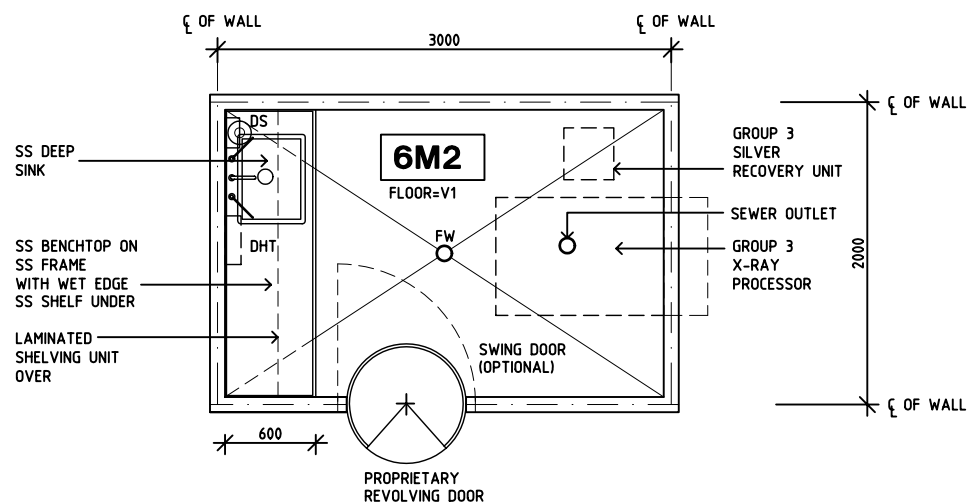
Room Layout Sheet

Room Name **Dark Room**

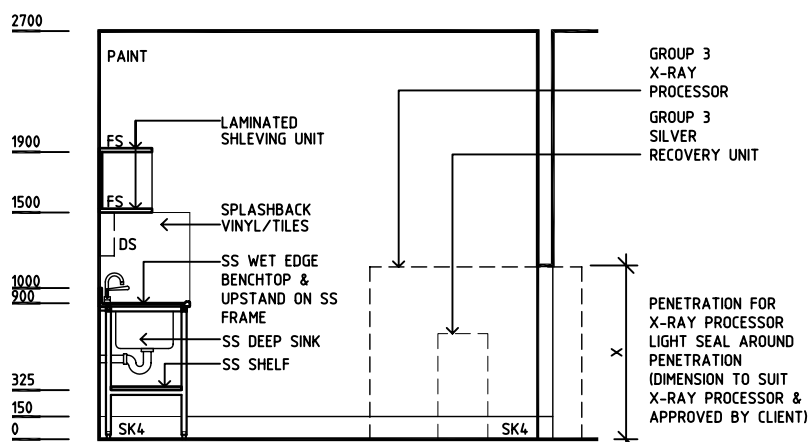
RLS Room Code **DARK**

RDS Room Code **DARK**

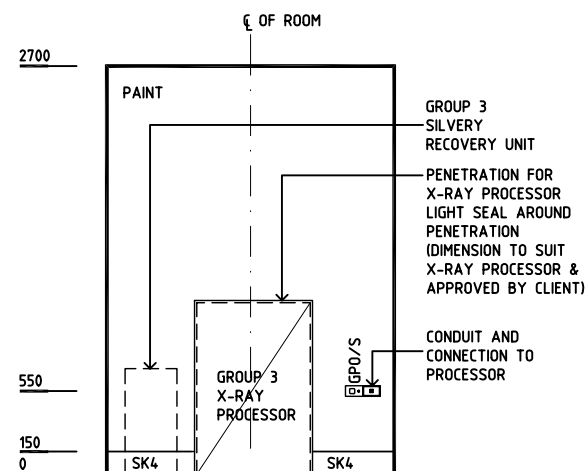
- DHT DISPENSER - HAND TOWEL
- DS DISPENSER- SOAP
- FS FIXED SHELF
- FW FLOOR WASTE
- GPO/2 GENERAL PURPOSE OUTLET - DOUBLE
- GPO/S SPECIAL POWER OUTLET - SINGLE
- LS LIGHT SWITCH
- LS-DARK LIGHT SWITCH - DARK LIGHT
- SK4 FLOOR VINYL COVERED SKIRTING
- SS STAINLESS STEEL
- V1 VINYL FLOORING, STANDARD



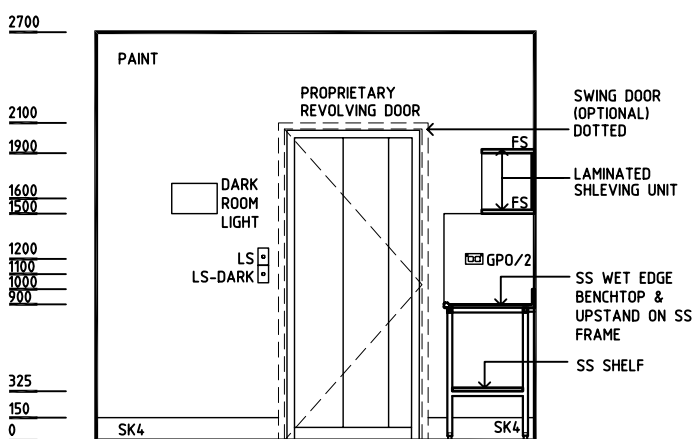
**PLAN**



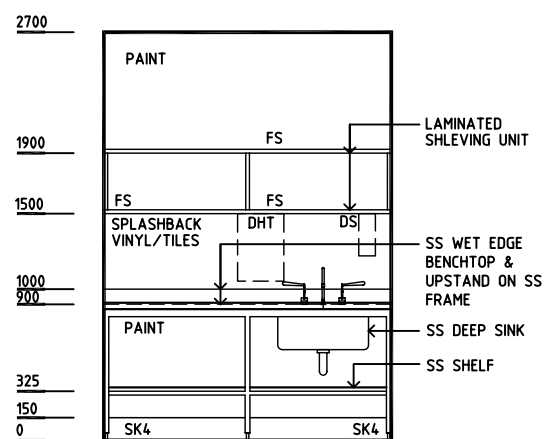
**ELEVATION 1**



**ELEVATION 2**



**ELEVATION 3**



**ELEVATION 4**

REV	DESCRIPTION	DATE	BY	REV	DESCRIPTION	DATE	BY	REV	DESCRIPTION	DATE	BY
1	FIRST ISSUE	26.4.05	HS								