

NSW HFG STANDARD COMPONENTS

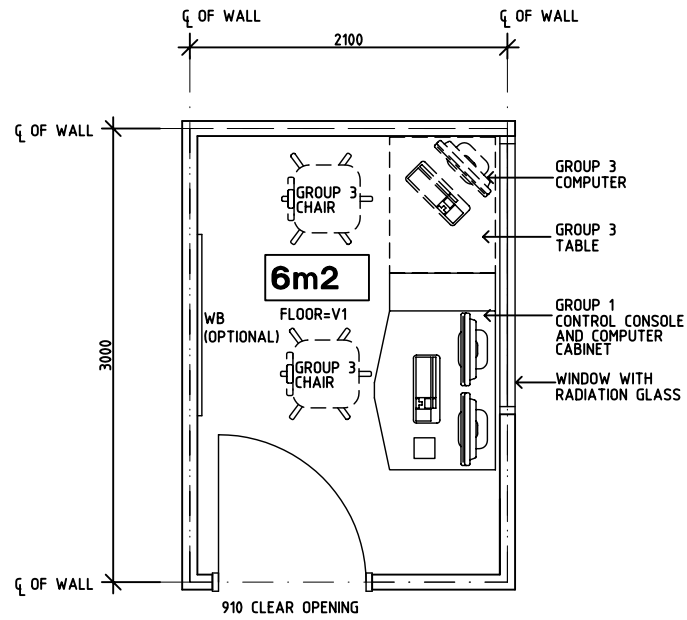
Room Layout Sheet

Room Name **CT Scanner - Control Room**

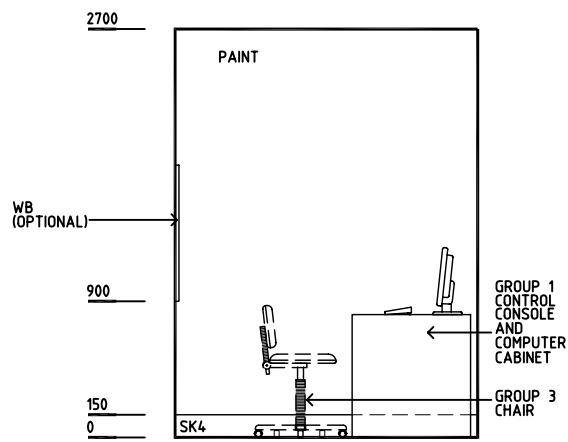
RLS Room Code **CTCR**

RDS Room Code **CTCR**

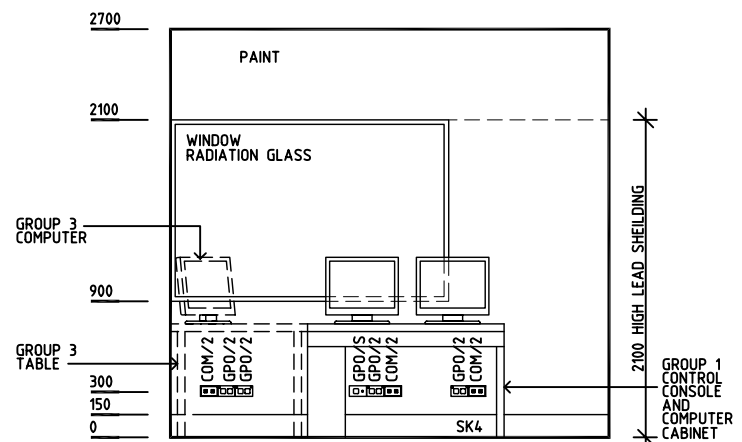
- COH COAT HOOK
- COM/2 COMMUNICATION OUTLET-DOUBLE
- GPO/2 GENERAL PURPOSE OUTLET-DOUBLE
- GPO/S GENERAL PURPOSE OUTLET-SPECIAL
- LS LIGHT SWITCH
- OP OBSERVATION PANEL
- SK4 FLOOR VINYL COVERED SKIRTING
- WB WHITEBOARD
- V1 VINYL FLOORING STANDARD



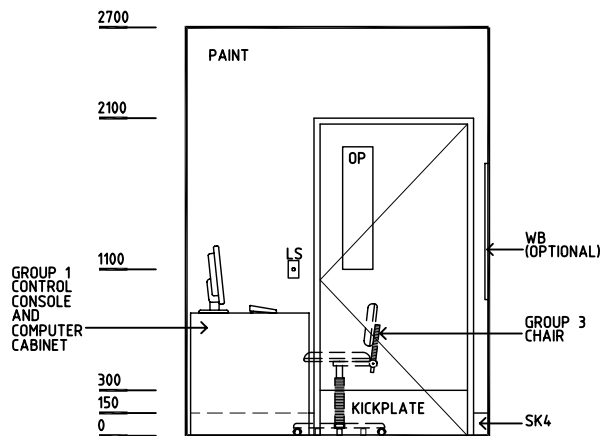
PLAN



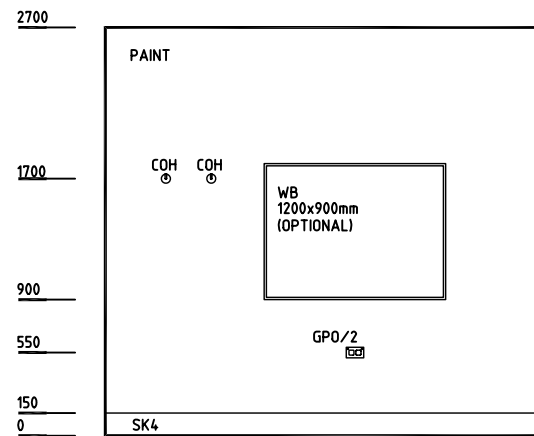
ELEVATION 1



ELEVATION 2



ELEVATION 3



ELEVATION 4

REV	DESCRIPTION	DATE	BY	REV	DESCRIPTION	DATE	BY	REV	DESCRIPTION	DATE	BY
1	FIRST ISSUE	1.7.05	BJ								