

NSW HFG STANDARD COMPONENTS

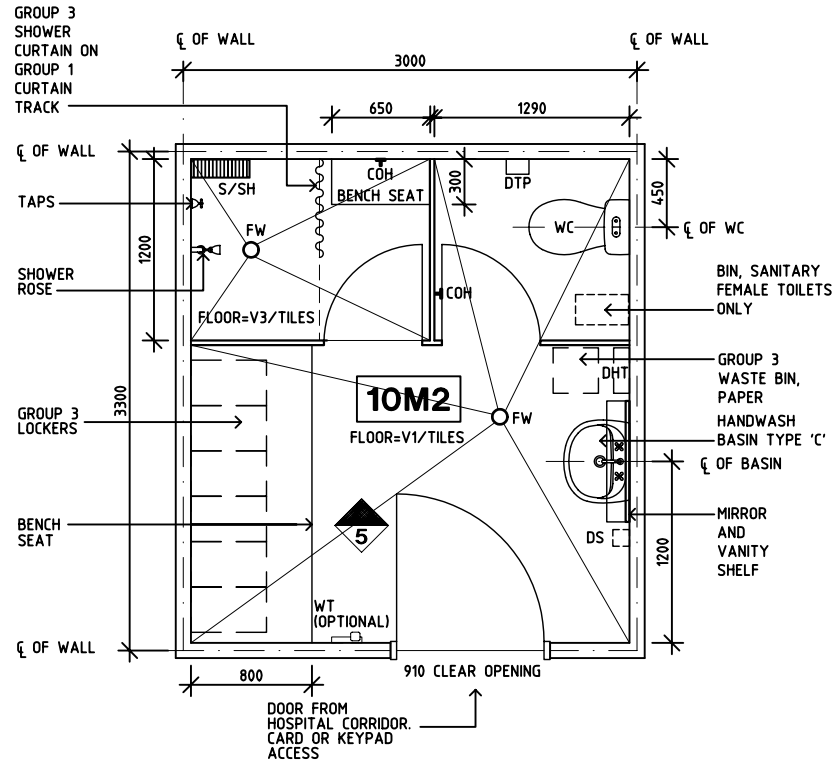
Room Layout Sheet

Room Name **Change - Staff (Male/Female), 10m2**

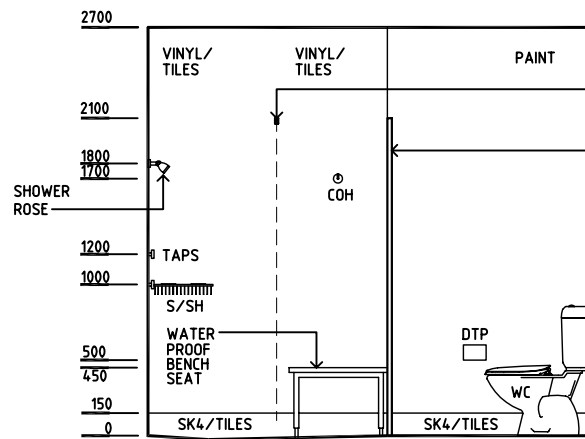
RLS Room Code **CHST-10**

RDS Room Code **CHST-10**

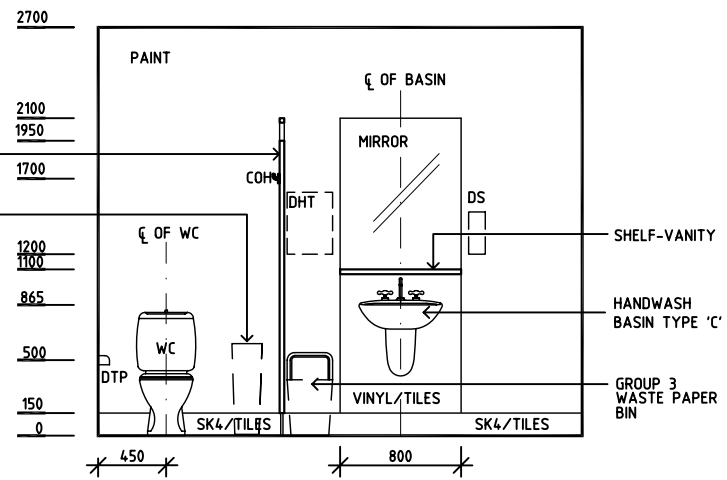
- COH COAT HOOK
- DS DISPENSER - SOAP
- DHT DISPENSER - HAND TOWEL
- DTP DISPENSER - TOILET PAPER
- FW FLOOR WASTE
- GPO/2 GENERAL PURPOSE OUTLET-DOUBLE
- LS LIGHT SWITCH
- SK4 FLOOR VINYL COVERED SKIRTING
- S/SH SOAP/SHAMPOO HOLDER
- V1 FLOOR VINYL, STANDARD
- V3 FLOOR VINYL, STUDDED
- WT WALL TELEPHONE



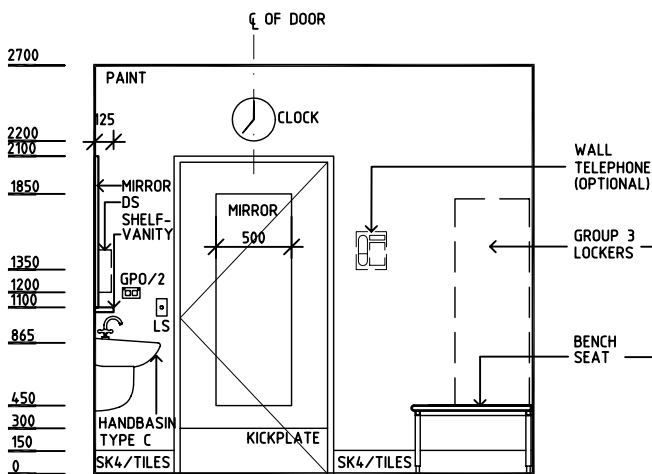
PLAN



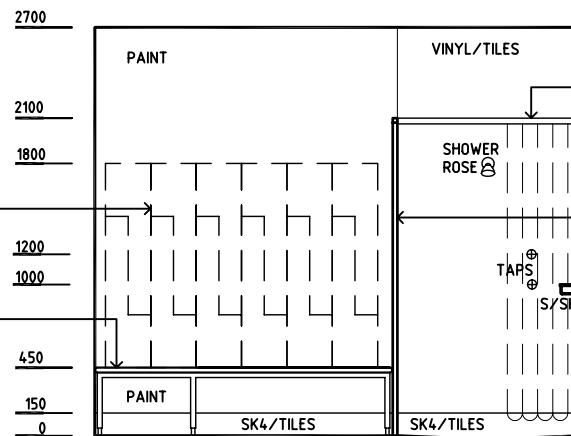
ELEVATION 1



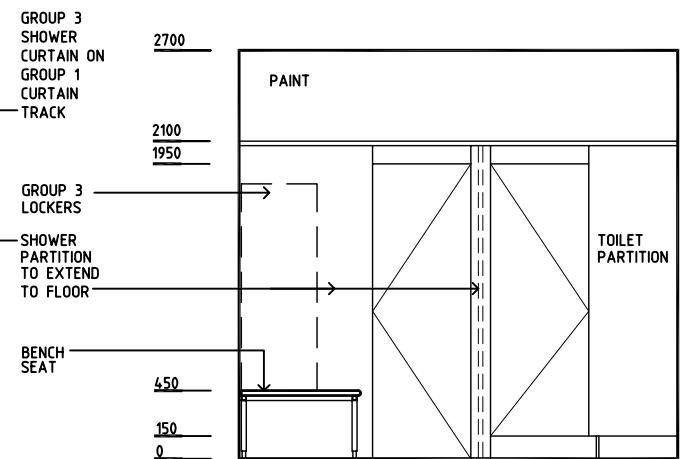
ELEVATION 2



ELEVATION 3



ELEVATION 4



ELEVATION 5

REV	DESCRIPTION	DATE	BY	REV	DESCRIPTION	DATE	BY	REV	DESCRIPTION	DATE	BY
1	FIRST ISSUE	21.7.05	HS								