

# NSW HFG STANDARD COMPONENTS

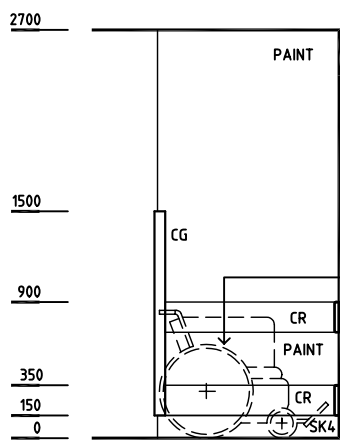
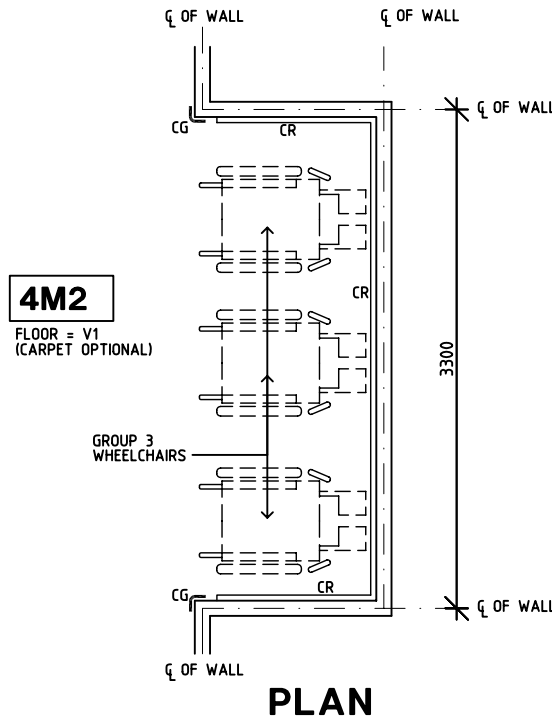
Room Layout Sheet

Room Name **Bay - Wheelchair Park, 4m2**

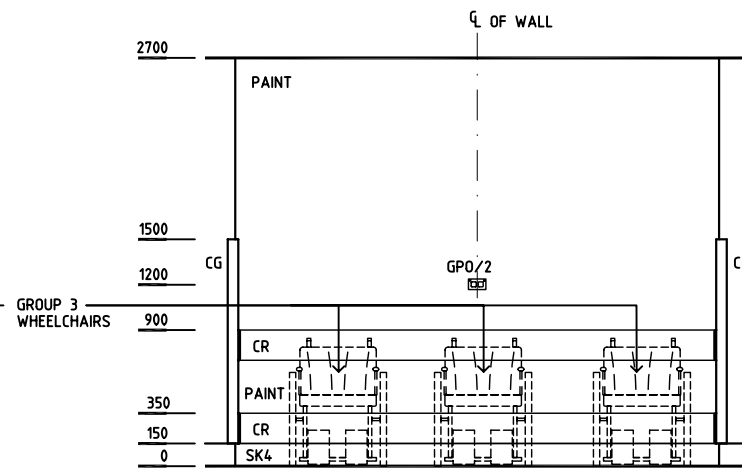
RLS Room Code **BWC**

RDS Room Code **BWC**

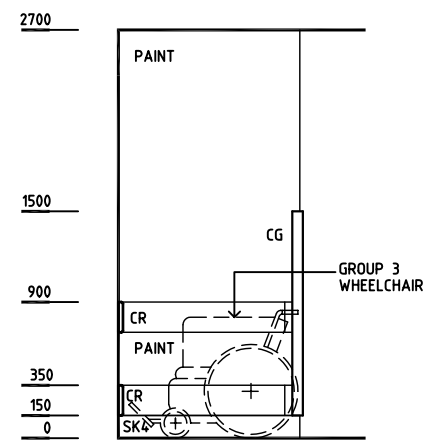
- CG CORNER GUARD
- CR CRASH RAIL
- GPO/2 GENERAL POWER OUTLET - DOUBLE
- SK4 FLOOR VINYL COVERED SKIRTING
- V1 VINYL FLOORING, STANDARD



**ELEVATION 1**



**ELEVATION 2**



**ELEVATION 3**

REV	DESCRIPTION	DATE	BY	REV	DESCRIPTION	DATE	BY	REV	DESCRIPTION	DATE	BY
1	FIRST ISSUE	14.7.05	BJ								