

NSW HFG STANDARD COMPONENTS

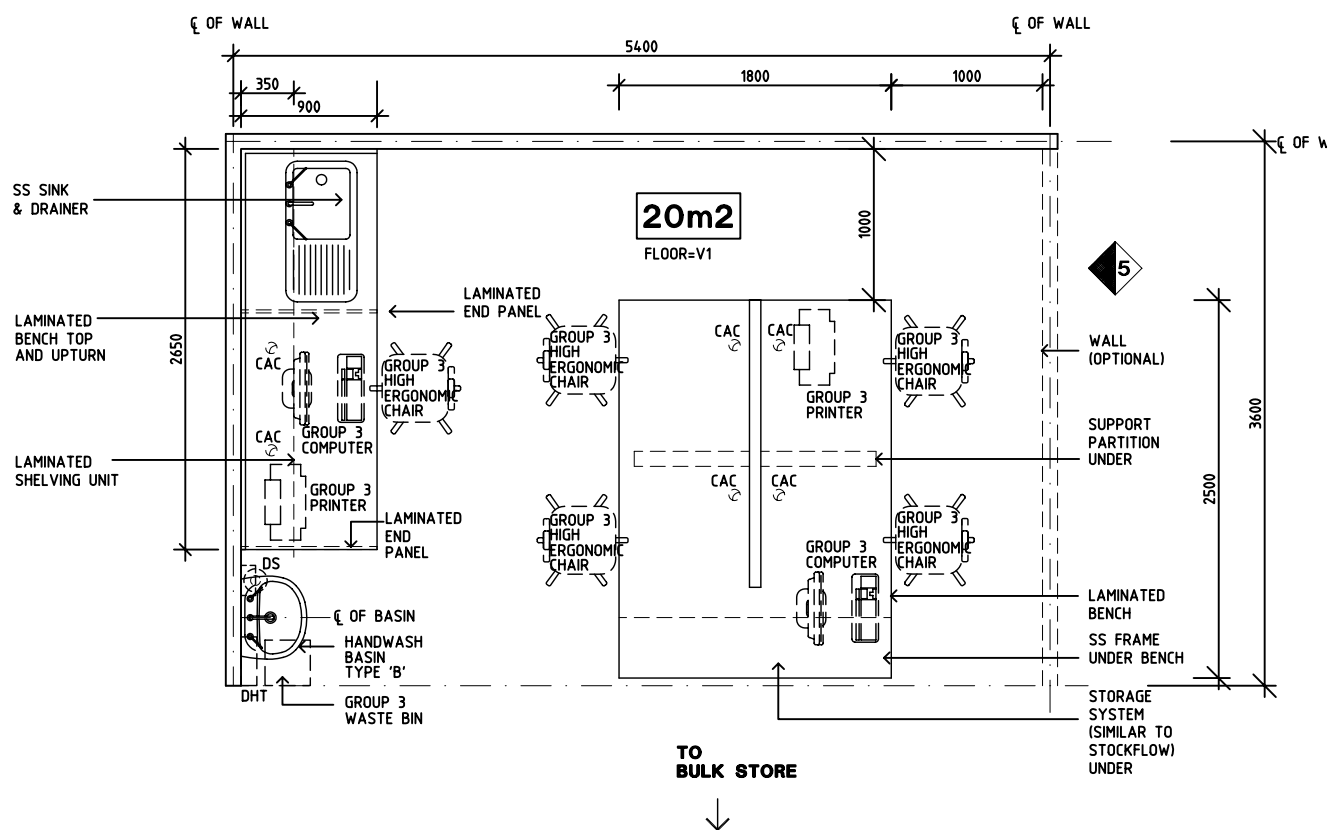
Room Layout Sheet

Room Name **Assembly / Preparation (Pharmacy), 20m2**

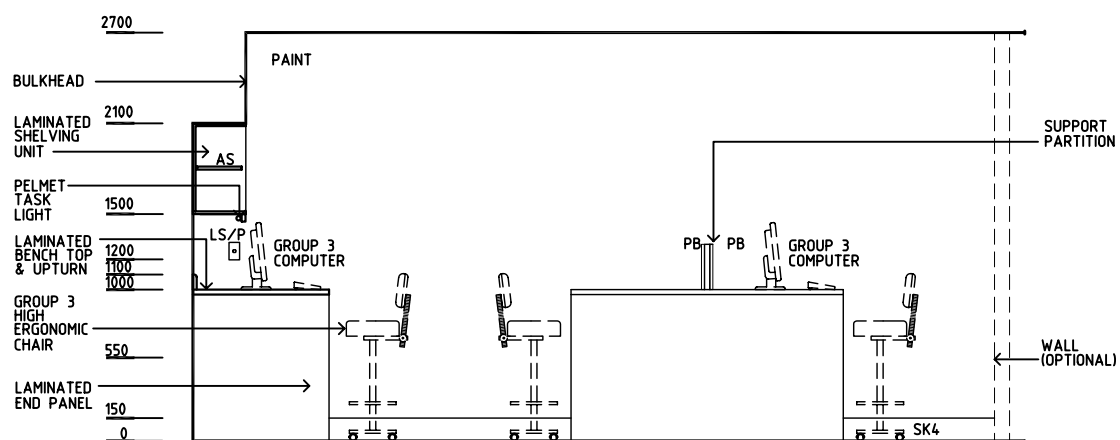
RLS Room Code **ASPR-20**

RDS Room Code **ASPR-20**

AS	ADJUSTABLE SHELVES
CAC	CABLE ACCESS CAP
COM/2	COMMUNICATION OUTLET - DOUBLE
DHT	DISPENSER - HAND TOWEL
DS	DISPENSER - SOAP
GPO/2	GENERAL PURPOSE OUTLET - DOUBLE
LS/P	LIGHT SWITCH - PELMET TASK LIGHT
LVP	LAMINATED VERTICAL SUPPORT PANEL
PB	PINBOARD
SK4	FLOOR VINYL COVED SKIRTING
SS	STAINLESS STEEL
V1	VINYL FLOORING, STANDARD



PLAN



ELEVATION 1

REV	DESCRIPTION	DATE	BY	REV	DESCRIPTION	DATE	BY	REV	DESCRIPTION	DATE	BY
1	FIRST ISSUE	13.7.05	BJ								



THE UNIVERSITY OF
NEW SOUTH WALES

HPI

DESIGNED	APPROVED	SCALE(S)	ZONE(S)
AL	DB	1:50 in A3	
CAD FILE NAME		PAPER DRAWING ID	
ASPR		ASPR-20a	

NSW HFG STANDARD COMPONENTS

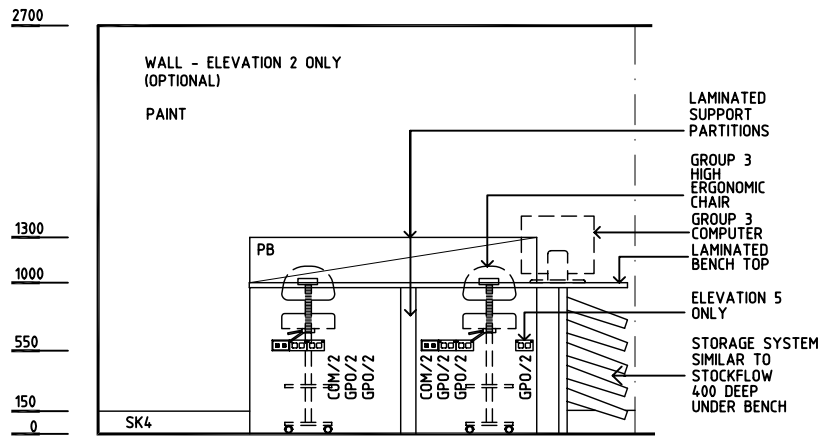
Room Layout Sheet

Room Name **Assembly / Preparation (Pharmacy), 20m2**

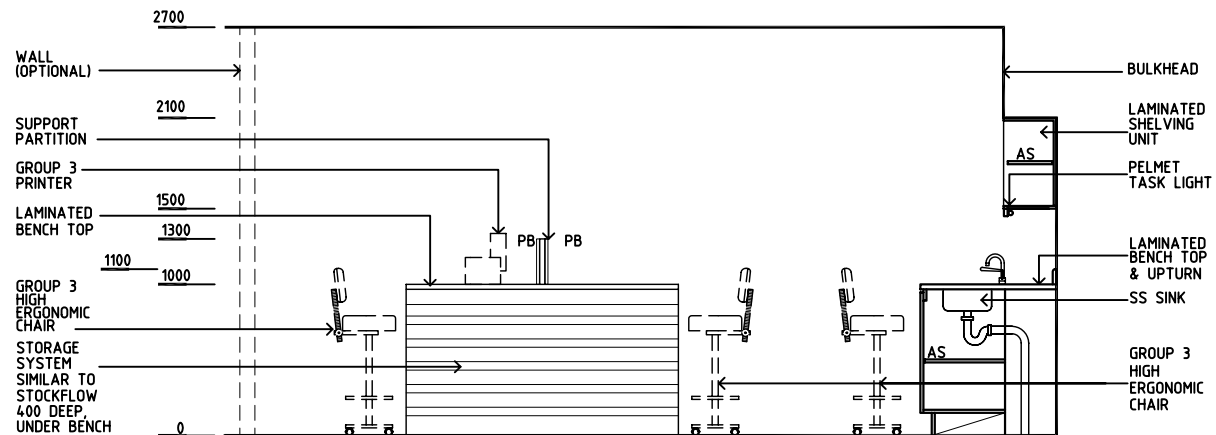
RLS Room Code **ASPR-20**

RDS Room Code **ASPR-20**

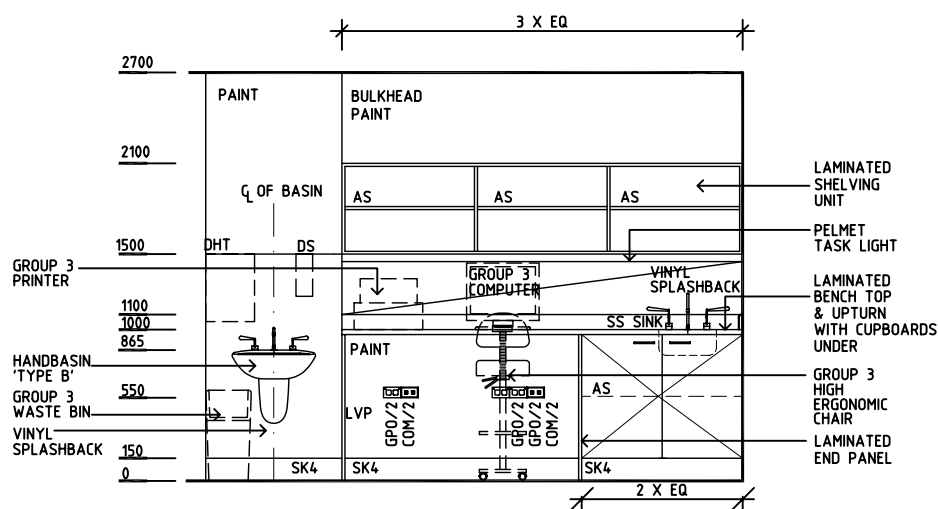
AS	ADJUSTABLE SHELVES
CAC	CABLE ACCESS CAP
COM/2	COMMUNICATION OUTLET - DOUBLE
DHT	DISPENSER - HAND TOWEL
DS	DISPENSER - SOAP
GPO/2	GENERAL PURPOSE OUTLET - DOUBLE
LS/P	LIGHT SWITCH - PELMET TASK LIGHT
LVP	LAMINATED VERTICAL SUPPORT PANEL
PB	PINBOARD
SK4	FLOOR VINYL COVERED SKIRTING
SS	STAINLESS STEEL
V1	VINYL FLOORING, STANDARD



ELEVATION 2 + 5 SIMILAR (MIRRORED)



ELEVATION 3



ELEVATION 4

REV	DESCRIPTION	DATE	BY	REV	DESCRIPTION	DATE	BY	REV	DESCRIPTION	DATE	BY
1	FIRST ISSUE	13.7.05	BJ								

DESIGNED	APPROVED	SCALE(S)	ZONE(S)
AL	DB	1:50 in A3	
CAD FILE NAME		PAPER DRAWING ID	
ASPR-20		ASPR-20b	