

NSW HFG STANDARD COMPONENTS

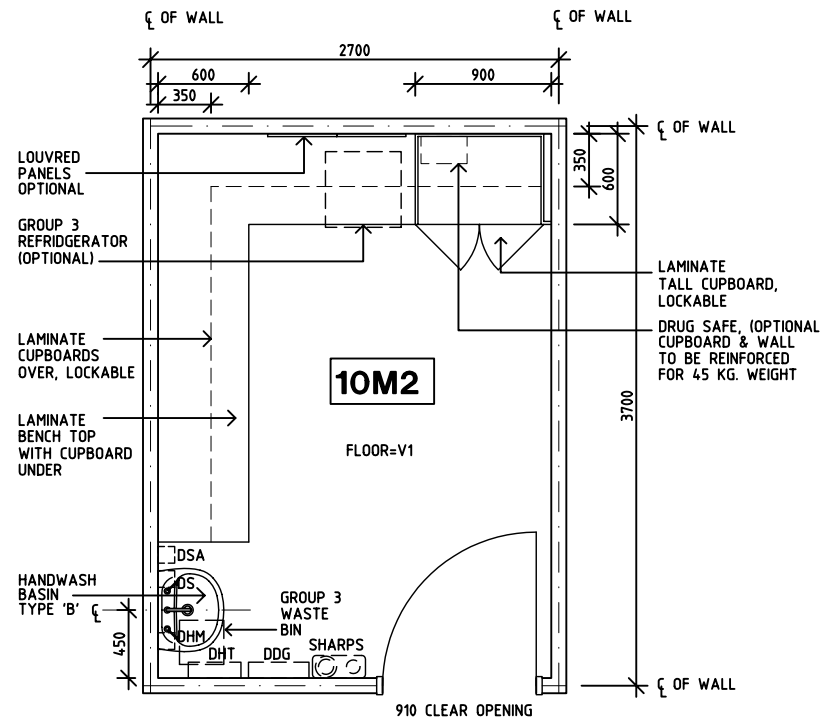
Room Layout Sheet

Room Name **Angiography Sterile Store/Set-up**

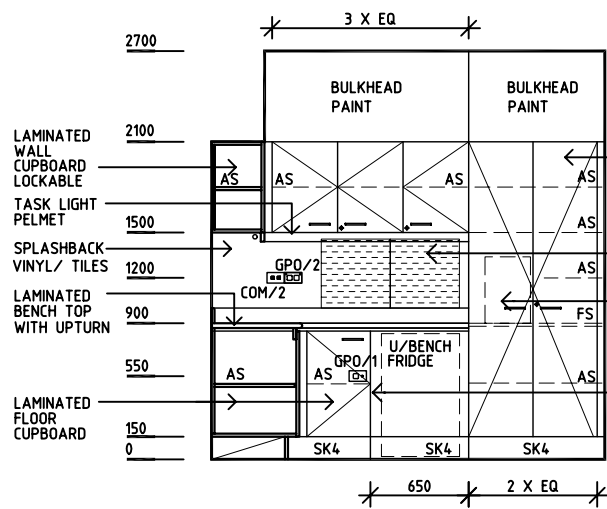
RLS Room Code **ANSS**

RDS Room Code **ANSS**

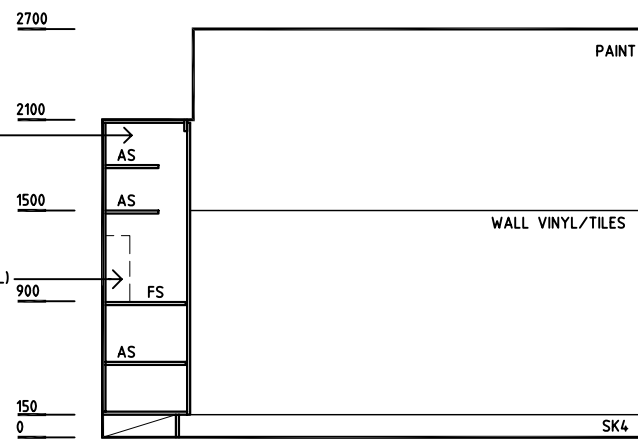
- AS ADJUSTABLE SHELF
- COM/2 COMMUNICATION OUTLET-DOUBLE
- DDG DISPENSER - DISPOSABLE GLOVES
- DHM DISPENSER - HAND MOISTURISER
- DHT DISPENSER - HAND TOWEL
- DP DOOR AND FRAME PROTECTION
- DS DISPENSER - SOAP
- DSA DISPENSER - SOAP ANTISEPTIC
- FS FIXED SHELF
- GPO/1 GENERAL PURPOSE OUTLET- SINGLE
- GPO/2 GENERAL PURPOSE OUTLET- DOUBLE
- LS LIGHT SWITCH
- LSP LIGHT SWITCH - PELMET TASK LIGHT
- OP OBSERVATION PANEL
- SK4 FLOOR VINYL COVERED SKIRTING
- SS STAINLESS STEEL
- V1 VINYL FLOORING, STANDARD



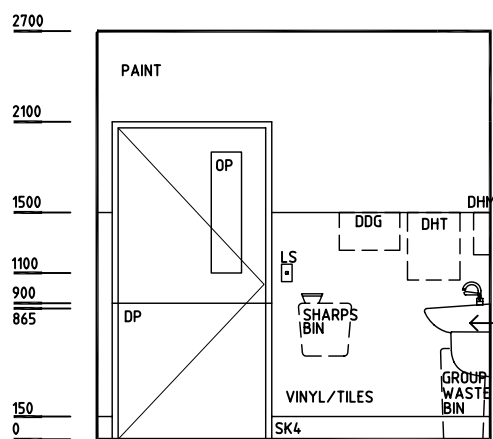
PLAN



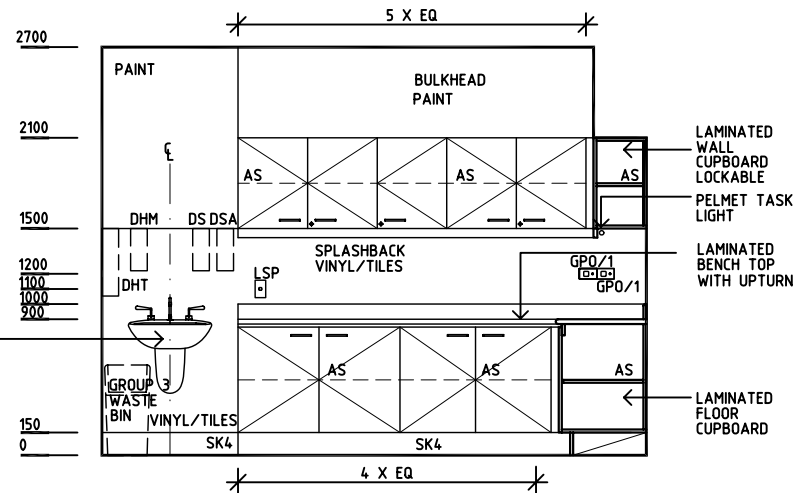
ELEVATION 1



ELEVATION 2



ELEVATION 3



ELEVATION 4

REV	DESCRIPTION	DATE	BY	REV	DESCRIPTION	DATE	BY	REV	DESCRIPTION	DATE	BY
1	FIRST ISSUE	1.7.05	HS								