

NSW HFG STANDARD COMPONENTS

Room Layout Sheet

Room Name **Angiography Procedure Room**

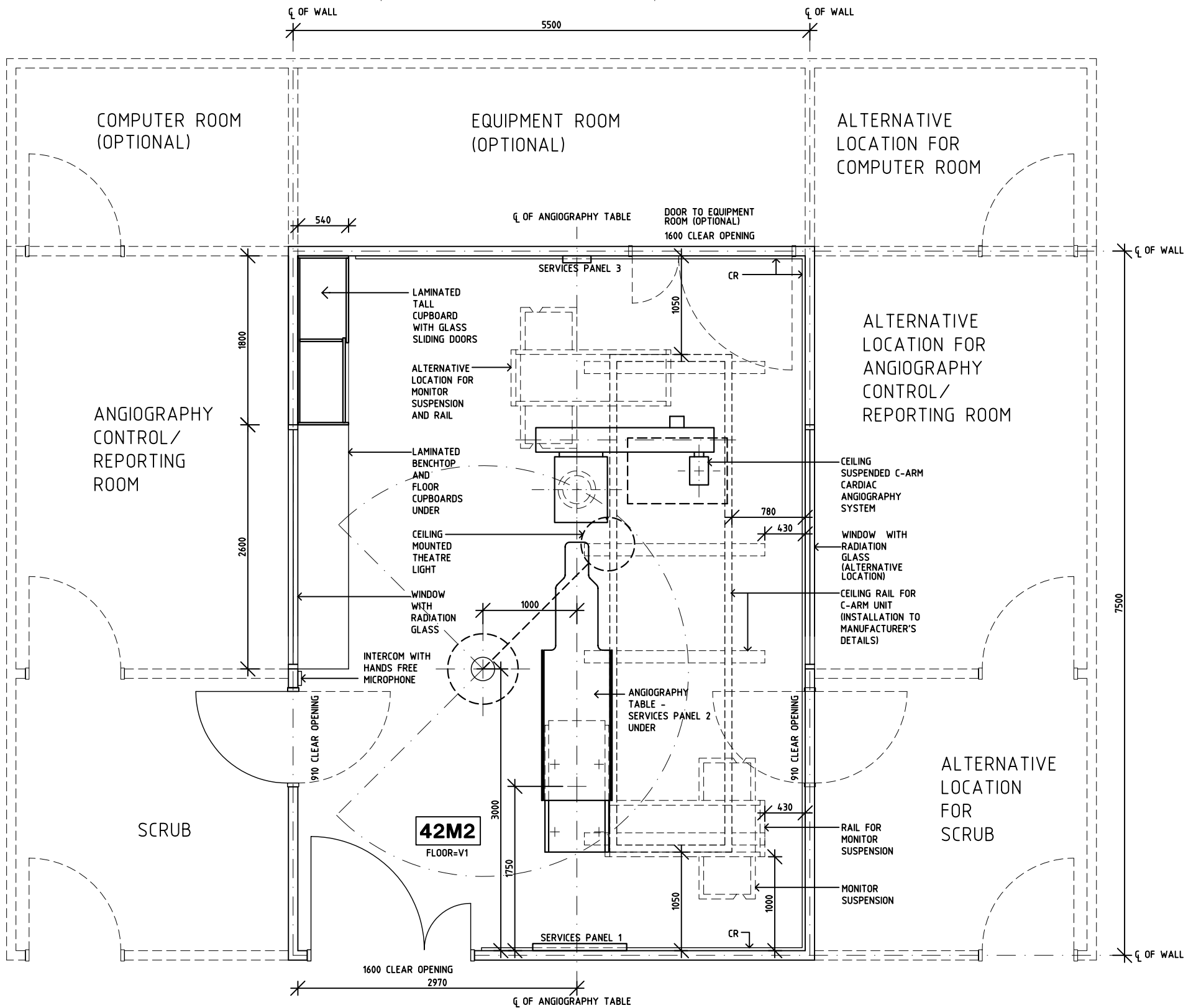
RLS Room Code **ANPR**

RDS Room Code **ANPR**

AS	ADJUSTABLE SHELF
COM/2	COMMUNICATION OUTLET - DOUBLE
CR	CRASH RAIL
DP	DOOR AND DOOR FRAME PROTECTION
EC	EMERGENCY CALL
FS	FIXED SHELF
GPO/1	GENERAL POWER OUTLET - SINGLE
GPO/1 EP	EMERGENCY POWER - SINGLE
GPO/2 EP	EMERGENCY POWER - DOUBLE
GPO/C	EMERGENCY POWER - CLEANER'S GPO OUTLET
GPO/S	SPECIAL POWER OUTLET - SINGLE
LS/R	LIGHT SWITCH - ROOM
LS/DD	LIGHT SWITCH - DOWNLIGHTS, DIMMER
MA	MEDICAL AIR
N2O	NITROUS OXIDE
NA	NURSE ASSIST CALL
O2	OXYGEN
OP	OBSERVATION PANEL
PC2	90mm PLASTERBOARD CORNICE - FLUSH
RCD	RESIDUAL CURRENT DEVICE
S	SUCTION
SC	SCAVENGE OUTLET
SK4	FLOOR VINYL COVED SKIRTING
V1	VINYL FLOORING STANDARD



SERVICES PANEL 1	GPO/1 x 6 GPO/1 EP x 6 GPO/S x 1 COM/2 x 1 RCD	SERVICES PANEL 2 (ON ANGIOGRAPHY TABLE)	O2 X 2 N2O X 1 MA X 1 S X 2 SC X 1	SERVICES PANEL 3	GPO/2 EP X 1 RCD EC NA
------------------	--	--	--	------------------	---------------------------------



PLAN

REV	DESCRIPTION	DATE	BY	REV	DESCRIPTION	DATE	BY	REV	DESCRIPTION	DATE	BY
1	FIRST ISSUE	15.7.05	HS								

DESIGNED	APPROVED	SCALE(S)	ZONE(S)
HS	DB	1:50 in A3	
CAD FILE NAME		PAPER DRAWING ID	
ANPR		ANPRa	

NSW HFG STANDARD COMPONENTS

Room Layout Sheet

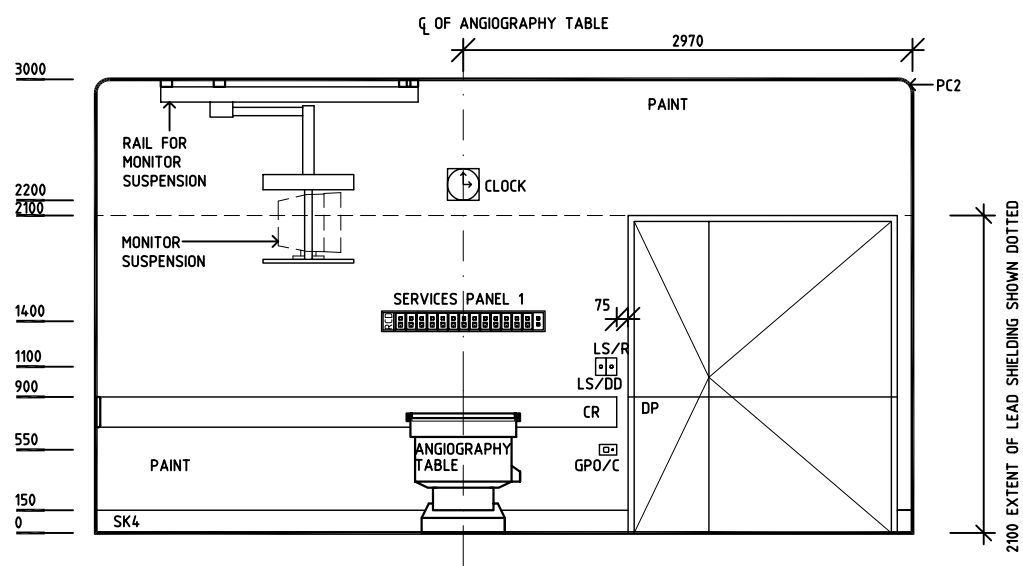
Room Name **Angiography Procedure Room**

RLS Room Code **ANPR**

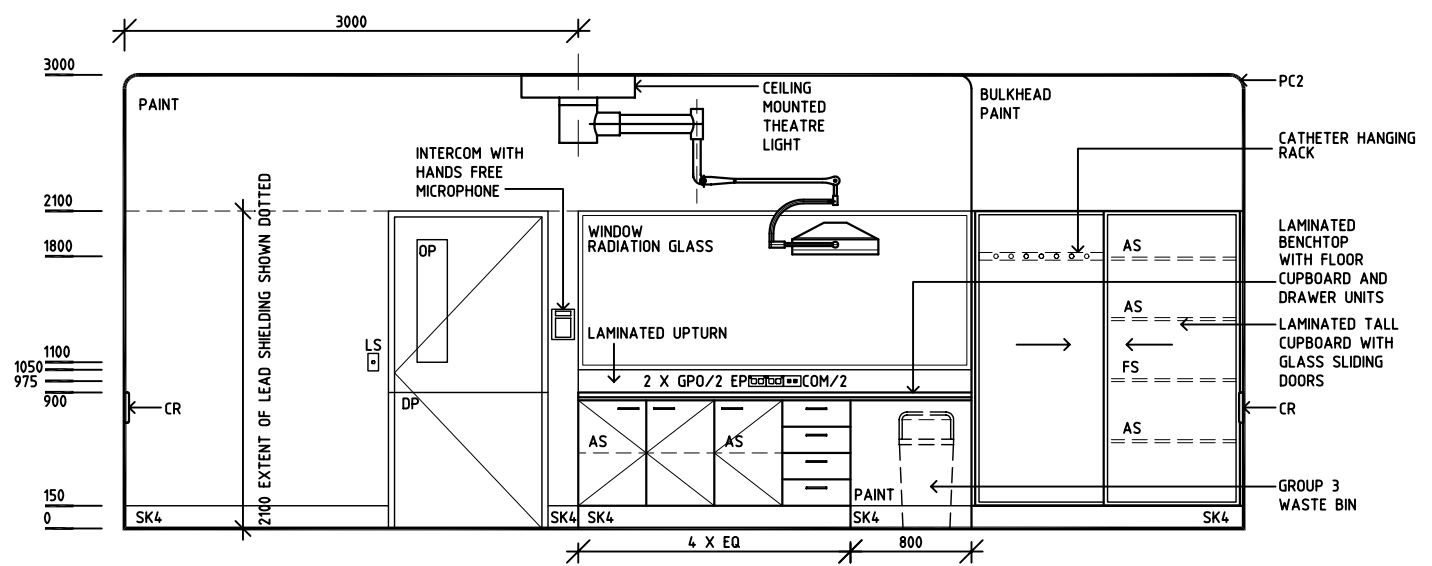
RDS Room Code **ANPR**

- AS ADJUSTABLE SHELF
- COM/2 COMMUNICATION OUTLET - DOUBLE
- CR CRASH RAIL
- DP DOOR AND DOOR FRAME PROTECTION
- EC EMERGENCY CALL
- FS FIXED SHELF
- GPO/1 GENERAL POWER OUTLET - SINGLE
- GPO/1 EP EMERGENCY POWER - SINGLE
- GPO/2 EP EMERGENCY POWER - DOUBLE
- GPO/C EMERGENCY POWER - CLEANER'S GPO OUTLET
- GPO/S SPECIAL POWER OUTLET - SINGLE
- LS/R LIGHT SWITCH - ROOM
- LS/DD LIGHT SWITCH - DOWNLIGHTS, DIMMER
- MA MEDICAL AIR
- N2O NITROUS OXIDE
- NA NURSE ASSIST CALL
- O2 OXYGEN
- OP OBSERVATION PANEL
- PC2 90mm PLASTERBOARD CORNICE - FLUSH
- RCD RESIDUAL CURRENT DEVICE
- S SUCTION
- SC SCAVENGE OUTLET
- SK4 FLOOR VINYL COVERED SKIRTING
- V1 VINYL FLOORING STANDARD

- SERVICES PANEL 1
 - GPO/1 x 6
 - GPO/1 EP x 6
 - GPO/S x 1
 - COM/2 x 1
 - RCD
- SERVICES PANEL 2 (ON ANGIOGRAPHY TABLE)
 - O2 x 2
 - N2O x 1
 - MA x 1
 - S x 2
 - SC x 1
- SERVICES PANEL 3
 - GPO/2 EP x 1
 - RCD
 - EC
 - NA



ELEVATION 3



ELEVATION 4

REV	DESCRIPTION	DATE	BY	REV	DESCRIPTION	DATE	BY	REV	DESCRIPTION	DATE	BY
1	FIRST ISSUE	15.7.05	HS								

NSW HFG STANDARD COMPONENTS

Room Layout Sheet

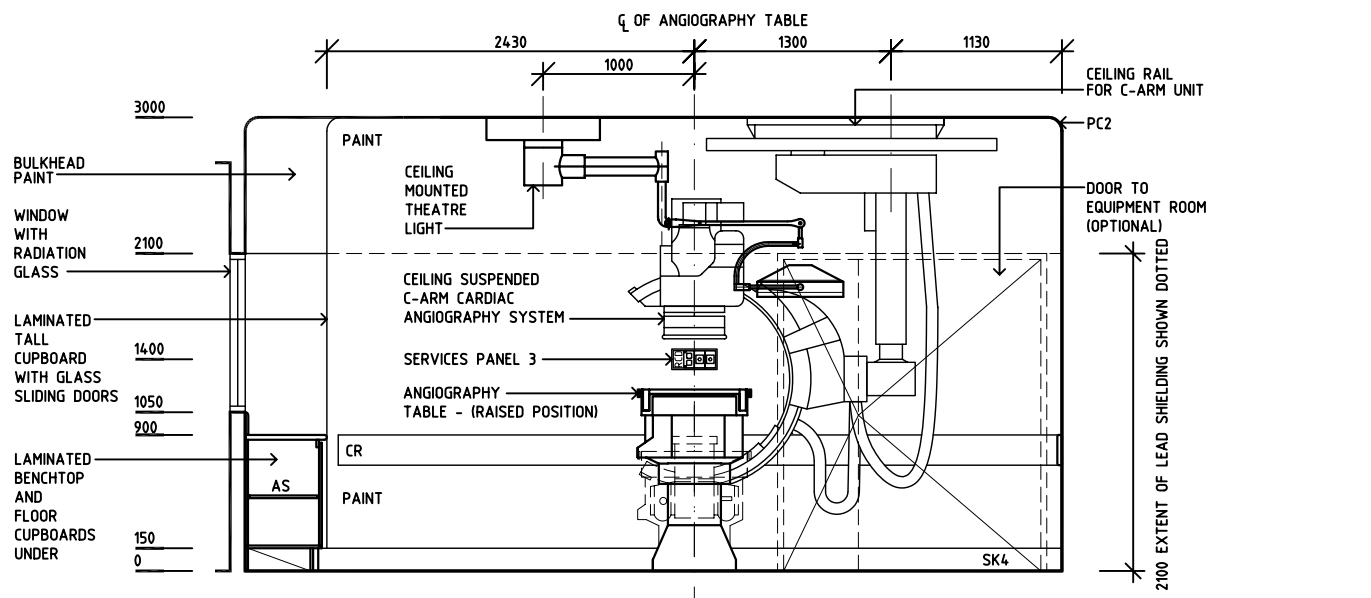
Room Name **Angiography Procedure Room**

RLS Room Code **ANPR**

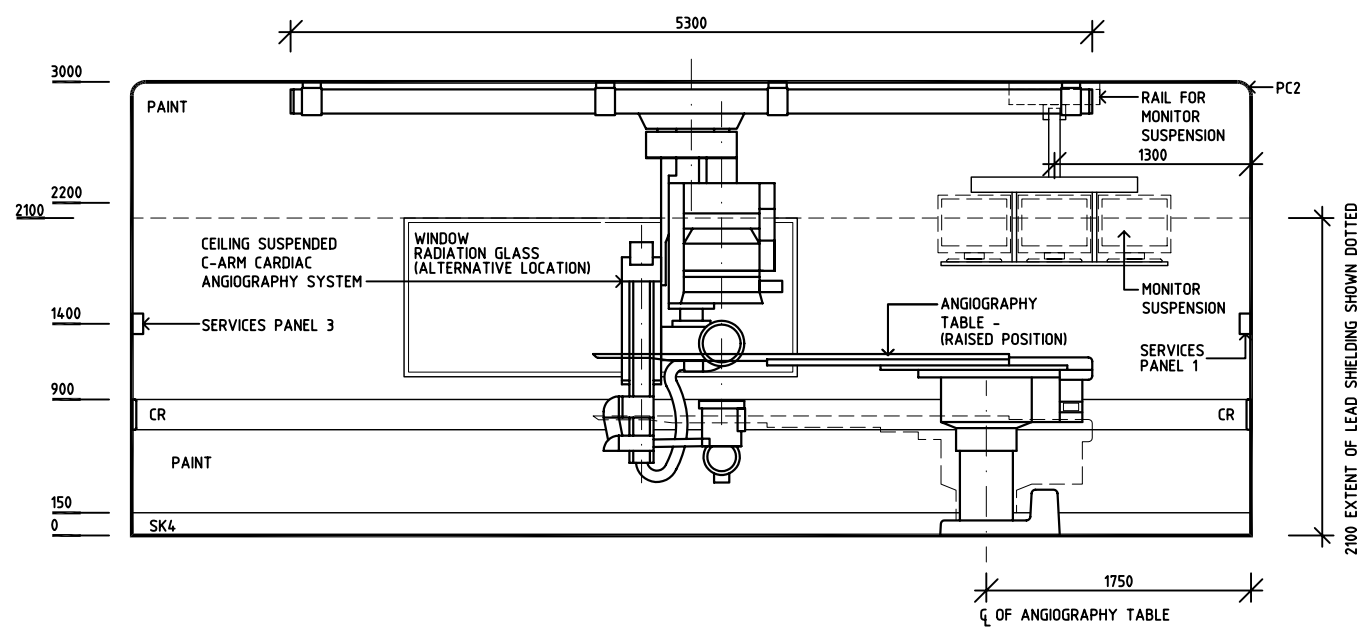
RDS Room Code **ANPR**

- AS ADJUSTABLE SHELF
- COM/2 COMMUNICATION OUTLET - DOUBLE
- CR CRASH RAIL
- DP DOOR AND DOOR FRAME PROTECTION
- EC EMERGENCY CALL
- FS FIXED SHELF
- GPO/1 GENERAL POWER OUTLET - SINGLE
- GPO/1 EP EMERGENCY POWER - SINGLE
- GPO/2 EP EMERGENCY POWER - DOUBLE
- GPO/C EMERGENCY POWER - CLEANER'S GPO OUTLET
- GPO/S SPECIAL POWER OUTLET - SINGLE
- LS/R LIGHT SWITCH - ROOM
- LS/DD LIGHT SWITCH - DOWNLIGHTS, DIMMER
- MA MEDICAL AIR
- N2O NITROUS OXIDE
- NA NURSE ASSIST CALL
- O2 OXYGEN
- OP OBSERVATION PANEL
- PC2 90mm PLASTERBOARD CORNICE - FLUSH
- RCD RESIDUAL CURRENT DEVICE
- S SUCTION
- SC SCAVENGE OUTLET
- SK4 FLOOR VINYL COVERED SKIRTING
- V1 VINYL FLOORING STANDARD

- SERVICES PANEL 1
GPO/1 x 6
GPO/1 EP x 6
GPO/S x 1
COM/2 x 1
RCD
- SERVICES PANEL 2
(ON ANGIOGRAPHY TABLE)
O2 x 2
N2O x 1
MA x 1
S x 2
SC x 1
- SERVICES PANEL 3
GPO/2 EP x 1
RCD
EC
NA



ELEVATION 1



ELEVATION 2

REV	DESCRIPTION	DATE	BY	REV	DESCRIPTION	DATE	BY	REV	DESCRIPTION	DATE	BY
1	FIRST ISSUE	15.7.05	HS								