

NSW HFG STANDARD COMPONENTS

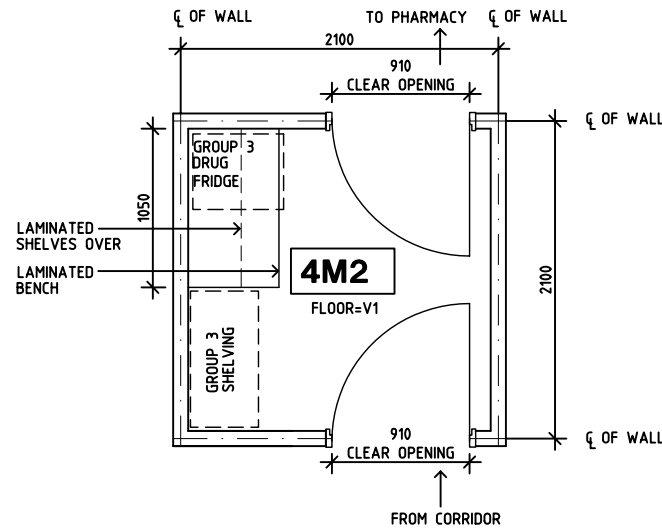
Room Layout Sheet

Room Name **After Hours Drug Store**

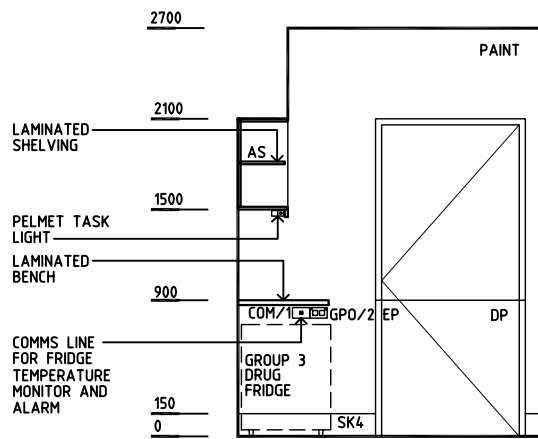
RLS Room Code **AHDR**

RDS Room Code **AHDR**

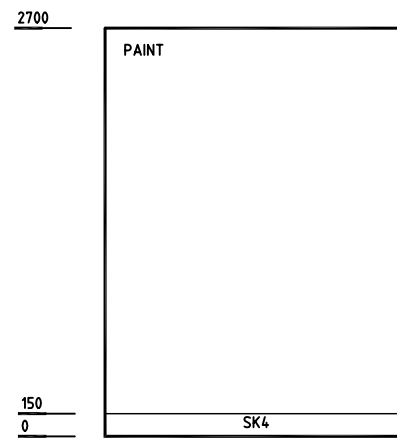
AS	ADJUSTABLE SHELVING
COM/1	COMMUNICATIONS OUTLET - SINGLE
DP	DOOR AND DOOR FRAME PROTECTION
GPO/2 EP	EMERGENCY POWER OUTLET, DOUBLE
LS	LIGHT SWITCH
LS/P	LIGHT SWITCH - PELMET TASK LIGHT
SK4	FLOOR VINYL COVERED SKIRTING
VI	VINYL FLOORING, STANDARD



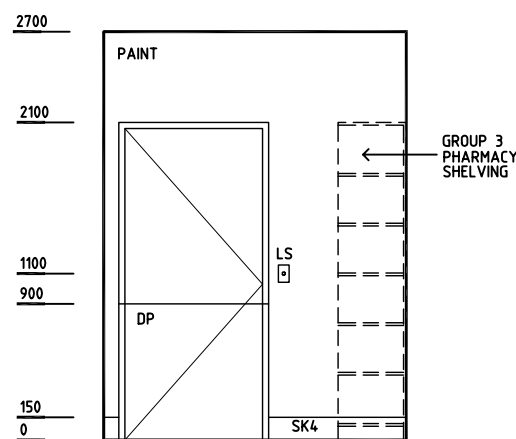
PLAN



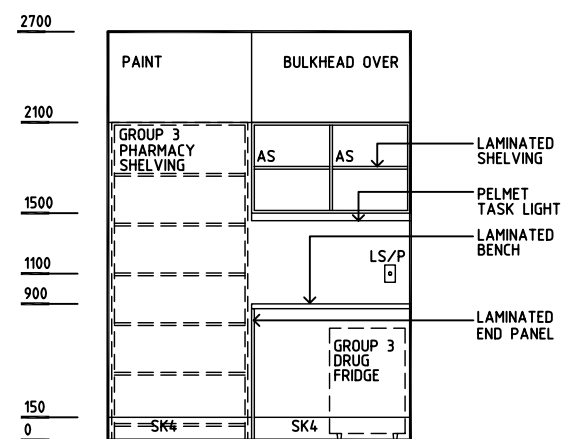
ELEVATION 1



ELEVATION 2



ELEVATION 3



ELEVATION 4

REV	DESCRIPTION	DATE	BY	REV	DESCRIPTION	DATE	BY	REV	DESCRIPTION	DATE	BY
1	FIRST ISSUE	30.6.05	CC								

DESIGNED CC	APPROVED DB	SCALE(S) 1:50 in A3	ZONE(S)
CAD FILE NAME AHDR		PAPER DRAWING ID AHDR	