

# NSW HFG STANDARD COMPONENTS

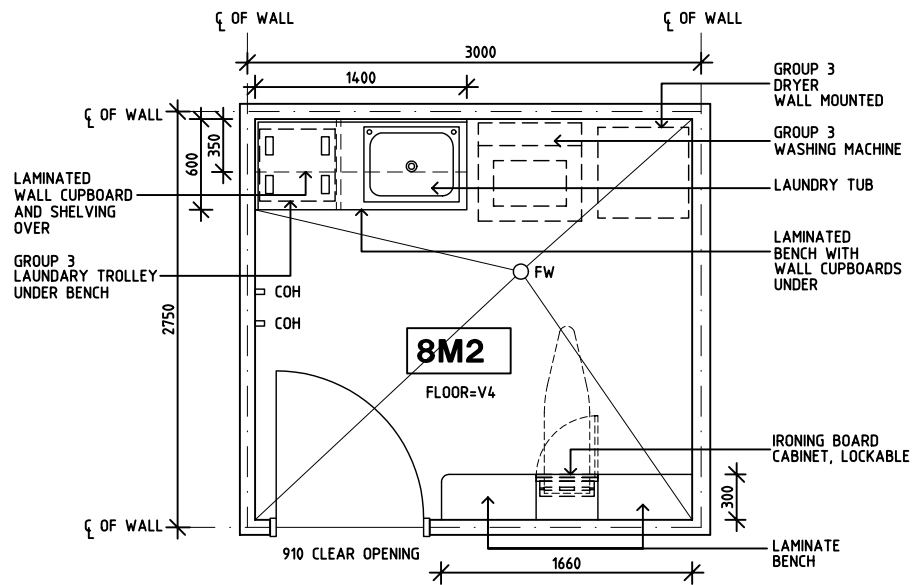
Room Layout Sheet

Room Name **ADL Laundry**

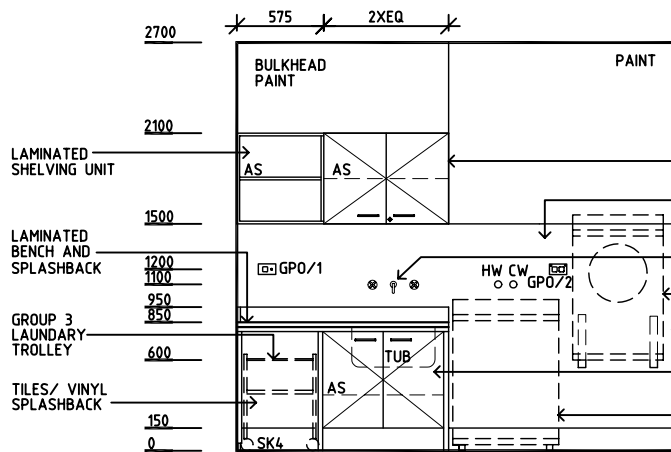
RLS Room Code **ADLL**

RDS Room Code **ADLL**

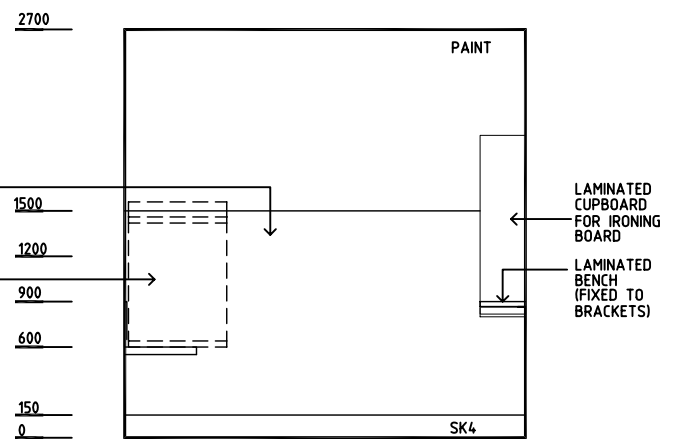
- AS ADJUSTABLE SHELF
- CW COLD WATER
- COH COAT HOOK
- DP DOOR AND FRAME PROTECTION
- FW FLOOR WASTE
- GPO/1 GENERAL PURPOSE OUTLET-SINGLE
- HW HOT WATER
- LS LIGHT SWITCH
- SK4 FLOOR VINYL COVERED
- V4 FLOOR VINYL SAFETY



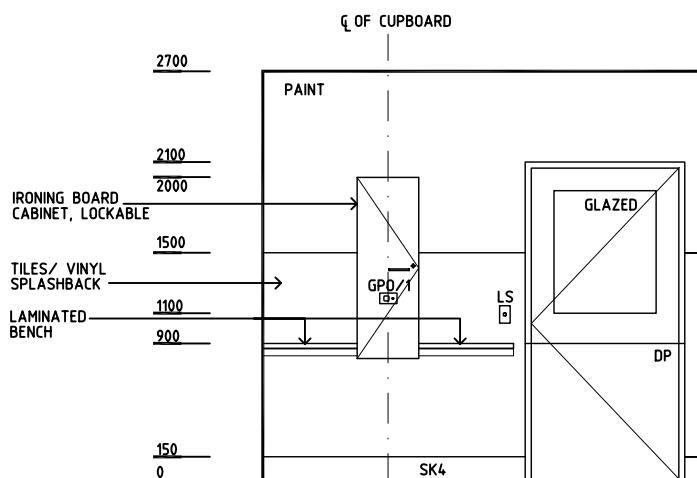
**PLAN**



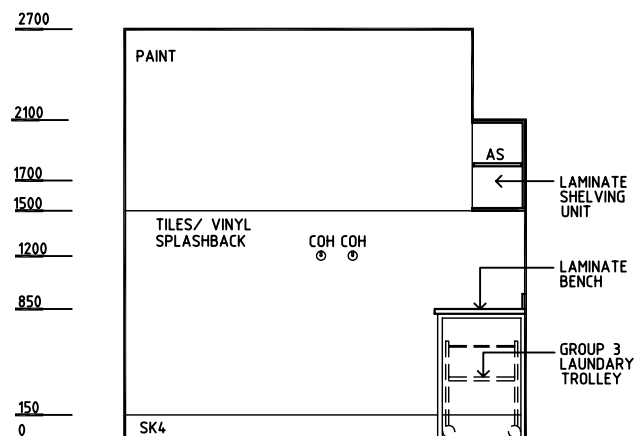
**ELEVATION 1**



**ELEVATION 2**



**ELEVATION 3**



**ELEVATION 4**

REV	DESCRIPTION	DATE	BY	REV	DESCRIPTION	DATE	BY	REV	DESCRIPTION	DATE	BY
1	FIRST ISSUE	13.7.05	BJ								