

NSW HFG STANDARD COMPONENTS

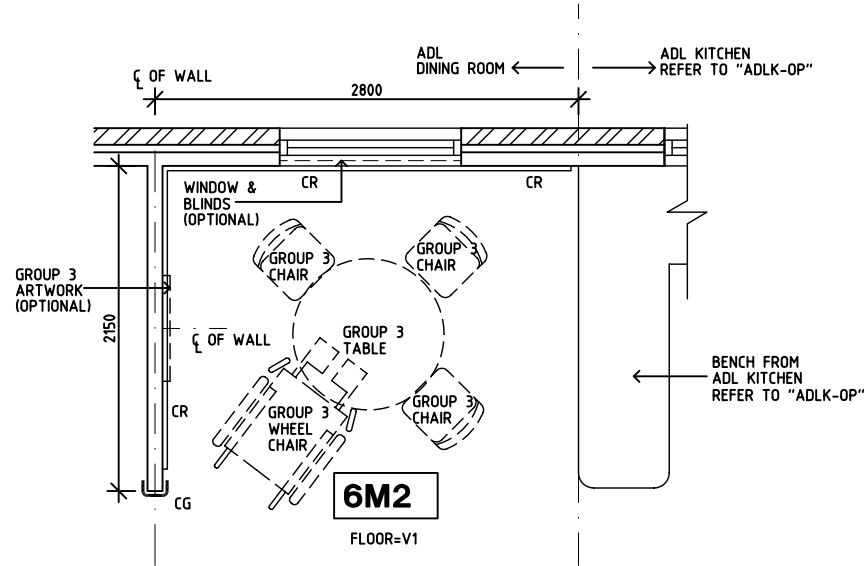
Room Layout Sheet

Room Name **ADL Dining Room**

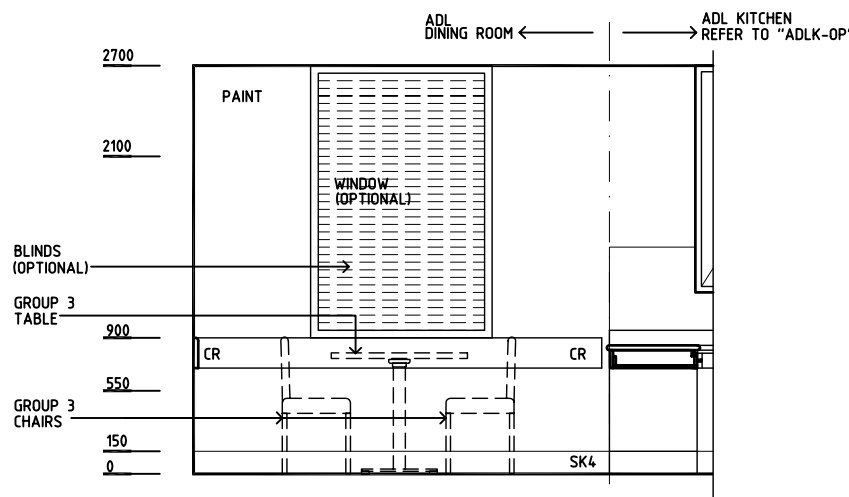
RLS Room Code **ADLD**

RDS Room Code **ADLD**

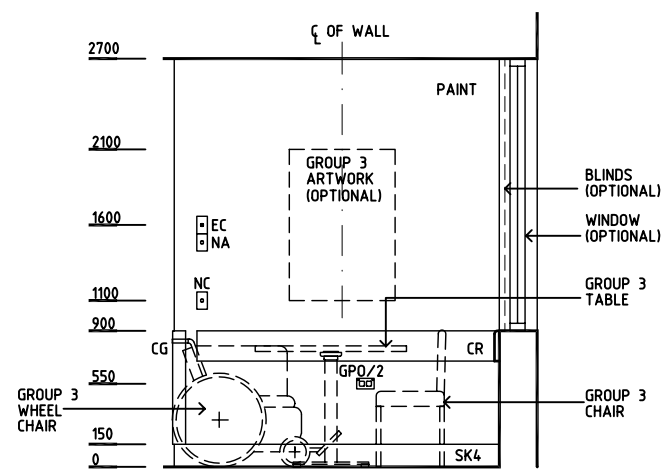
- CG CORNER GUARD
- CR CRASH RAIL
- EC EMERGENCY CALL
- GPO/2 GENERAL PURPOSE OUTLET-DOUBLE
- NC NURSE CALL
- NA NURSE ASSISTANCE
- SK4 FLOOR VINYL COVERED
- V1 VINYL FLOORING STANDARD



PLAN



ELEVATION 1



ELEVATION 2

REV	DESCRIPTION	DATE	BY	REV	DESCRIPTION	DATE	BY	REV	DESCRIPTION	DATE	BY
1	FIRST ISSUE	1.7.05	HS								

DESIGNED	APPROVED	SCALE(S)	ZONE(S)
CC/BJ	DB	1:50 in A3	
CAD FILE NAME ADLD		PAPER DRAWING ID ADLD	