

NSW HFG STANDARD COMPONENTS

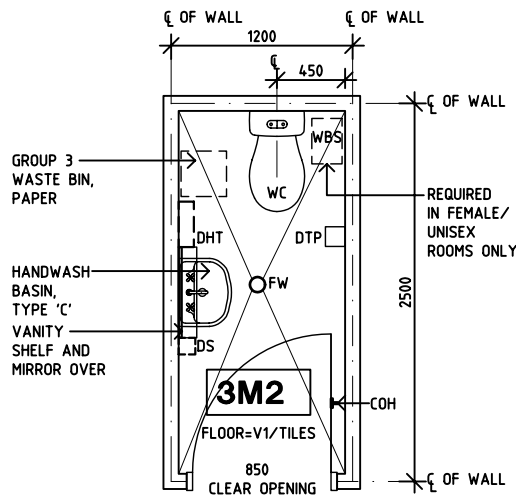
Room Layout Sheet

Room Name **Toilet - Public, 3m2**

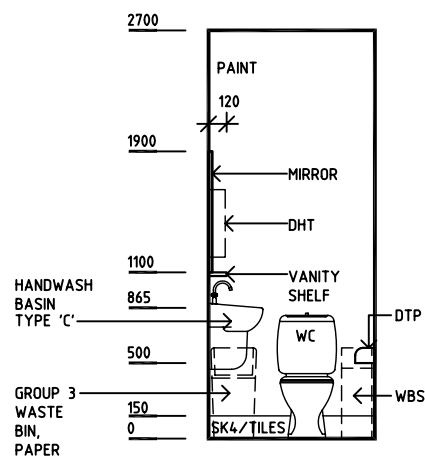
RLS Room Code **WCPU-3**

RDS Room Code **WCPU-3**

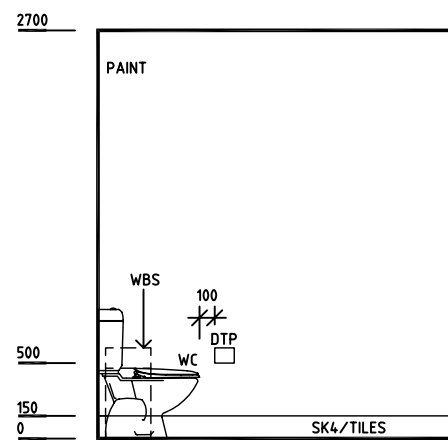
- COH COAT HOOK
- DHT DISPENSER - HAND TOWEL
- DS DISPENSER - SOAP
- DTP DISPENSER - TOILET PAPER
- FW FLOOR WASTE
- GPO/2 GENERAL POWER OUTLET- DOUBLE
- LS LIGHT SWITCH
- SK4 FLOOR VINYL COVERED SKIRTING
- V1 FLOOR VINYL, STANDARD
- WBS WASTE BIN, SANITARY
- WC WATER CLOSET



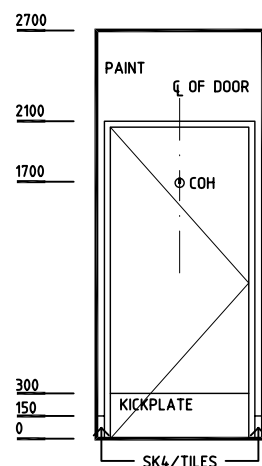
PLAN



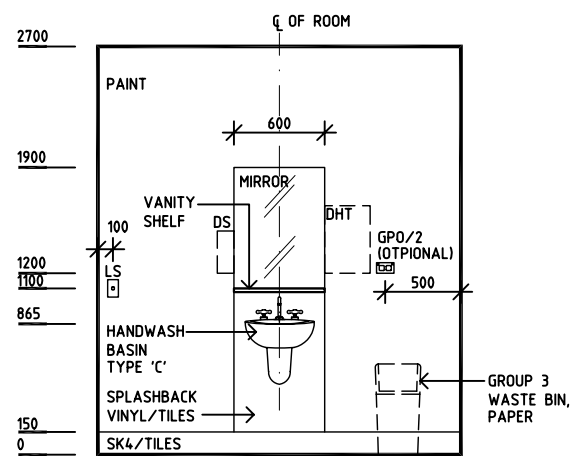
ELEVATION 1



ELEVATION 2



ELEVATION 3



ELEVATION 4

REV	DESCRIPTION	DATE	BY	REV	DESCRIPTION	DATE	BY	REV	DESCRIPTION	DATE	BY
1	FIRST ISSUE	10.12.03	AA								
2	GENERAL REVISIONS, INCLUDING NAME CHANGE	1.6.05	HS								