

NSW HFG STANDARD COMPONENTS

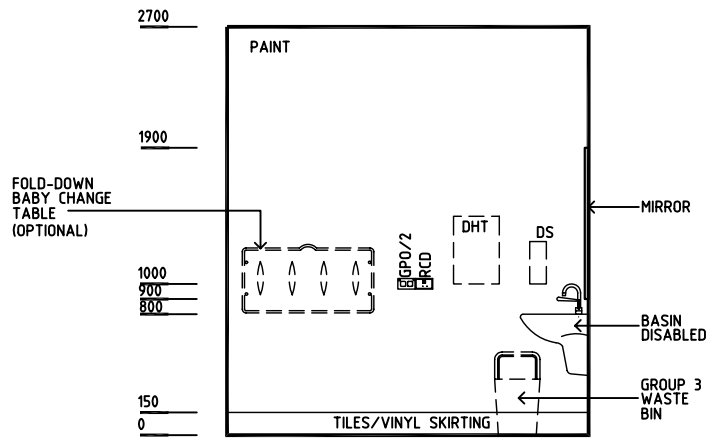
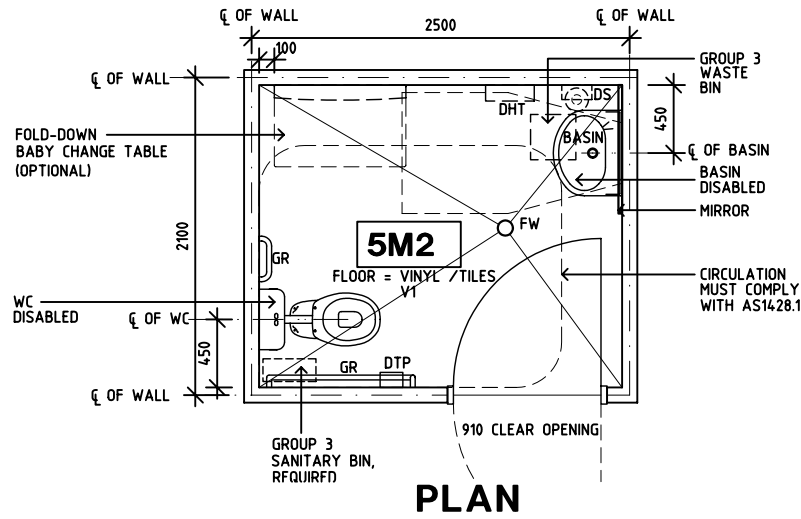
Room Layout Sheet

Room Name **Toilet - Disabled**

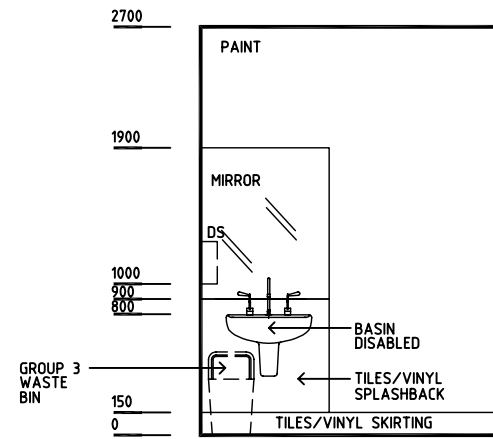
RLS Room Code **WCDS**

RDS Room Code **WCDS**

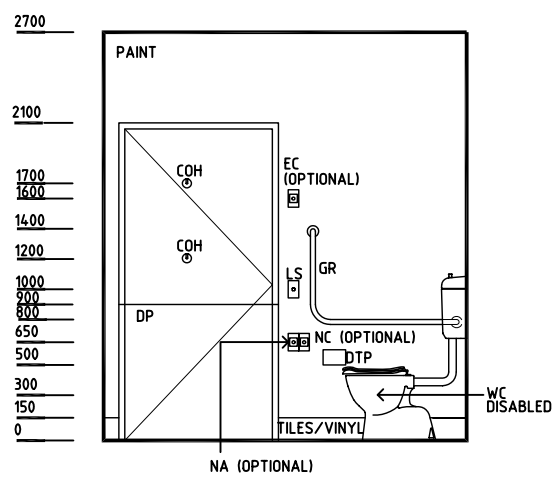
- COH COAT HOOK
- DHT DISPENSER - HAND TOWEL
- DP DOOR AND DOOR FRAME PROTECTION
- DS DISPENSER - SOAP
- DTP DISPENSER - TOILET PAPER
- EC EMERGENCY CALL (OPTIONAL)
- FW FLOOR WASTE
- GPO/2 GENERAL POWER OUTLET - DOUBLE
- GR GRAB RAIL
- LS LIGHT SWITCH
- NA NURSE ASSIST CALL (OPTIONAL)
- NC PATIENT/NURSE CALL (OPTIONAL)
- V1 FLOOR VINYL - STANDARD



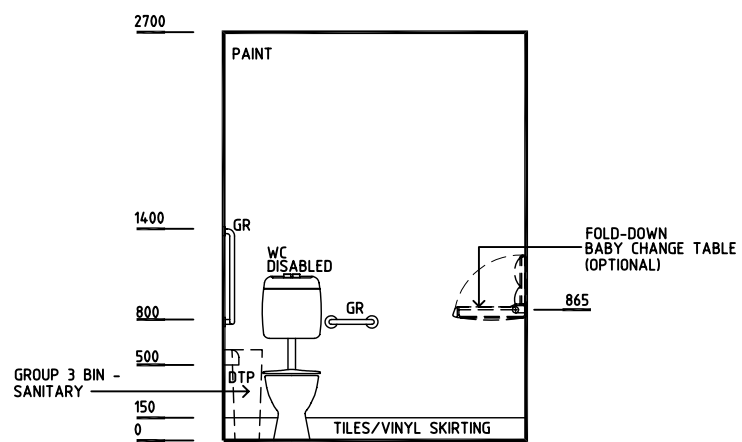
ELEVATION 1



ELEVATION 2



ELEVATION 3



ELEVATION 4

REV	DESCRIPTION	DATE	BY	REV	DESCRIPTION	DATE	BY	REV	DESCRIPTION	DATE	BY
1	FIRST ISSUE	15.12.03	AA								
2	GENERAL REVISIONS TO COMPLY WITH AS1428	27.5.05	BJ								
3	GENERAL REVISIONS	27.5.05	EH								